

BAFFLE INSTALLATION INSTRUCTIONS:

1. INSTALL BOTH INTAKE AND EXHAUST SIDES OF BAFFLE ON FRONT POSTS OF ENCLOSURE

2. BOTH BAFFLES MUST BE ALIGNED VERTICALLY AT THE SAME RU PLACEMENT OF EQUIPMENT

- THE **LEFT** SIDE BAFFLE IS THE **EXHAUST** SIDE (CLOSED FACE TOWARD THE FRONT OF ENCLOSURE)
- THE **RIGHT** SIDE BAFFLE IS THE **INTAKE** SIDE (CLOSED FACE TOWARD THE REAR OF ENCLOSURE)

3. EXHAUST BAFFLE (LEFT SIDE):

A. SLIDE EXHAUST BAFFLE ASSEMBLY INTO ENCLOSURE AT DESIRED RU TO THE LEFT OF YOUR SWITCH

B. USE QTY. 2 PLASTIC RIVETS TO ATTACH THE **CLOSED** FACE OF THE BAFFLE TO THE **FRONT, OUTSIDE** OF THE FRONT VERTICAL POST

4. INTAKE BAFFLE (RIGHT SIDE):

A. SEE 4,A : ADJUSTABLE REAR COVER INSTALL, ABOVE

B. SLIDE INTAKE BAFFLE ASSEMBLY INTO ENCLOSURE AT DESIRED RU TO THE RIGHT OF YOUR SWITCH

C. USE QTY. 4 PLASTIC RIVETS TO ATTACH THE **OPEN** SIDE OF BAFFLE TO THE **FRONT** AND **SIDE** OF THE FRONT VERTICAL POST

D. AFTER BAFFLE IS SECURED IN CORRECT LOCATON, REACH INTO INTAKE OF BAFFLE FROM FRONT AND SLIDE ADJUSTABLE REAR COVER TO BACK ACCOMDATE FOR THE DEPTH OF YOUR SPECIFIC SWITCH

E. TIGHTEN BOTH WING NUTS TO SECURE ADJUSTABLE REAR COVER

5. INSTALL TOP /BOTTOM COVERS ON BOTH SIDES:

A. ALIGN TOP/BOTTOM COVER SECTION BEHIND FRONT POSTS AND USE 3 PLASTIC RIVETS TO ATTACH

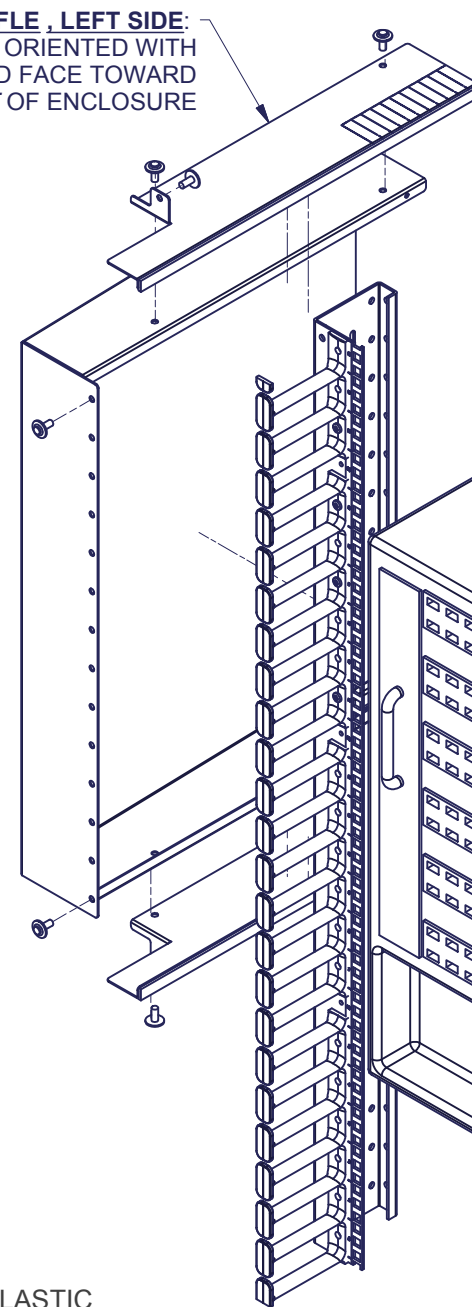
- INSTALL QTY. 1 PLASTIC RIVET INTO REAR(INSIDE) FACE OF VERTICAL POST
- INSTALL QTY. 2 PLASTIC RIVETS INTO TOP/BOTTOM FACE OF BAFFLE PER SECTION

B. WHEN INSTALLING, NOTE REMOVEABLE NOTCHES REAR OF COVERS. COVERS MAY NEED TO BE NOTCHED TO ACCOMDATE FOR YOUR SPECIFIC REAR RAIL PLACEMENT

C. REPEAT STEP A IN ON THE TOP AND BOTTOM, FOR BOTH INTAKE AND EXHAUST BAFFLES

** NOTE: IF DESIRED RU IS WITHIN THE BOTTOM 3 RU OF THE ENCLOSURE, BOTTOM COVERS MAY NEED TO BE RESTING IN LOCATION PRIOR TO MAIN INTAKE/ EXHAUST BAFFLE BEING INSTALLED

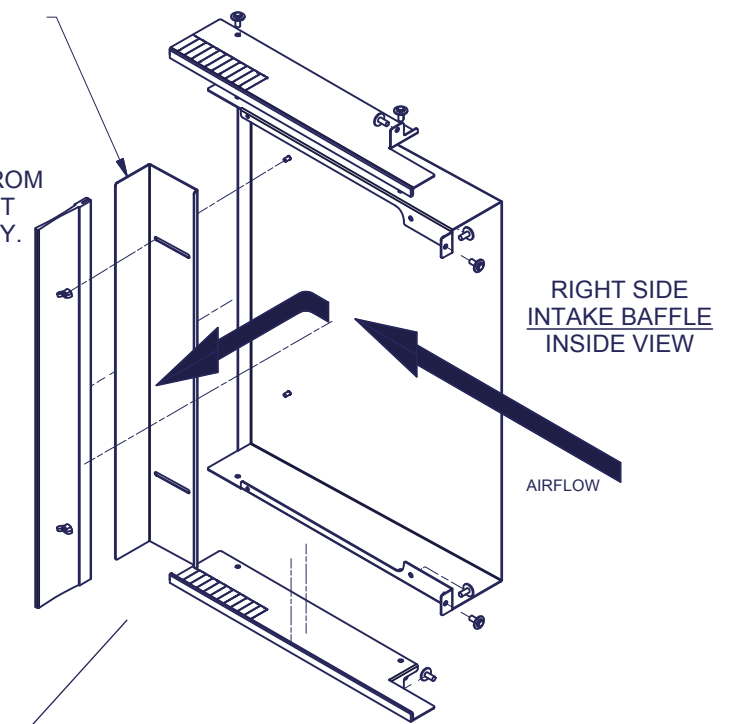
EXHAUST BAFFLE , LEFT SIDE:
BAFFLE ORIENTED WITH CLOSED FACE TOWARD FRONT OF ENCLOSURE



4, A: ADJUSTABLE REAR COVER, INTAKE ASSEMBLY

- PRIOR TO INSTALLING INTAKE BAFFLE INTO RACK, INSTALL ADJUSTABLE REAR COVER **LOOSELY** OVER STUDS ON INSIDE OF INTAKE MAIN BAFFLE BODY
- INSTALL BRUSH ONTO ADJUSTABLE REAR COVER

** NOTE: IF DESIRED MOUNTING RU LIES WITHIN THE 23rd RU (FROM BOTTOM) THE BRUSH MAY NEED TO BE NOTCHED TO ACCOUNT FOR MIDDLE RAIL SUPPORT HORIZONTAL. TRIM AS NECESSARY.



INTAKE BAFFLE , RIGHT SIDE:
BAFFLE ORIENTED WITH CLOSED FACE TOWARD REAR OF ENCLOSURE

