

# INSTRUCTIONS TO INSTALL ENSAB14D BAFFLE IN EN3242 ENCLOSURE:

1. BAFFLE MUST BE ALIGNED VERTICALLY AT THE SAME RU PLACEMENT OF EQUIPMENT
  - THE **LEFT** SIDE BAFFLE IS THE **EXHAUST** SIDE (CLOSED FACE TOWARD THE FRONT OF ENCLOSURE)
  - THE **RIGHT** SIDE BAFFLE IS THE **INTAKE** SIDE (CLOSED FACE TOWARD THE REAR OF ENCLOSURE)

## 2. EXHAUST BAFFLE (LEFT SIDE):

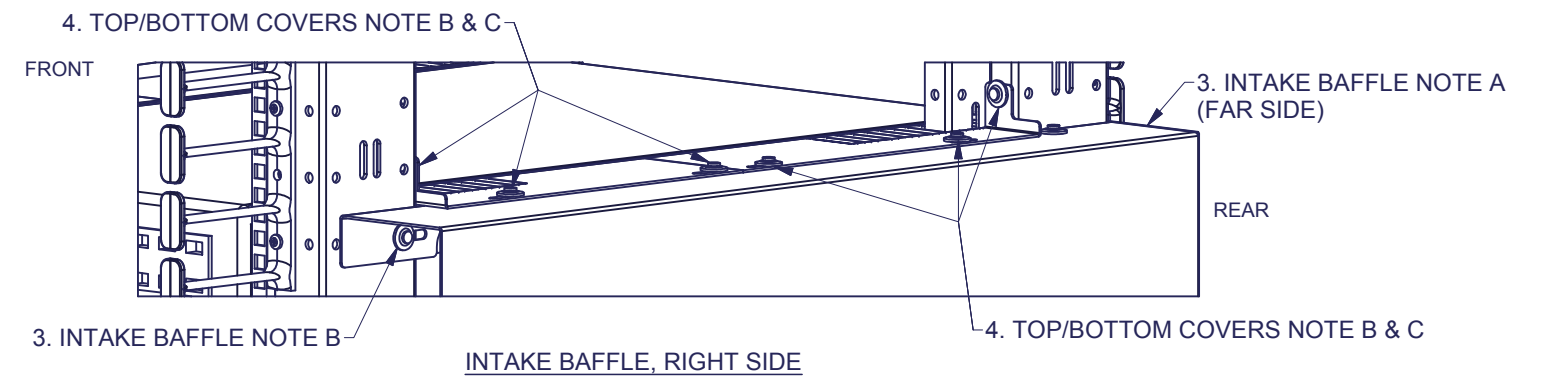
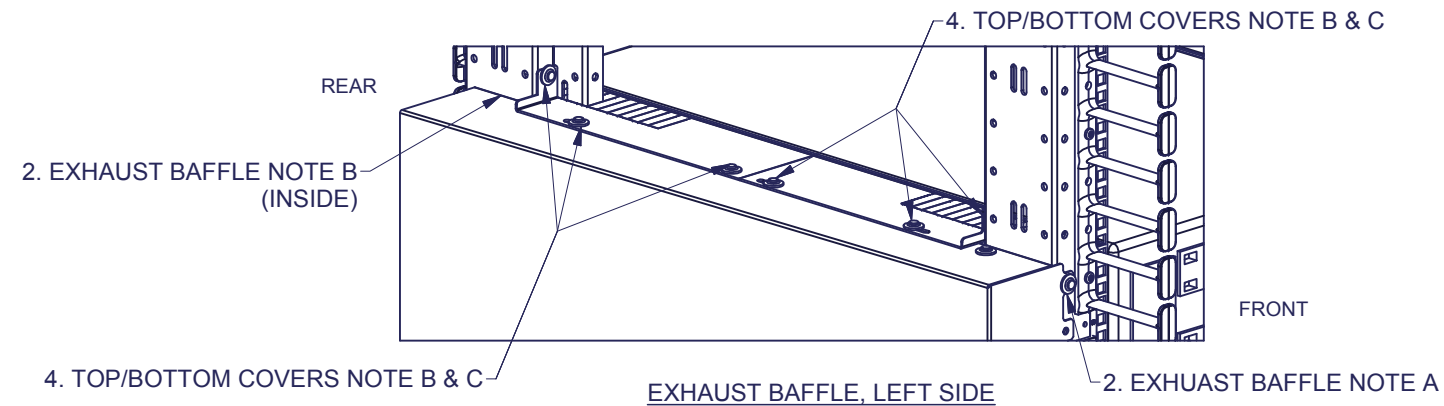
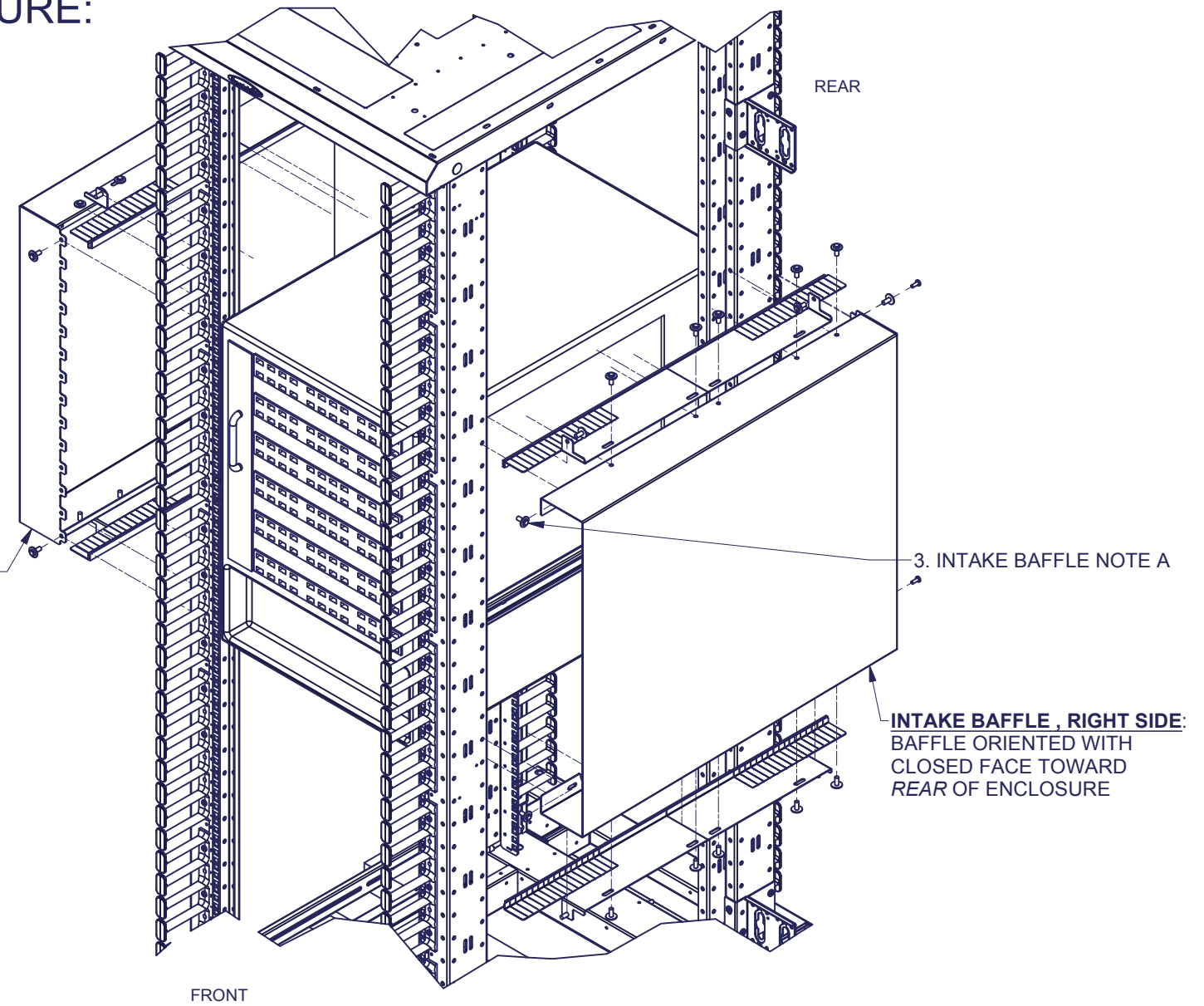
- A. USE QTY. 2 PLASTIC RIVETS TO ATTACH THE **CLOSED** FACE OF THE BAFFLE TO THE **FRONT, OUTSIDE** OF THE FRONT VERTICAL POST
- B. USE QTY. 2 PLASTIC RIVETS TO FIX THE **OPPOSITE, OPEN** SIDE OF THE BAFFLE TO THE **SIDE** OF THE REAR VERTICAL POST

## 3. INTAKE BAFFLE (RIGHT SIDE):

- A. USE QTY. 2 PLASTIC RIVETS TO ATTACH THE **OPEN** SIDE OF BAFFLE TO THE **SIDE** OF THE FRONT VERTICAL POST
- B. USE QTY. 2 #10-32 SCREWS TO FIX THE **CLOSED** FACE OF THE BAFFLE TO THE **OUTSIDE FACE** OF THE REAR VERTICAL POST
  - NOTE: PLASTIC FINGERS MAY NEED TO BE REMOVED ON THE RIGHT REAR POST AND THEN RE-INSTALLED WITH #10-32 SCREWS AFTER BAFFLE IS IN LOCATION

## 4. INSTALL TOP /BOTTOM COVERS ON BOTH SIDES:

- A. BREAK MIDDLE SECTION OUT FROM EACH TOP/ BOTTOM BAFFLE COVER CREATING 8 SECTIONS, ALL WILL BE SYMMETRICAL (42"D EN ENCLOSURES ONLY)
- B. PIVOT TOP/BOTTOM COVER SECTION BEHIND FRONT POSTS AND USE 3 PLASTIC RIVETS TO ATTACH
  - INSTALL QTY. 1 PLASTIC RIVET INTO REAR(INSIDE) FACE OF VERTICAL POST
  - INSTALL QTY. 2 PLASTIC RIVETS INTO TOP/BOTTOM FACE OF BAFFLE PER SECTION
- C. REPEAT STEP 2 IN TWO PLACES ON THE TOP AND BOTTOM, FOR BOTH INTAKE AND EXHAUST BAFFLES
  - NOTE: WHEN INSTALLING (4) SECTIONS IN THE REAR OF ENCLOSURE, SECTIONS MAY NEED TO NOTCHED TO ACCOMODATE FOR YOUR SPECIFIC RAIL PLACEMENT



# INSTRUCTIONS TO INSTALL ENSAB14D BAFFLE IN EN4048 ENCLOSURE:

1. BAFFLE MUST BE ALIGNED VERTICALLY AT THE SAME RU PLACEMENT OF EQUIPMENT
  - THE **LEFT** SIDE BAFFLE IS THE **EXHAUST** SIDE (CLOSED FACE TOWARD THE FRONT OF ENCLOSURE)
  - THE **RIGHT** SIDE BAFFLE IS THE **INTAKE** SIDE (CLOSED FACE TOWARD THE REAR OF ENCLOSURE)

## 2. EXHAUST BAFFLE (LEFT SIDE):

- A. USE QTY. 2 PLASTIC RIVETS TO ATTACH THE **CLOSED** FACE OF THE BAFFLE TO THE **REAR INSIDE FACE** OF THE FRONT VERTICAL POST
- B. USE QTY. 2 PLASTIC RIVETS TO FIX THE **OPPOSITE, OPEN** SIDE OF THE BAFFLE TO THE **SIDE** OF THE REAR VERTICAL POST

## 3. INTAKE BAFFLE (RIGHT SIDE):

- A. USE QTY. 2 PLASTIC RIVETS TO ATTACH THE **OPEN** SIDE OF BAFFLE TO THE **SIDE** OF THE FRONT VERTICAL POST
- B. USE QTY. 2 PLASTIC RIVETS TO FIX THE **CLOSED** FACE OF THE BAFFLE TO THE **INSIDE FACE** OF THE REAR VERTICAL POST

## 4. INSTALL TOP /BOTTOM COVERS ON BOTH SIDES:

- A. **DO NOT** BREAK MIDDLE SECTION OUT FROM ANY TOP/ BOTTOM BAFFLE COVERS  
ALL PARTS ARE SYMMETRICAL
- B. PIVOT TOP/BOTTOM COVER BETWEEN FRONT AND REAR POSTS AND USE 5 PLASTIC RIVETS PER COVER TO INSTALL INTO PLACE
  - INSTALL QTY. 2 PLASTIC RIVET INTO REAR(INSIDE) FACE OF VERTICAL POSTS
  - INSTALL QTY. 3 PLASTIC RIVETS INTO TOP/BOTTOM FACE OF BAFFLE
- C. REPEAT STEP 2 ON THE TOP AND BOTTOM OF EACH INTAKE AND EXHAUST BAFFLES
  - NOTE: THE REAR PORTION OF ALL COVERS MAY NEED TO BE NOTCHED TO ACCOMMODATE FOR YOUR SPECIFIC RAIL PLACEMENT

**EXHAUST BAFFLE, LEFT SIDE:**  
BAFFLE ORIENTED WITH CLOSED FACE TOWARD FRONT OF ENCLOSURE

2. EXHAUST SIDE NOTE A (INSIDE)

**INTAKE BAFFLE, RIGHT SIDE:**  
BAFFLE ORIENTED WITH CLOSED FACE TOWARD REAR OF ENCLOSURE

