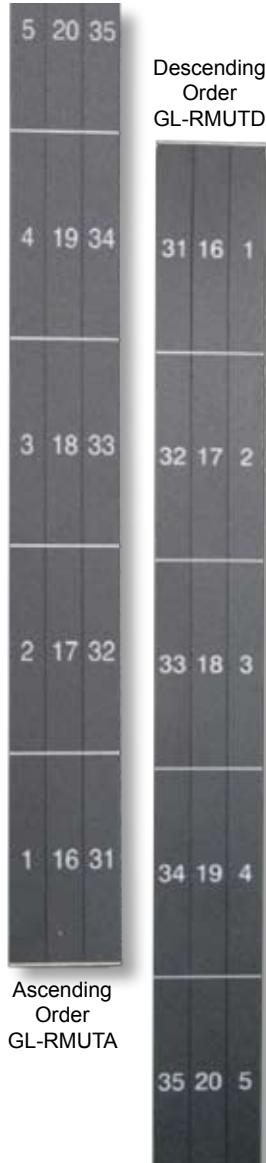




RMU Labels



(Photo represents only a small portion of the actual RMU Label)

RMU Label Instructions
(Part #'s GL-RMUTA and GL-RMUTD)

Installation Instructions

Your RMU label comes in three sections.

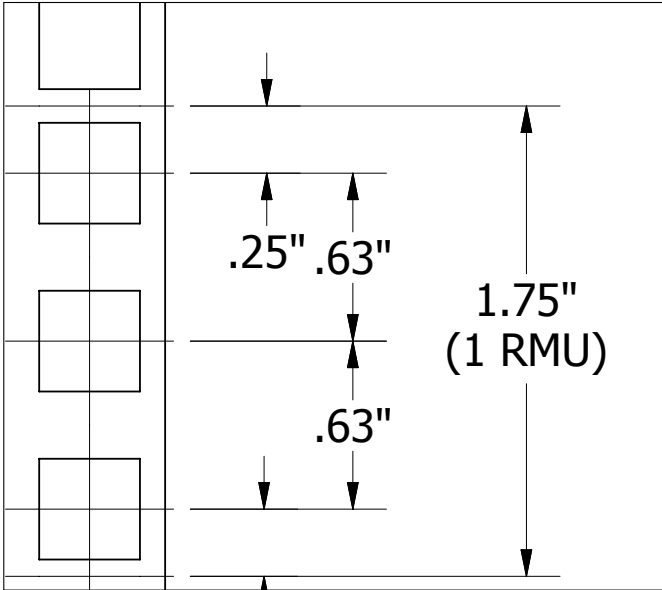
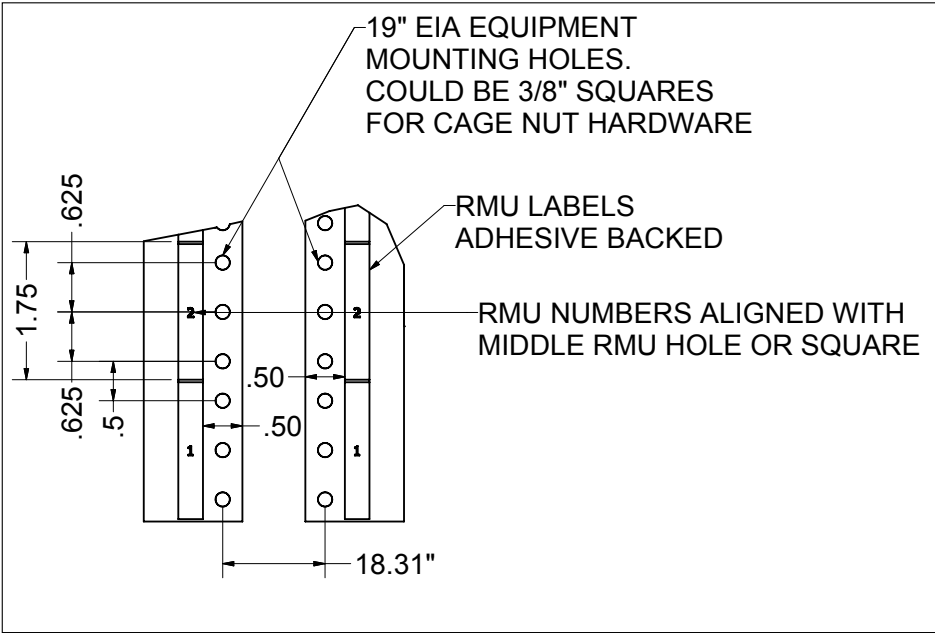
1. Unroll your RMU label and lay it on a flat surface. It is recommended that you attach the label when it is flat.
2. Find the spot where you want to start your RMU label. GL-RMUTA would have the RMU one (1) at the bottom. GL-RMUTD would have the RMU one (1) at the top
3. Clean the surface of the rail for maximum adhesion.
4. Remove paper back from RMU tape and apply to mounting rails
5. Repeat for final two sections.

ASCENDING
Order GL-RMUTA



DESCENDING
Order GL-RMUTD





Part No.	Description
GL-RMUTA	Package of two (2), ascending 1-45 Rack Mount Unit (RMU) labels. (1 on the bottom 45 on the top)
GL-RMUTD	Package of two (2), descending 1- 45 Rack Mount Unit (RMU) labels. (1 on the top 45 on the bottom)

Not everyone loads their equipment the same way. Most people in the industry consider RMU "1" to be the first mounting unit at the bottom of their enclosure. This has become the standard most requested by customers of Great Lakes Case & Cabinet Co..

Some people look at their racks and enclosures differently. They organize their electrical, data and communication equipment top to bottom, calling the top RMU "1". Great Lakes accommodates the needs of those customers as requested.

We constantly receive requests from people for a label because they purchased something without any rail identification. It happened so often, we decided to add an (EIA Standard 310D compliant) RMU tape to our accessory portfolio, as an aftermarket offering.

Now, no matter how you wish to load your racks or enclosures, Great Lakes has you "covered" with our RMU Tape, available in ascending order (part # RMUTA, with "1" on the bottom and "45" at the top) or descending order (RMUTD, with "45" on the bottom and "1" at the top.)

These products each meet the Great Lakes standard of accuracy and quality. Each set of labels is made of materials with a finish which has the look of black powder coat and they are easy to "peel & stick".

Great Lakes' RMU tape takes the guess work out of rail location identification.



Great Lakes Case & Cabinet Co., Inc.
P.O. Box 551 • Edinboro, PA 16412
1-866-TRY-GLCC

www.weRackyourWorld.com