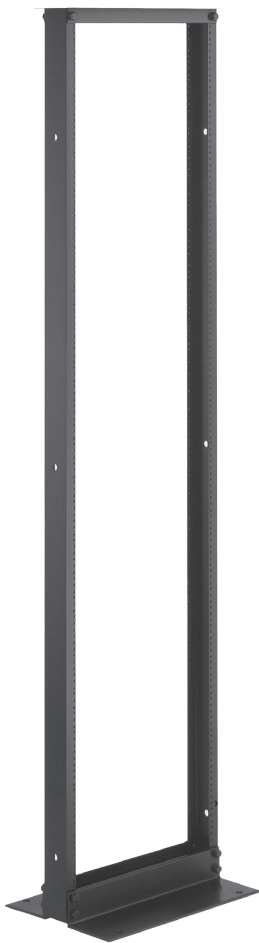




GLRR-1984
19" Two Post Relay Rack
Installation Instructions



www.WeRackYourWorld.com
1-866-TRY-GLCC (879-4522)

STEP #1:

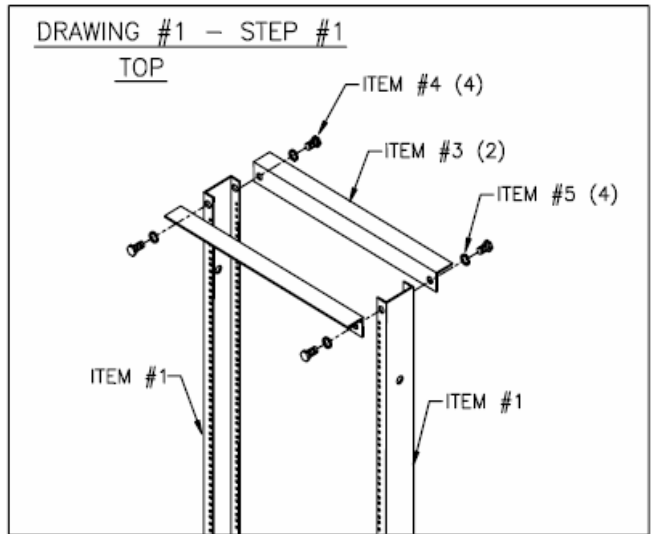
Install top angles to vertical upright channels.

A. Lay vertical upright channels on edge so tapped holes face you and the floor. Be sure open sides of upright channels face each other.

B. Align holes in top angle with corresponding holes in vertical uprights. Formed leg of top angle should be facing toward you.

C. Install 2 hex head bolts and lock washers. Finger tighten only.

D. Turn vertical upright assembly over (rotate 180 degrees) and repeat steps B and C. Finger tighten only.



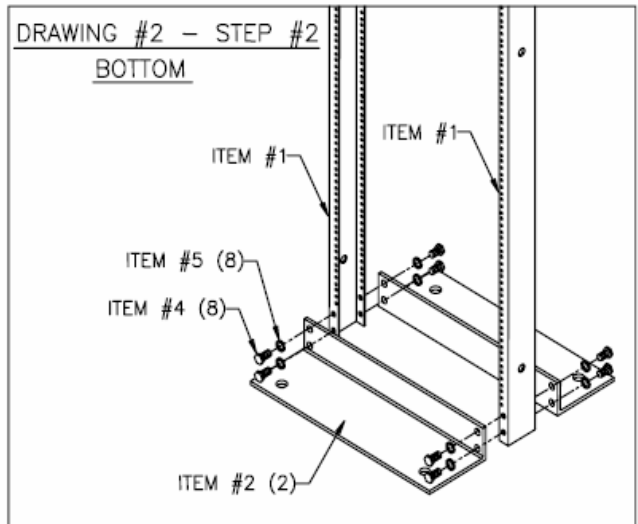
STEP #2:

Install base angles to vertical upright channels.

A. Leaving vertical upright channels on edge, align holes in base with corresponding holes in each upright channel. Long leg of base should be facing you.

B. Install 4 hex head bolts and lock washers. Finger tighten only.

C. Turn vertical upright assembly over (rotate 180 degrees) and repeat steps A and B. Finger tighten only.



STEP #3:

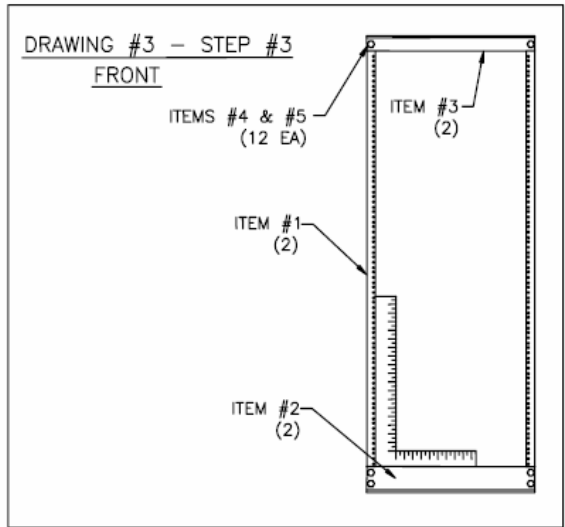
Final tightening.

- A.** Stand rack upright.
- B.** Square unit using a level or carpenter square.
- C.** Tighten all bolts using socket or wrench.

STEP #4:

Secure rack to floor.

- A.** All racks should be bolted to the floor, or to an equally stabilizing and secure surface, after desired location is determined.



STEP #5: Equipment installation.

- A.** Your rack is now ready for installation of equipment and panels.

PARTS LIST: #GLRR-1984

ITEM NO.	COMPONENT	QTY.
1	Vertical Upright Channel	2
2	Base Angle	2
3	Top Angle	2
4	½"- 13 x 1 Hex Bolt	12
5	½" Lock Washer	12
6	#12-24 x ½"lg. Screws	50

TOOLS REQUIRED: ¾" Socket or Wrench and a level or carpenter square

© 2009 Great Lakes Case & Cabinet Co., Inc., All right reserved. All trade names are registered trademarks of respective manufacturers listed.



Great Lakes Case & Cabinet Co., Inc.

Thank
You
for your
business!



www.weRackyourWorld.com

