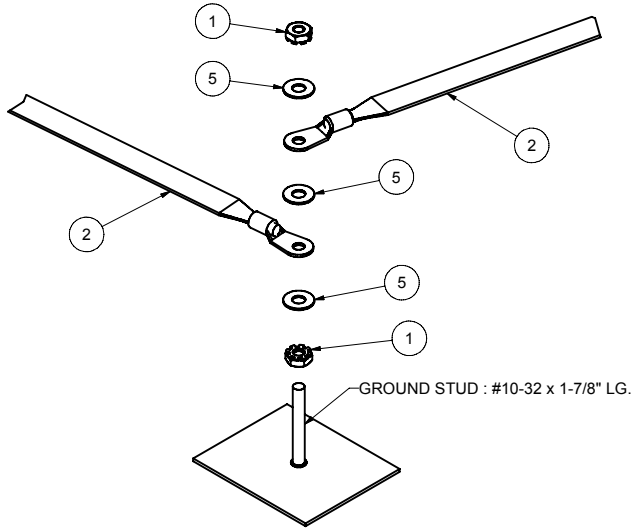
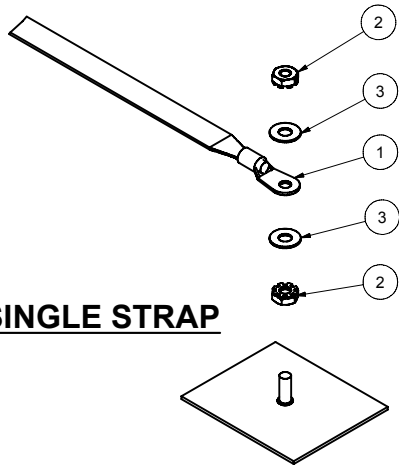


REVISION HISTORY			
REV	DESCRIPTION	DATE	APPROVED
0	ECO-01377	3/25/2004	WSS

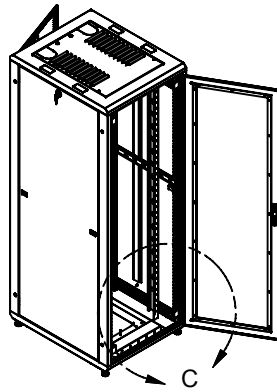
			Bill of Material		
ITEM	PART NUMBER	QTY	DESCRIPTION	FILE NAME	REVISION
1	AGS-3233/2TC-24-10	6	STRAP, 24" LG. #10 HDW., TINNED COPPER BRAID, 1/2"W	AGS32332TC2410.iam	-
2	10/32NUT	24	#10-32 NUT W/ EXTERNAL TOOTH LOCK WASHER	10-32NUT.iam	-
3	10ZNWSHR	24	#10 ZINC PLATED WASHER	10ZNWSHR.ipt	-



MULTIPLE STRAPS



SINGLE STRAP



Overview:

Objective is to ground cabinet parts to the frame such that they then can be connected to a common building ground. This kit allows you to ground the enclosure such that it is ready to be connected to the common building ground.

Frame Ground Studs:

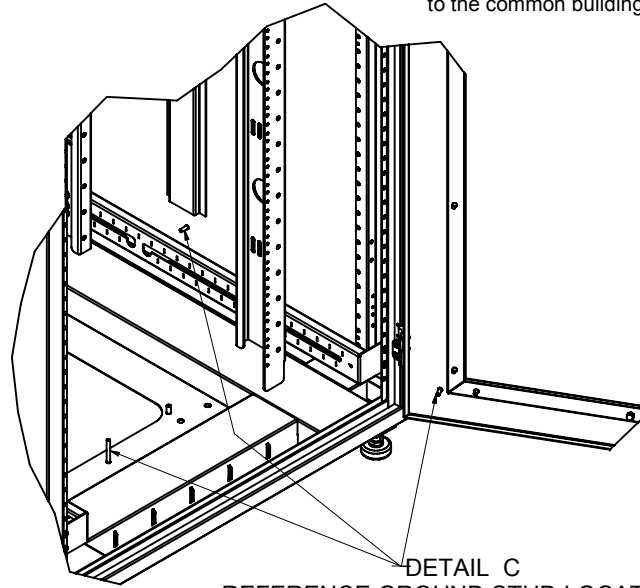
GL300E/GL480E/GL600E have two (2) copper ground studs in the frame of the enclosure (one in front center and one in back center)

GL720EXXXX -GL840EXXXX have a total of four (3) ground studs in the frame of the enclosure. (Two in the top and one in the bottom)

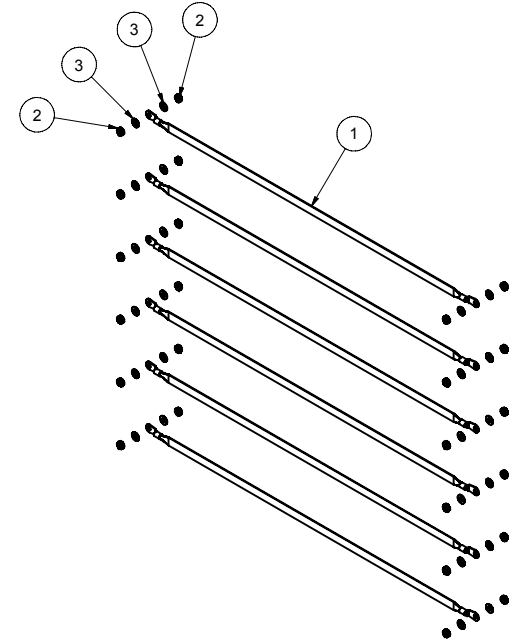
GL480ES2442 -GL780ESXX42 - GL840ESXX42 a total of four (2) ground studs in the frame of the enclosure. (Two in the bottom rear)

Using the tinned copper braided straps supplied connect one end of the strap to copper ground stud on the side panels and doors and the other end to copper ground stud on the frame (or top) of the enclosure. (See detail C)

Once all straps have been connected to a copper frame stud have at least one frame stud connected to the common building ground. (See detail multiple straps and or single strap)



DETAIL C
REFERENCE GROUND STUD LOCATIONS
NOT ALL SHOWN



NOTES:

- 1.) GROUND STRAP MATERIAL : TINNED COPPER BRAID, 1/2" WIDE, 24" LENGTH CENTER TO CENTER, #10 HARDWARE.
- 2.) GROUND STRAP : AWG EQUIV. - 10 ; AMP CAPACITY - 53.
- 3.) PACKAGING INSTRUCTIONS : PLACE ALL STRAPS, NUTS & WASHERS WITH A COPY OF THIS DRAWING INTO A CLEAR PLASTIC SEALABLE BAG. APPLY SELF ADHESIVE PART NUMBER (#GR101) LABEL TO BAG.



THIRD ANGLE
PROJECTION

INTERPRET DRAWING PER ASME Y14.5M-1994
DIMENSIONAL LIMITS APPLY AFTER APPLICATION OF FINISH
DRAWING NOT TO SCALE
TOLERANCE UNLESS OTHERWISE NOTED:
ANGULAR +/- 1'
.XXX +/- .010
.XXX +/- .015
.XX +/- .030
.X FOR REF. ONLY
UNLESS OTHERWISE SPECIFIED ALL DIMENSIONS ARE IN INCHES

NOTICE:

Use of this document is subject to a confidentiality and nondisclosure agreement with Great Lakes Case & Cabinet Co., Inc. (GLCC) and may not be reproduced, disclosed or utilized in whole or in part without prior written authorization from GLCC.

PART NUMBER:	GR101
QTY PER UNIT:	1
MATERIAL TYPE:	SEE NOTES
MATERIAL GAUGE:	SEE NOTES
FINISH:	SEE NOTES
DRAWN	DATE
WSS	3/25/2004
CHECKED & APP.	DATE
J.a.I.	3/25/03

TITLE		ENHANCED SERIES ENCLOSURE - GROUNDING KIT	
GREAT LAKES CASE & CABINET CO., INC.			
P.O. BOX 551 EDINBORO, PA 16412			
PHONE (814) 734-7303 FAX (814) 734-3907			
E-MAIL glcc@greatcabinets.com			
DWG NO:	REV	SHEET: 1 OF 1	
1002129	0		