

product spotlight

CMP AND CMP 8

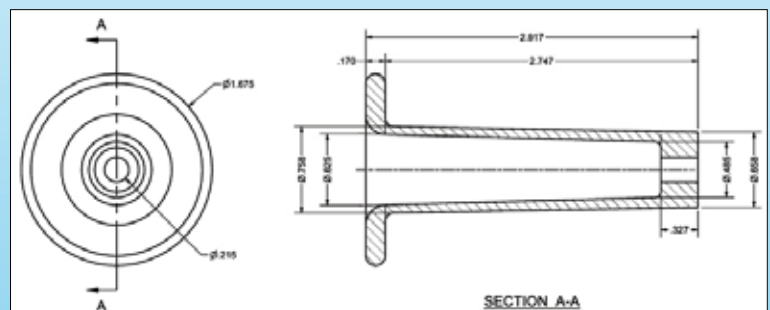
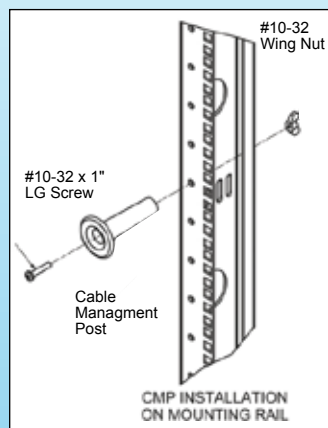


Features

- Versatile 3" high cable management post
- Soft edge turning radius
- Install on the Flexible Mounting Profile (FMP), a series of holes outside of the EIA pattern
- Turns a Great Lakes' vertical mounting rail into a cable management guide
- Allows you to trim cables around the post to your rack mount cable manager

Part No. Description

CMP	Single Cable Management Post, 3.00"H
CMP-8	Package of 8 Cable Management Posts



CORPORATE HEADQUARTERS

P.O. Box 551
Edinboro, PA 16412
1.866.TRY.GLCC
(1.866.879.4522)
Phone: 814.734.7303
Fax: 814.734.3907
glcc@greatcabinets.com

GREAT LAKES MANUFACTURING, INC.

1521 Enterprise Road
Corry, PA 16407
Phone: 814.734.2436
Fax: 814.665.7025
werackyourworld.com
glm@greatmanufacturing.net

WESTERN DISTRIBUTION

4750 Joule Street
Reno, NV 89502
Phone: 775.829.9913
Fax: 775.829.9926
glcc@greatcabinets.com

GREAT LAKES INTERNATIONAL LTD.

Aerbridge House, Unit 14
Dunshaughlin Business Park
Dunshaughlin Co. Meath
Ireland
Phone: 011 353 1 825 8777
Fax: 011 353 1 825 8778

GREAT LAKES HUNGARY KFT

Zsurló utca 13
8000 Székesfehérvár
Hungary
Phone: 011 36 22 880 420
Fax: 011 36 22 880 429