

product spotlight

SPLIT FAN DOOR SET



Split doors require a smaller swing clearance, allowing enclosure aisles to be placed closer together. ES enclosures that are 29" wide will only require a reduced door clearance of 14.25", with the 24" wide enclosures needing only 11.75".

Door Sets come standard with a swing handle and three point latching. Optional handles available, please see our most recent catalog or visit us on the web at werackyourworld.com

Features:

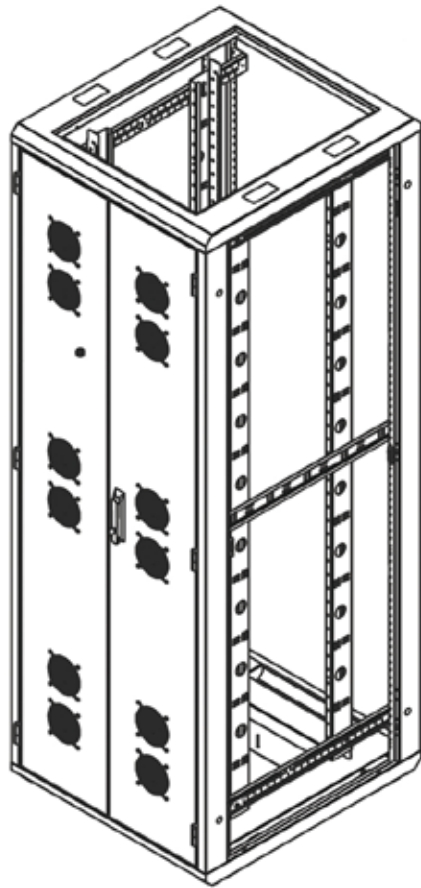
- Ideal for hot aisle/cold aisle configurations
- Directs hot exhaust into hot aisle with no recirculation
- Recommended for use with solid top panels
- 900 CFM
- 110 VAC standard, (220 VAC optional)
- Three point latching
- Easy lift off hinges
- 180° swing ratio

Part No. Description

4803E-SF24	Split Fan Door Set for 48"H x 24"W Frame (600 CFM)
7803E-SF24	Split Fan Door Set for 78"H x 24"W Frame
7803E-SF29	Split Fan Door Set for 78"H x 30"W Frame
8403E-SF24	Split Fan Door Set for 84"H x 24"W Frame
8403E-SF29	Split Fan Door Set for 84"H x 29" & 30"W Frame

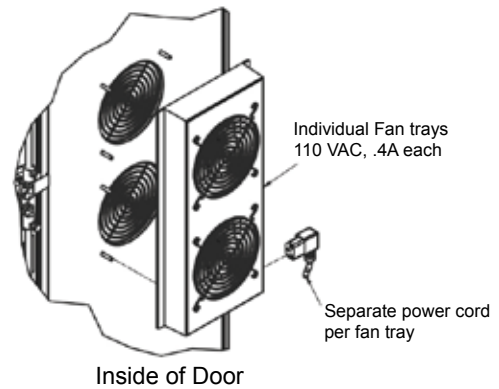
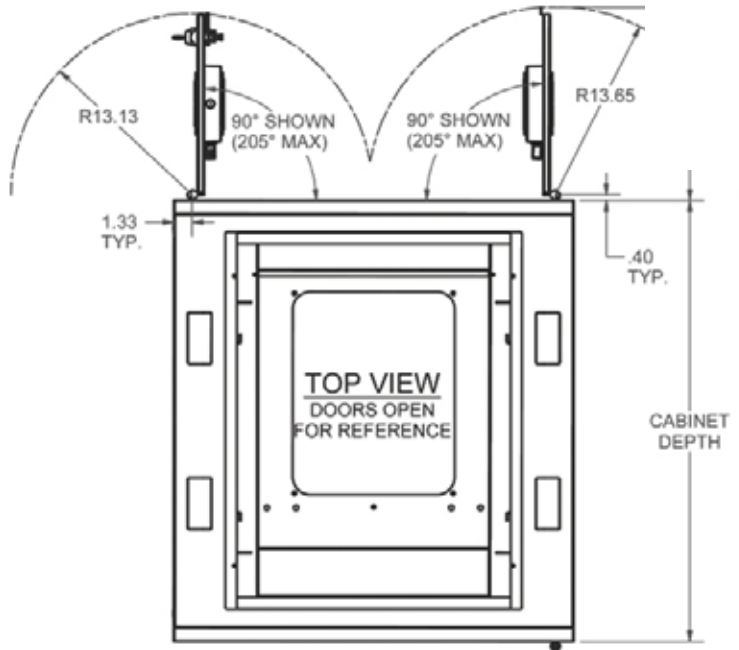
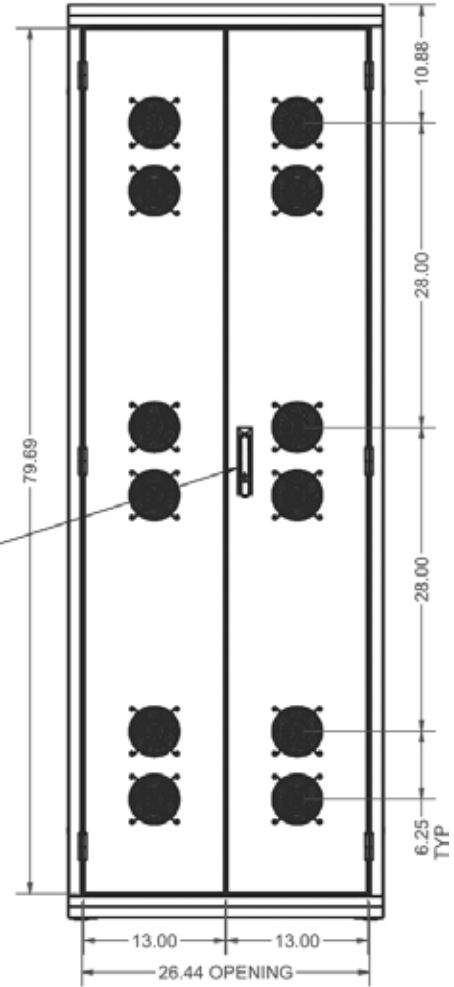
Available in black only





External Finger Guard Mounting

#8403E-SF29
shown



CORPORATE HEADQUARTERS

P.O. Box 551
Edinboro, PA 16412
1.866.TRY.GLCC
(1.866.879.4522)
Phone: 814.734.7303
Fax: 814.734.3907
glcc@greatcabinets.com

GREAT LAKES MANUFACTURING, INC.

1521 Enterprise Road
Corry, PA 16407
Phone: 814.734.2436
Fax: 814.665.7025
werackyourworld.com
glm@greatmanufacturing.net

WESTERN DISTRIBUTION

4750 Joule Street
Reno, NV 89502
Phone: 775.829.9913
Fax: 775.829.9926
glcc@greatcabinets.com

GREAT LAKES INTERNATIONAL LTD.

Aerbridge House, Unit 14
Dunshaughlin Business Park
Dunshaughlin Co. Meath
Ireland
Phone: 011 353 1 825 8777
Fax: 011 353 1 825 8778

GREAT LAKES HUNGARY KFT

Zsurló utca 13
8000 Székesfehérvár
Hungary
Phone: 011 36 22 880 420
Fax: 011 36 22 880 429