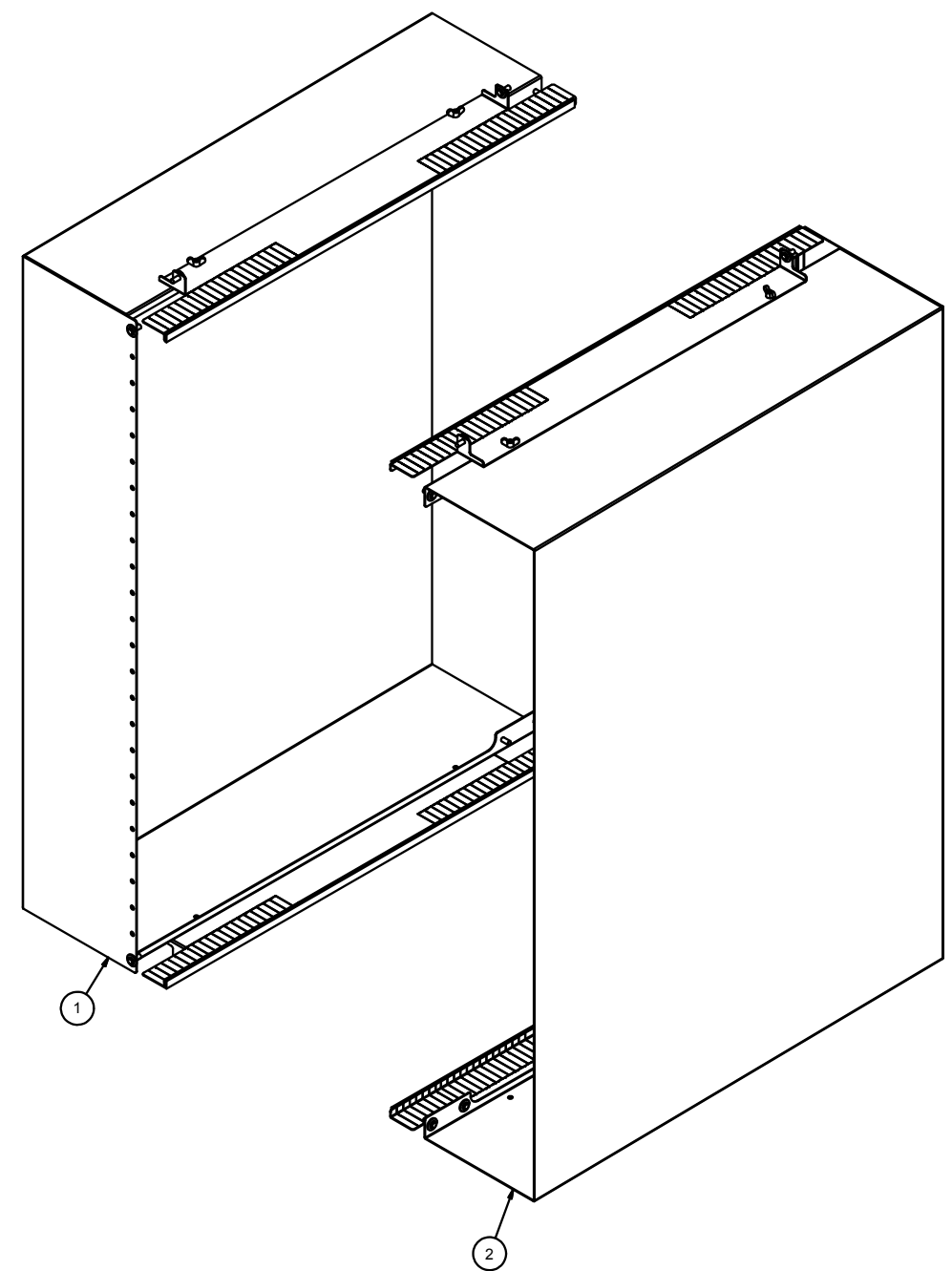
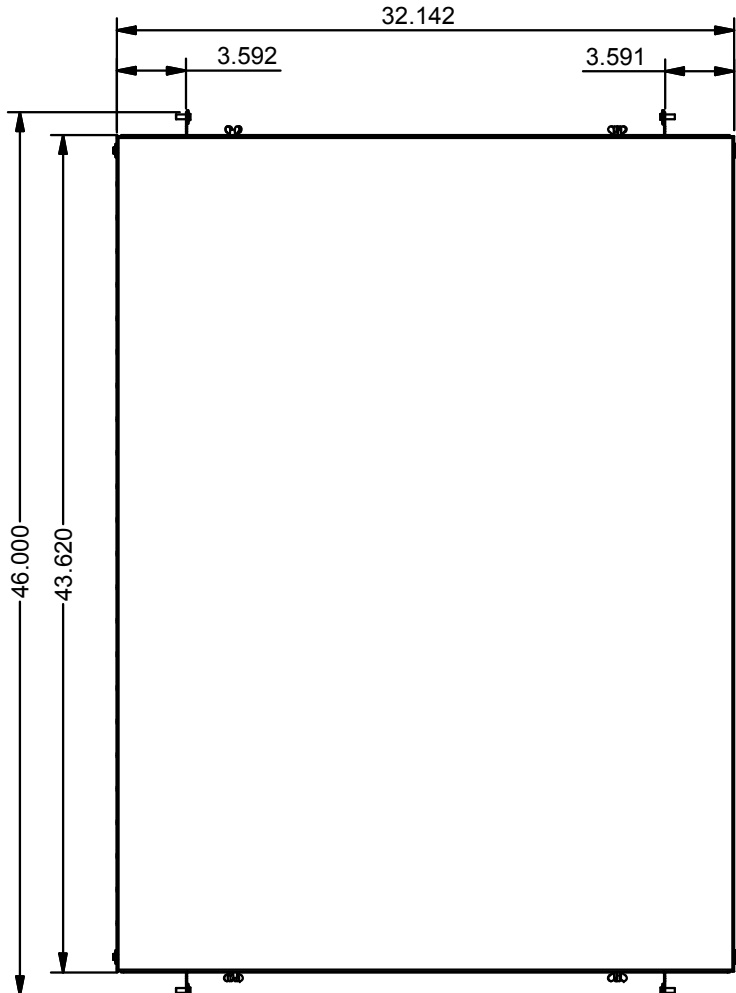
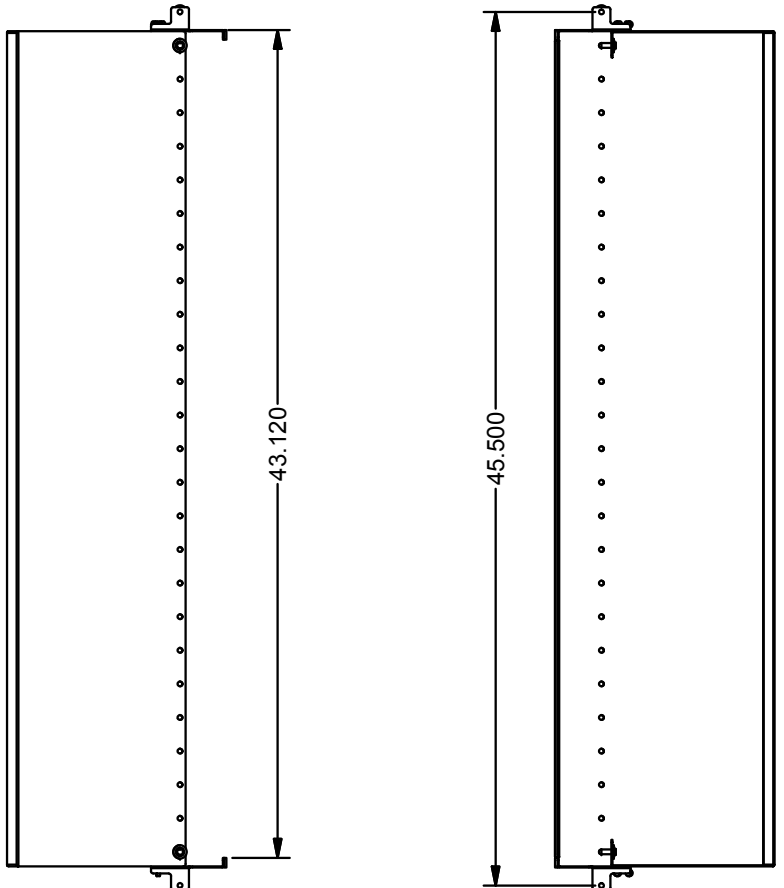
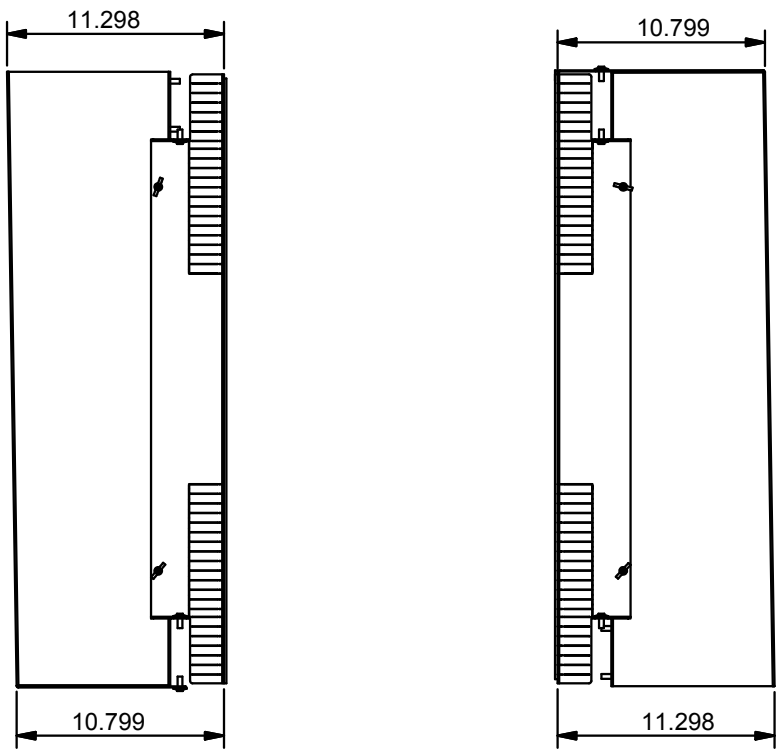


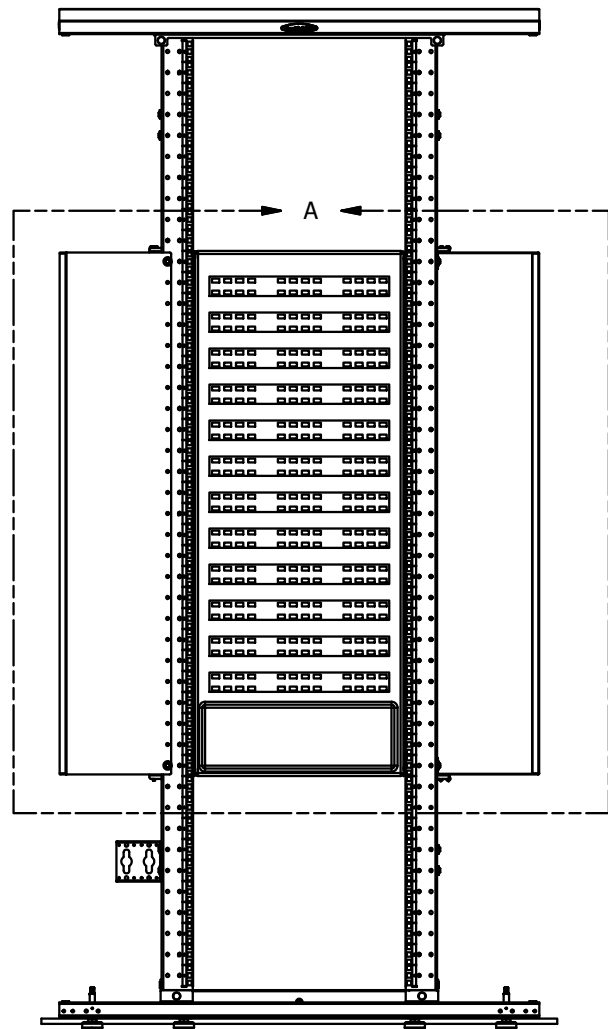
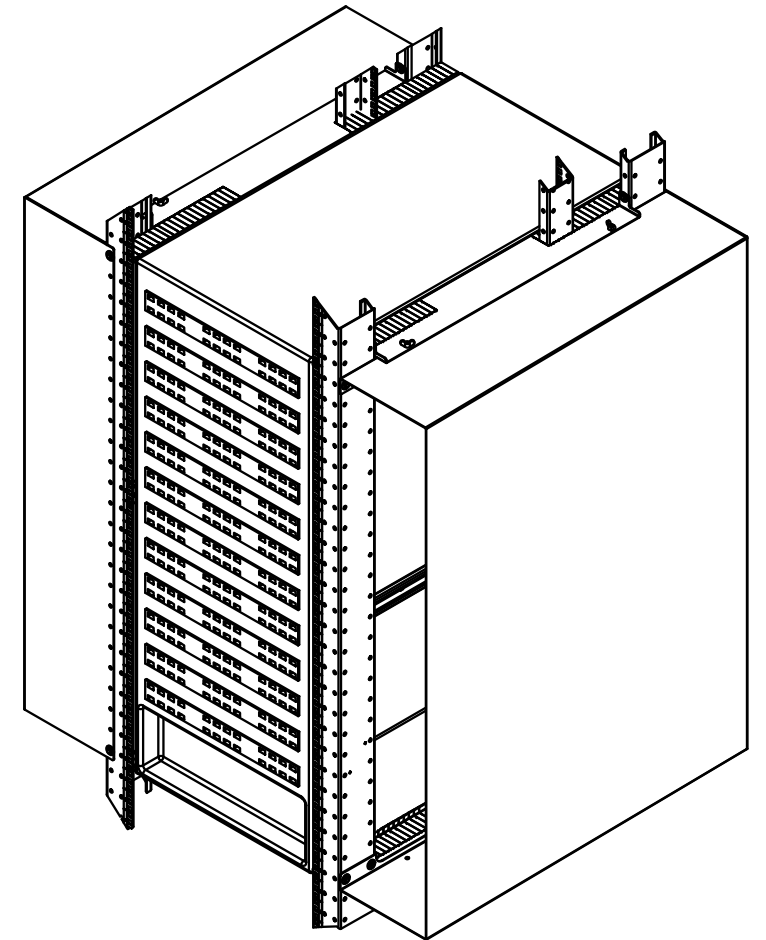
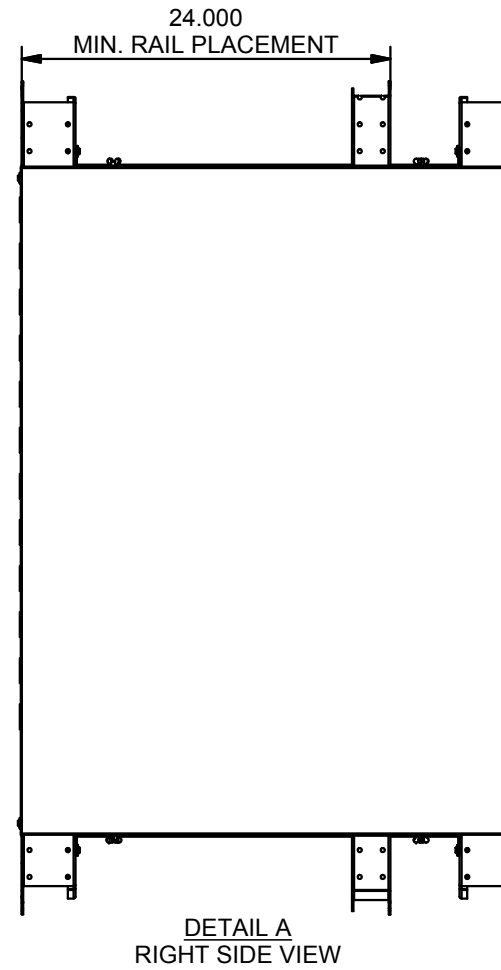
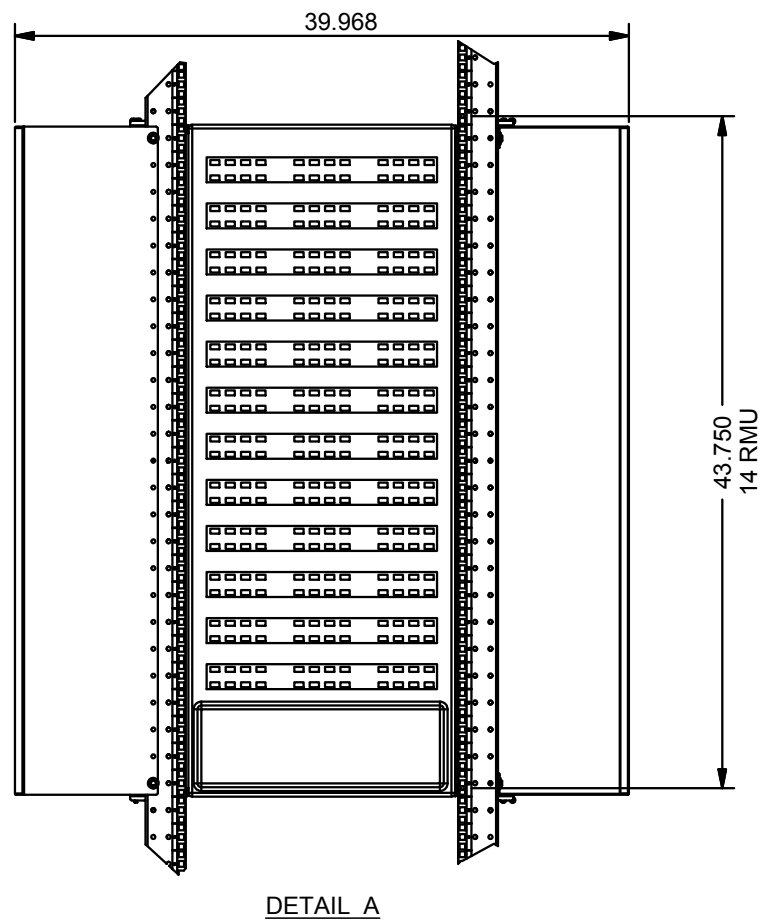
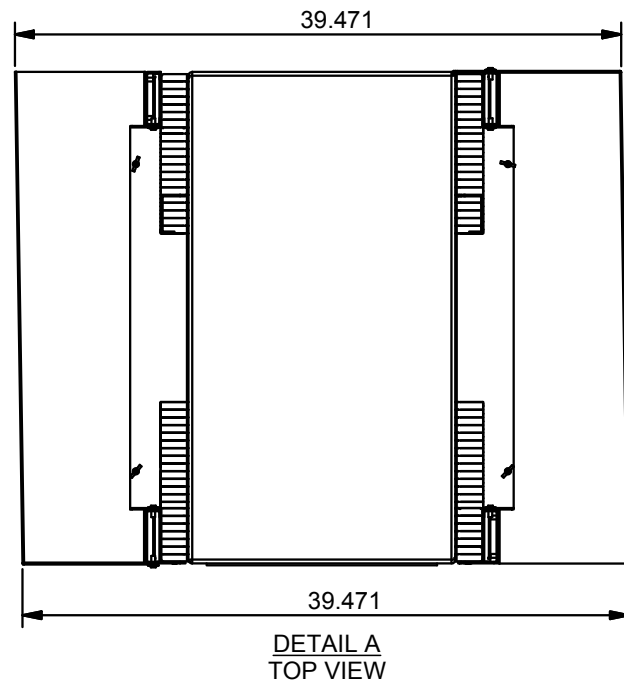
REVISION HISTORY			
REV	DESCRIPTION	DATE	APPROVED
0	ECO-03074	12/14/10	CD

Bill of Material						
ITEM	PART NUMBER	STOCK NUMBER	QTY	DESCRIPTION	FILE NAME	REVISION
1			1	EN EXHAUST BAFFLE FOR 7018 CISCO SWITCH	I013310.iam	0
2			1	EN INTAKE BAFFLE FOR 7018 CISCO SWITCH	I013127.iam	0



NOTES:
 1. PACKAGE TOGETHER AS KIT
 2. SEE SHEET 2 FOR INSTALLATION INSTRUCTIONS

INTERPRET DRAWING PER ASME Y14.5M-1994 DIMENSIONAL LIMITS APPLY AFTER APPLICATION OF FINISH DRAWING NOT TO SCALE TOLERANCE UNLESS OTHERWISE NOTED: ANGULAR +/- .1" .XXXX +/- .010 .XXX +/- .015 .XX +/- .030 X FOR REF. ONLY	NOTICE: Use of this document is subject to a confidentiality and nondisclosure agreement with Great Lakes Case & Cabinet Co., Inc. (GLCC) and may not be reproduced, disclosed or utilized in whole or in part without prior written authorization from GLCC.	PART NUMBER: ENSAB25X100	TITLE 25 RMU EN INTAKE / EXHAUST BAFFLE KIT FOR 7018 CISCO SWITCH	
		QTY PER UNIT: 1	GREAT LAKES CASE & CABINET CO., INC. P.O. BOX 551 EDINBORO, PA 16412 PHONE (814) 734-7303 FAX (814) 734-3907 E-MAIL glcc@greatcabinets.com	
		MATERIAL TYPE: - MATERIAL GAUGE: - FINISH: -		
		DRAWN CD CHECKED & APP. WSS	DATE 2/2/2011 DATE 2/1/11	DWG NO: I013126



ENCLOSURE AND SWITCH SHOWN FOR REFERENCE ONLY

INTERPRET DRAWING PER ASME Y14.5M-1994
DIMENSIONAL LIMITS APPLY
AFTER APPLICATION OF FINISH
DRAWING NOT TO SCALE
TOLERANCE UNLESS OTHERWISE NOTED:
ANGULAR +/- .1°
.XXXX +/- .010
.XXX +/- .015
.XX +/- .030
.X FOR REF. ONLY

NOTICE:

Use of this document is subject to a confidentiality and nondisclosure agreement with Great Lakes Case & Cabinet Co., Inc. (GLCC) and may not be reproduced, disclosed or utilized in whole or in part without prior written authorization from GLCC.

PART NUMBER:
ENSAB25X100
QTY PER UNIT: 1
MATERIAL TYPE:
MATERIAL GAUGE:
FINISH:
DRAWN CD DATE 2/2/2011
CHECKED & APP. WSS DATE 2/1/11

TITLE
25 RMU EN INTAKE / EXHAUST BAFFLE KIT FOR 7018 CISCO SWITCH
GREAT LAKES CASE & CABINET CO., INC.
P.O. BOX 551 EDINBORO, PA 16412
PHONE (814) 734-7303 FAX (814) 734-3907
E-MAIL glcc@greatcabinets.com



UNLESS OTHERWISE SPECIFIED ALL DIMENSIONS ARE IN INCHES

DWG NO: **1013126** REV: **0** SHEET: 2 OF 2