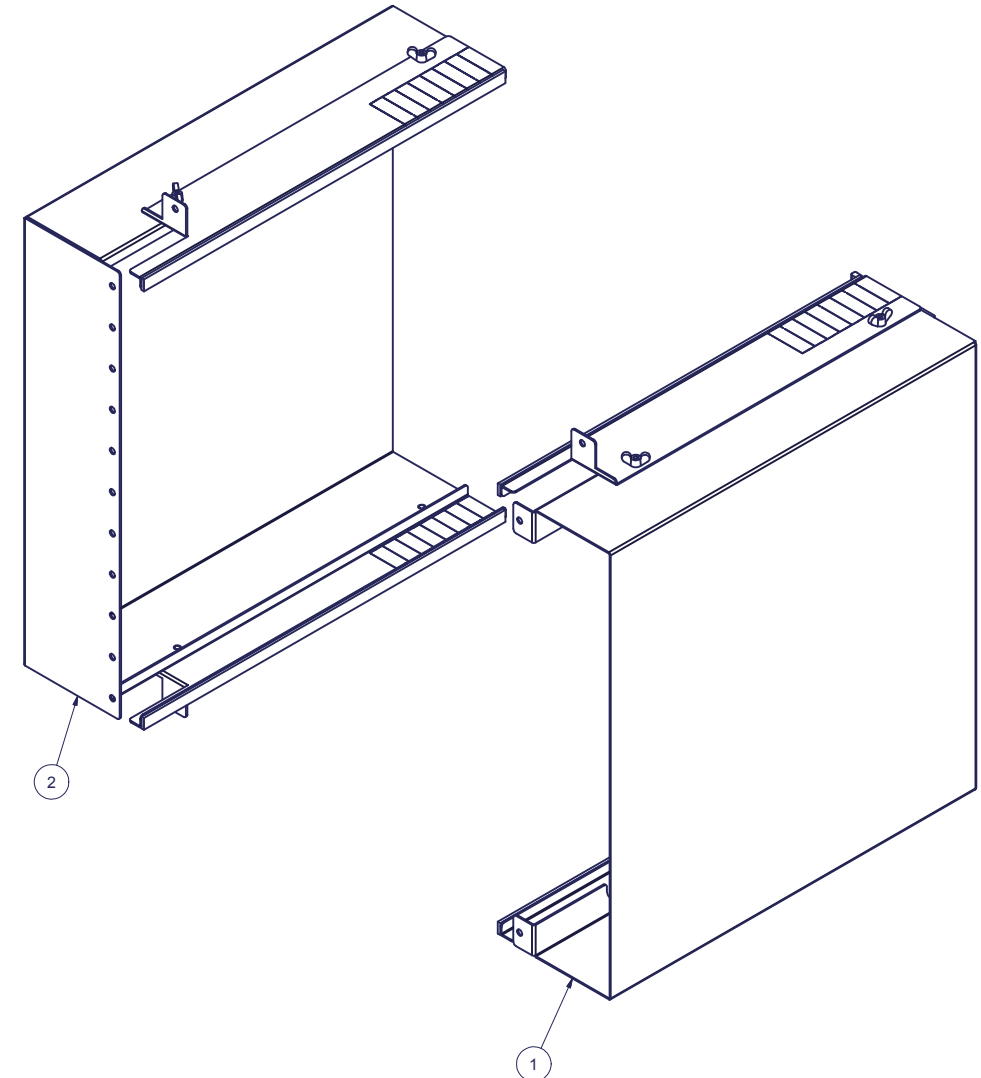
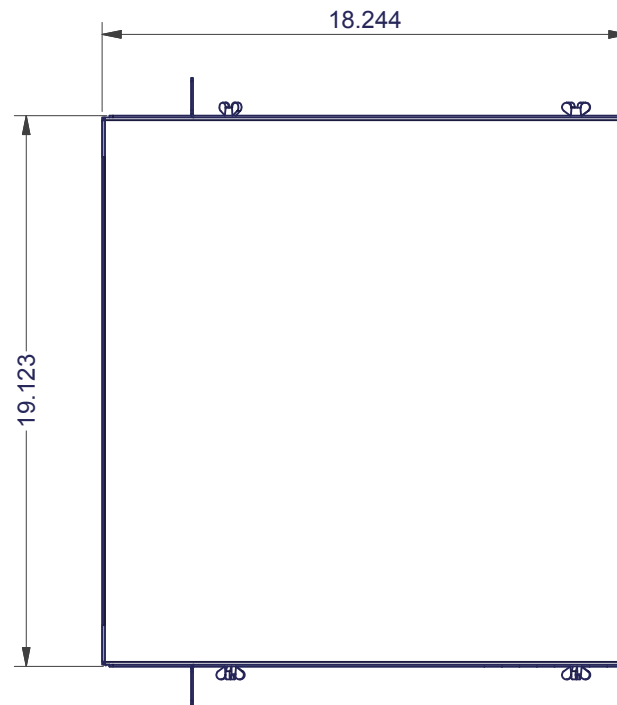
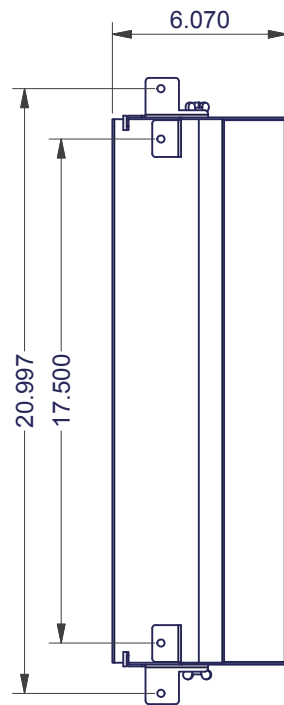
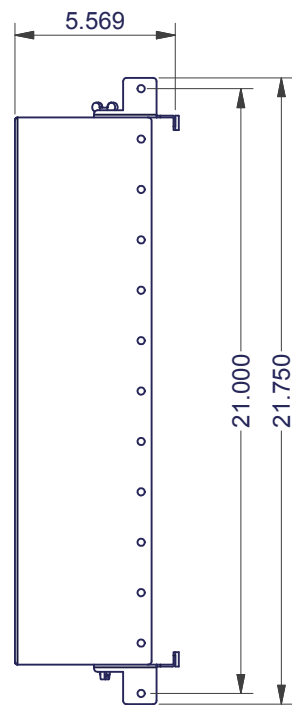
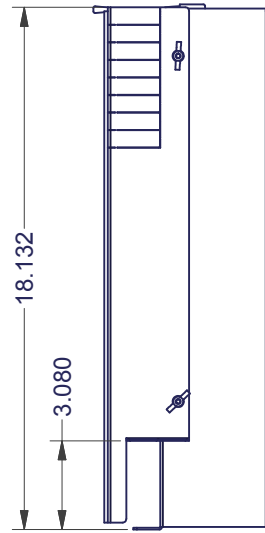
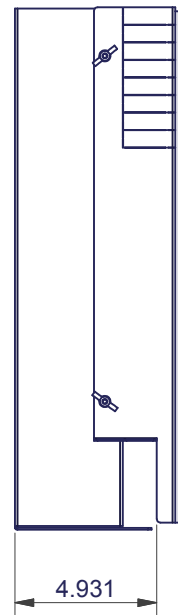


REVISION HISTORY			
REV	DESCRIPTION	DATE	APPROVED
0	ECO-02926	7/23/2010	CD
1	ECO-03021	10/13/10	CD

Bill of Material						
ITEM	PART NUMBER	STOCK NUMBER	QTY	DESCRIPTION	FILE NAME	REVISION
1			1	ES INTAKE BAFFLE FOR 6506-E CISCO SWITCH	I012272.iam	1
2			1	ES EXHAUST BAFFLE FOR 6506-E CISCO SWITCH	I012277.iam	1



NOTES:
 1. PACKAGE TOGETHER AS KIT
 2. SEE SHEET 2 FOR INSTALLATION INSTRUCTIONS

INTERPRET DRAWING PER ASME Y14.5M-1994
 DIMENSIONAL LIMITS APPLY
 AFTER APPLICATION OF FINISH
 DRAWING NOT TO SCALE
 TOLERANCE UNLESS OTHERWISE NOTED:
 ANGULAR +/- 1°
 .XXXX +/- .010
 .XXX +/- .015
 .XX +/- .030
 .X FOR REF. ONLY

NOTICE:
 Use of this document is subject to a confidentiality and nondisclosure agreement with Great Lakes Case & Cabinet Co., Inc. (GLCC) and may not be reproduced, disclosed or utilized in whole or in part without prior written authorization from GLCC.

PART NUMBER:
ESSAB11X100
 QTY PER UNIT: 1
 MATERIAL TYPE:
 MATERIAL GAUGE:
 FINISH:

TITLE
11 RMU ES INTAKE & EXHAUST BAFFLE FOR 6506-E CISCO SWITCH
 GREAT LAKES CASE & CABINET CO., INC.
 P.O. BOX 551 EDINBORO, PA 16412
 PHONE (814) 734-7303 FAX (814) 734-3907
 E-MAIL glcc@greatcabinets.com

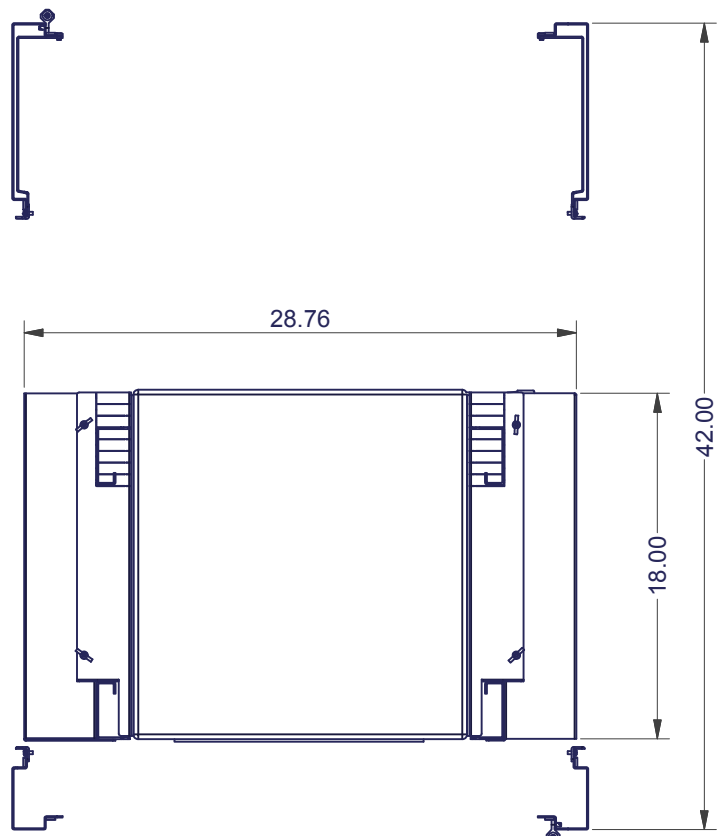
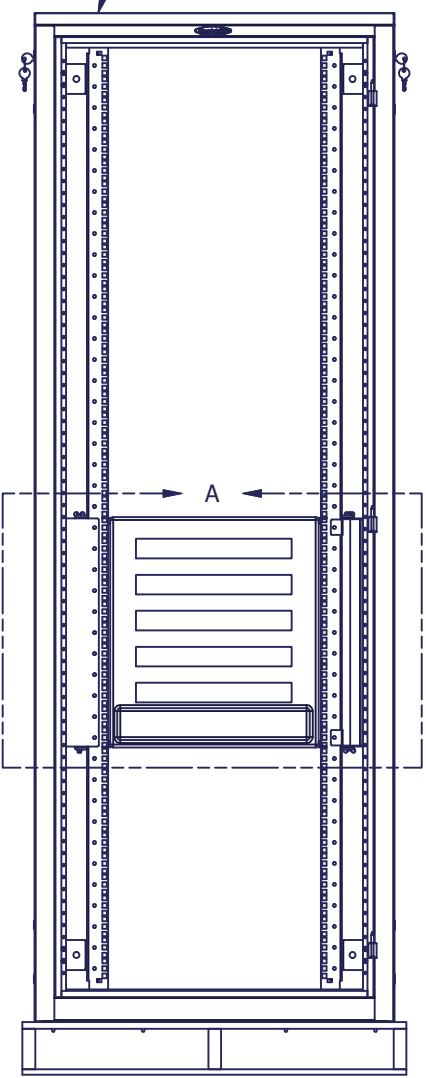


THIRD ANGLE PROJECTION
 UNLESS OTHERWISE SPECIFIED ALL DIMENSIONS ARE IN INCHES

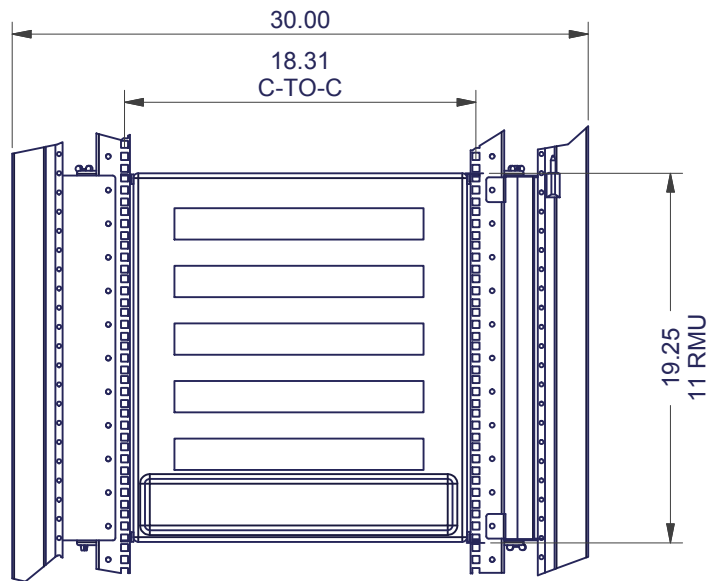
DRAWN DATE 7/15/2010
 CD
 CHECKED & APP. DATE 7/23/10
 WSS

DWG NO: I012289
 REV: 1
 SHEET: 1 OF 3

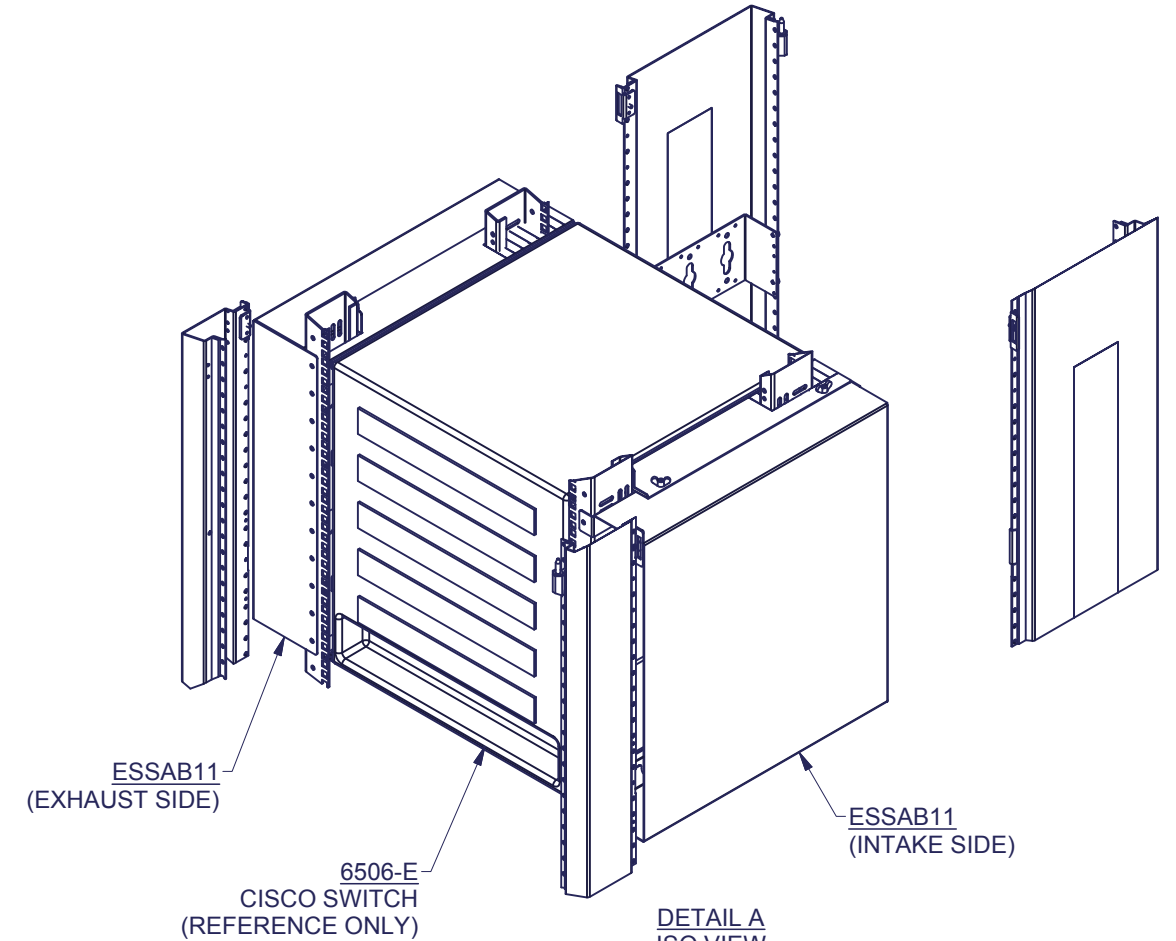
SPECIFIC FOR : 30"W ES ENCLOSURES ONLY (REFERENCE ONLY)



DETAIL A
TOP VIEW



DETAIL A

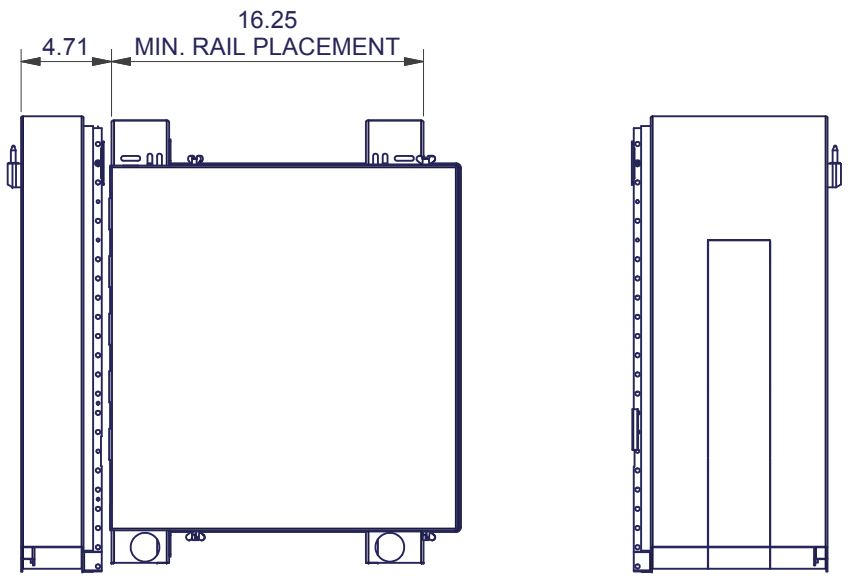


ESSAB11
(EXHAUST SIDE)

6506-E
CISCO SWITCH
(REFERENCE ONLY)

ESSAB11
(INTAKE SIDE)

DETAIL A
ISO VIEW
RIGHT SIDE PANEL NOT SHOWN



DETAIL A
RIGHT SIDE VIEW
SIDE PANELS NOT SHOWN

ENCLOSURE AND SWITCH SHOWN FOR REFERENCE ONLY

INTERPRET DRAWING PER ASME Y14.5M-1994
DIMENSIONAL LIMITS APPLY
AFTER APPLICATION OF FINISH
DRAWING NOT TO SCALE
TOLERANCE UNLESS OTHERWISE NOTED:
ANGULAR +/- .1"
.XXXX +/- .010
.XXX +/- .015
.XX +/- .030
.X FOR REF. ONLY

NOTICE:
Use of this document is subject to a confidentiality and nondisclosure agreement with Great Lakes Case & Cabinet Co., Inc. (GLCC) and may not be reproduced, disclosed or utilized in whole or in part without prior written authorization from GLCC.

PART NUMBER:
ESSAB11X100
QTY PER UNIT: 1
MATERIAL TYPE:
MATERIAL GAUGE:
FINISH:
DRAWN CD DATE 7/15/2010
CHECKED & APP. WSS DATE 7/23/10

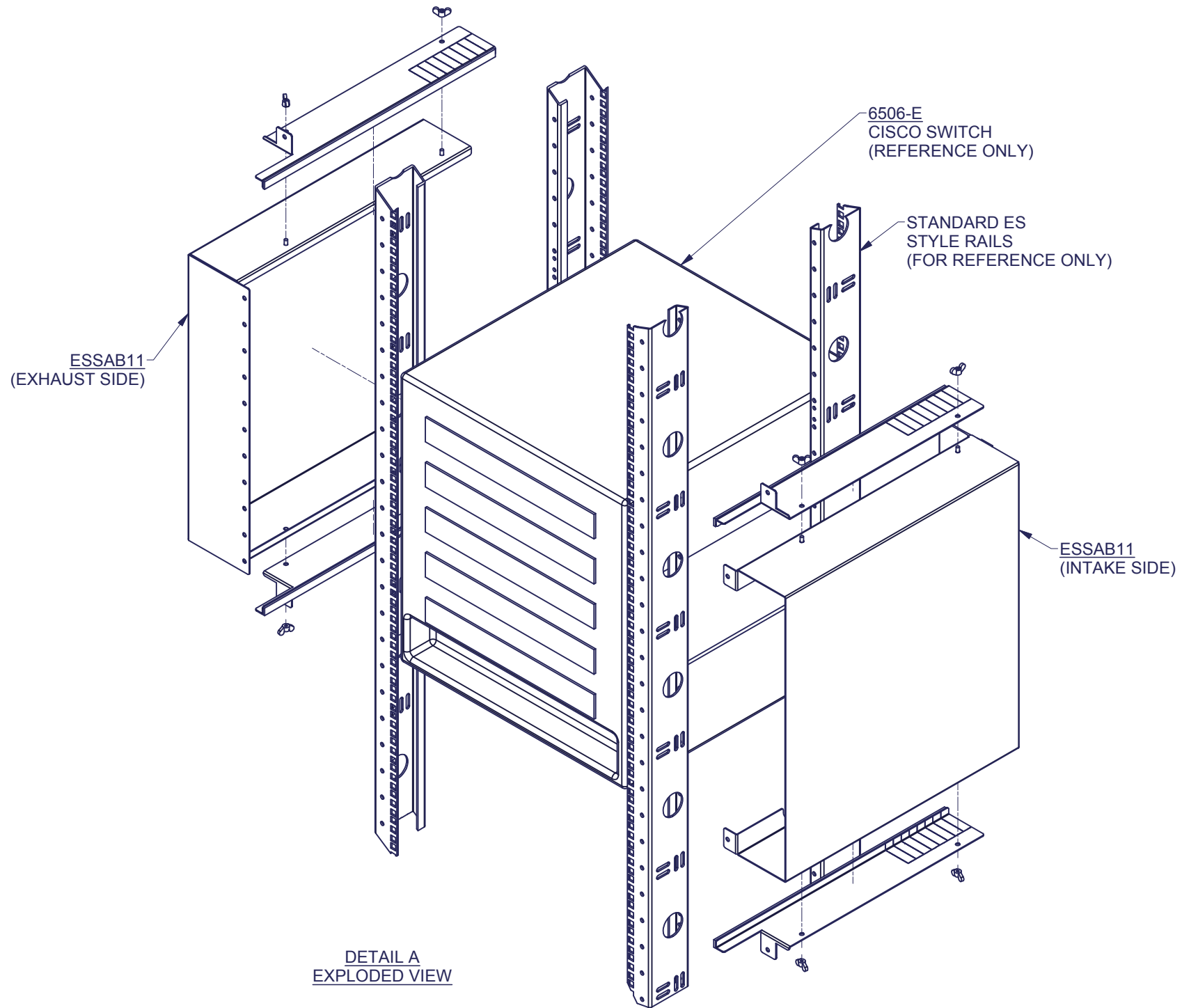
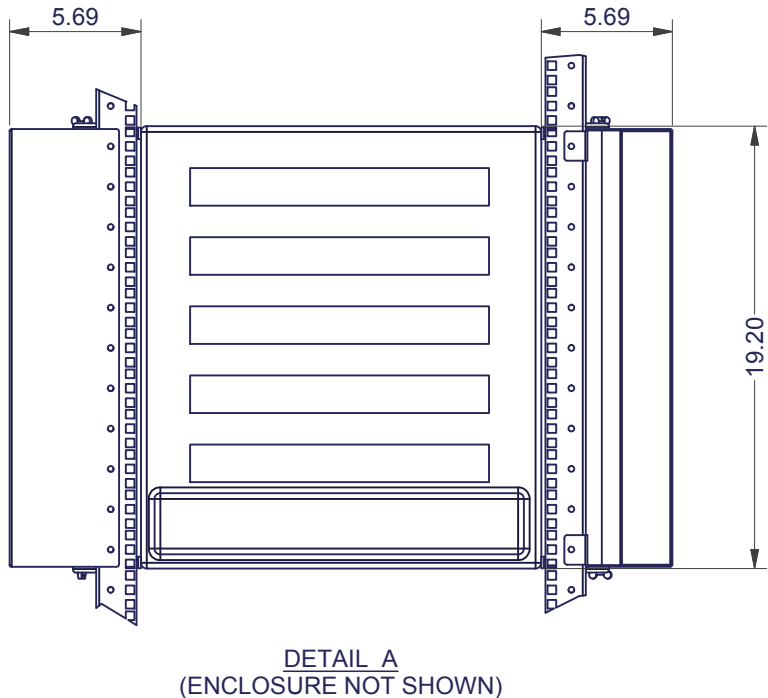
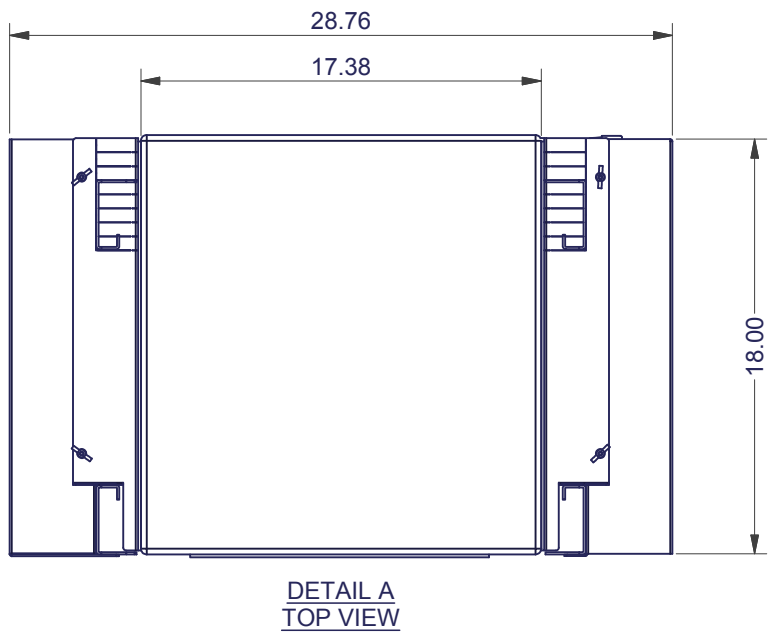
TITLE
11 RMU ES INTAKE & EXHAUST BAFFLE FOR 6506-E CISCO SWITCH
GREAT LAKES CASE & CABINET CO., INC.
P.O. BOX 551 EDINBORO, PA 16412
PHONE (814) 734-7303 FAX (814) 734-3907
E-MAIL glcc@greatcabinets.com



THIRD ANGLE PROJECTION

UNLESS OTHERWISE SPECIFIED ALL DIMENSIONS ARE IN INCHES

DWG NO: **1012289** REV: **1** SHEET: 2 OF 3



RAILS AND SWITCH SHOWN FOR REFERENCE ONLY

INTERPRET DRAWING PER ASME Y14.5M-1994 DIMENSIONAL LIMITS APPLY AFTER APPLICATION OF FINISH DRAWING NOT TO SCALE TOLERANCE UNLESS OTHERWISE NOTED: ANGULAR +/- .1" .XXXX +/- .010 .XXX +/- .015 .XX +/- .030 .X FOR REF. ONLY	NOTICE:		PART NUMBER: ESSAB11X100	TITLE 11 RMU ES INTAKE & EXHAUST BAFFLE FOR 6506-E CISCO SWITCH
	Use of this document is subject to a confidentiality and nondisclosure agreement with Great Lakes Case & Cabinet Co., Inc. (GLCC) and may not be reproduced, disclosed or utilized in whole or in part without prior written authorization from GLCC.		QTY PER UNIT: 1	GREAT LAKES CASE & CABINET CO., INC. P.O. BOX 551 EDINBORO, PA 16412 PHONE (814) 734-7303 FAX (814) 734-3907 E-MAIL glcc@greatcabinets.com
			MATERIAL TYPE: -	
			MATERIAL GAUGE: -	
		FINISH: -	DRAWN DATE CD 7/15/2010	DWG NO: 1012289
		CHECKED & APP. DATE WSS 10/13/10	REV 1	SHEET: 3 OF 3

