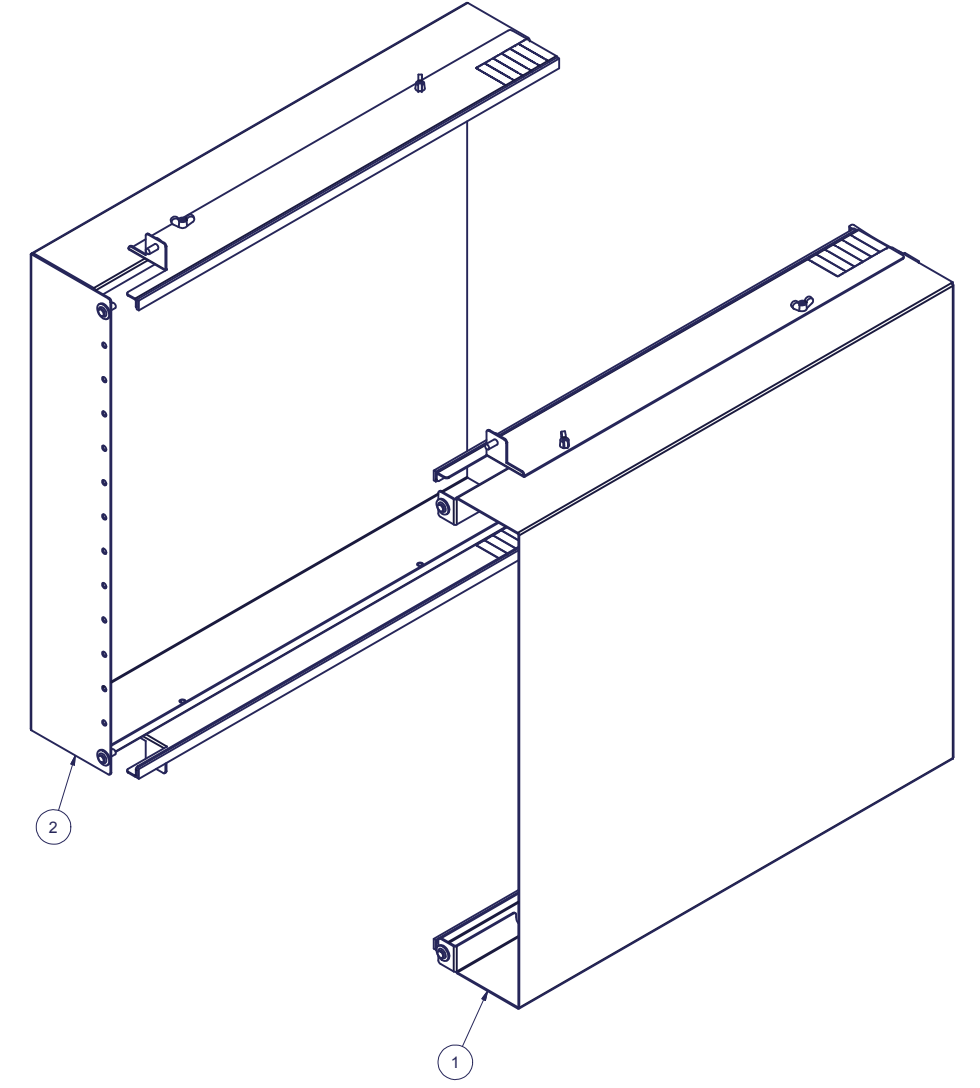
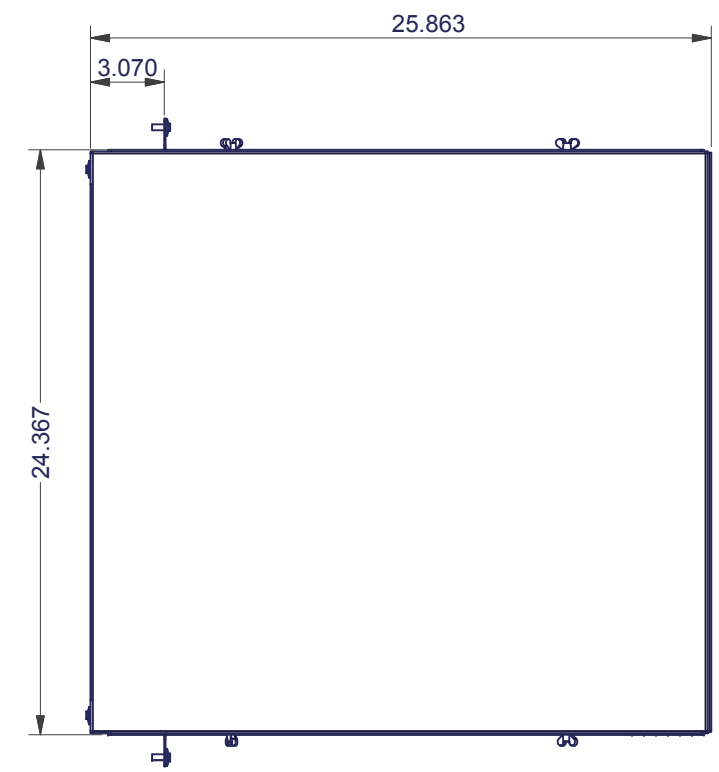
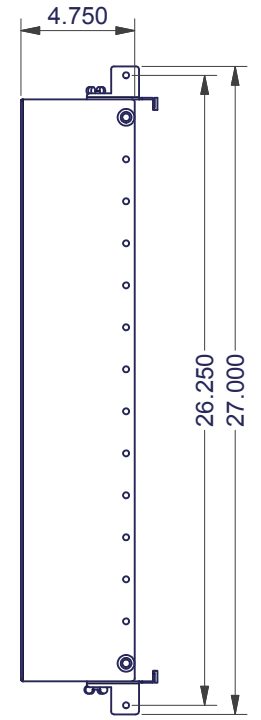
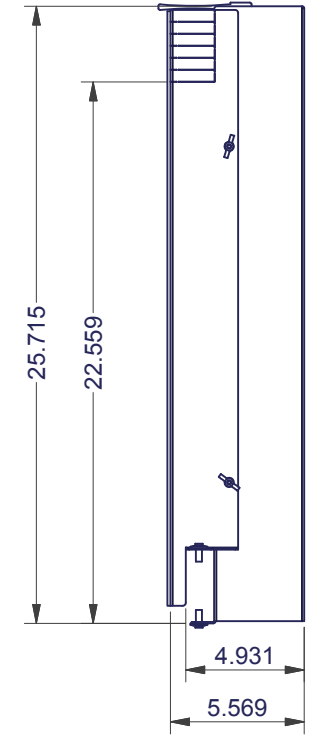
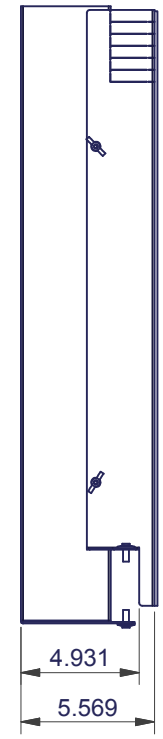


REVISION HISTORY			
REV	DESCRIPTION	DATE	APPROVED
0	ECO-03336	9/1/11	CD

Bill of Material						
ITEM	PART NUMBER	STOCK NUMBER	QTY	DESCRIPTION	FILE NAME	REVISION
1			1	14 RMU DEEP ES INTAKE BAFFLE FOR 9513 CISCO SWITCH	I014808.iam	0
2			1	14 RMU DEEP ES EXHAUST BAFFLE FOR 9513 CISCO SWITCH	I014812.iam	0

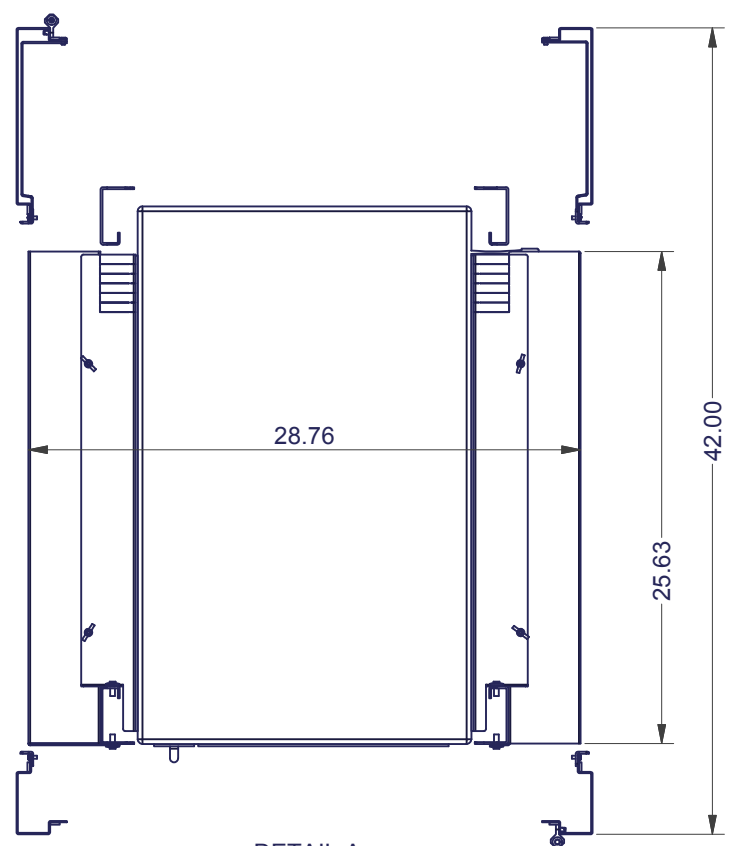
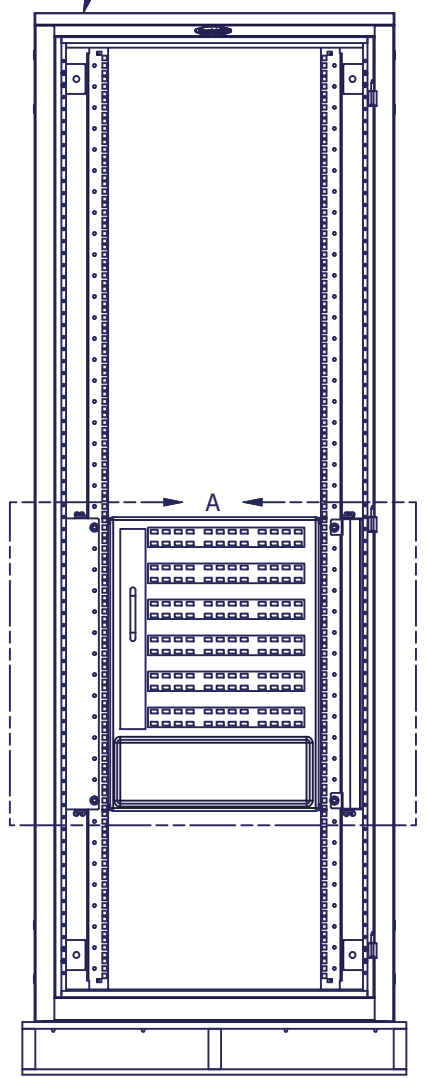


NOTES:
 1. PACKAGE TOGETHER AS KIT
 2. SEE SHEET 2 FOR INSTALLATION INSTRUCTIONS

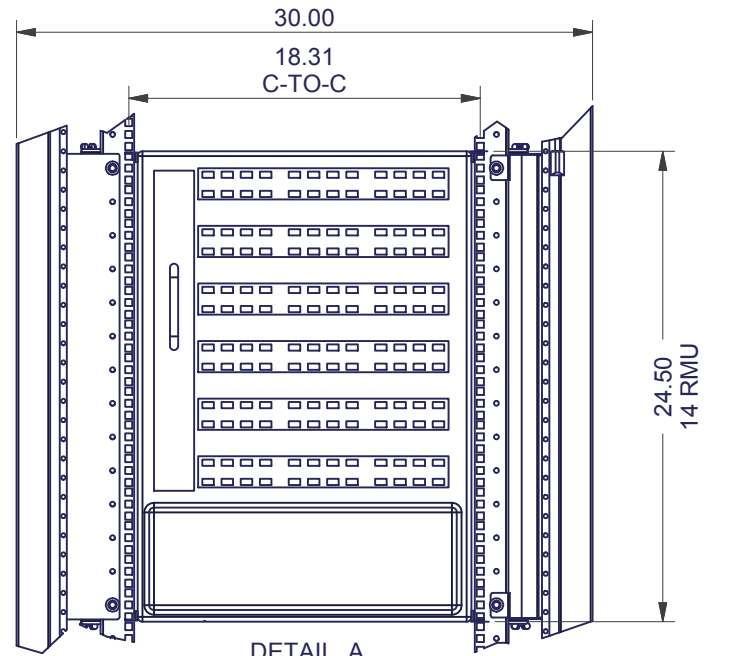
INTERPRET DRAWING PER ASME Y14.5M-1994 DIMENSIONAL LIMITS APPLY AFTER APPLICATION OF FINISH DRAWING NOT TO SCALE TOLERANCE UNLESS OTHERWISE NOTED: ANGULAR +/- .1" .XXXX +/- .010 .XXX +/- .015 .XX +/- .030 .X FOR REF. ONLY		NOTICE: Use of this document is subject to a confidentiality and nondisclosure agreement with Great Lakes Case & Cabinet Co., Inc. (GLCC) and may not be reproduced, disclosed or utilized in whole or in part without prior written authorization from GLCC.	PART NUMBER: ESSAB14DX100		TITLE 14 RMU DEEP ES INTAKE / EXHAUST BAFFLE KIT FOR 9513 CISCO SWITCH	
UNLESS OTHERWISE SPECIFIED ALL DIMENSIONS ARE IN INCHES			QTY PER UNIT: 1 MATERIAL TYPE: MATERIAL GAUGE: FINISH:	GREAT LAKES CASE & CABINET CO., INC. P.O. BOX 551 EDINBORO, PA 16412 PHONE (814) 734-7303 FAX (814) 734-3907 E-MAIL glcc@greatcabinets.com		DWG NO: I014807



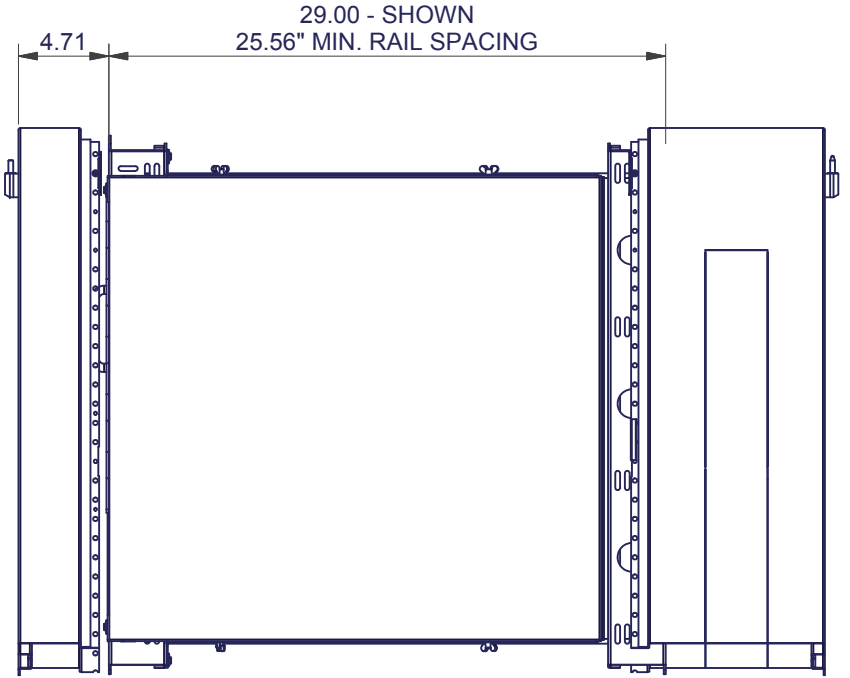
SPECIFIC FOR : 30"W ES ENCLOSURES ONLY (REFERENCE ONLY)



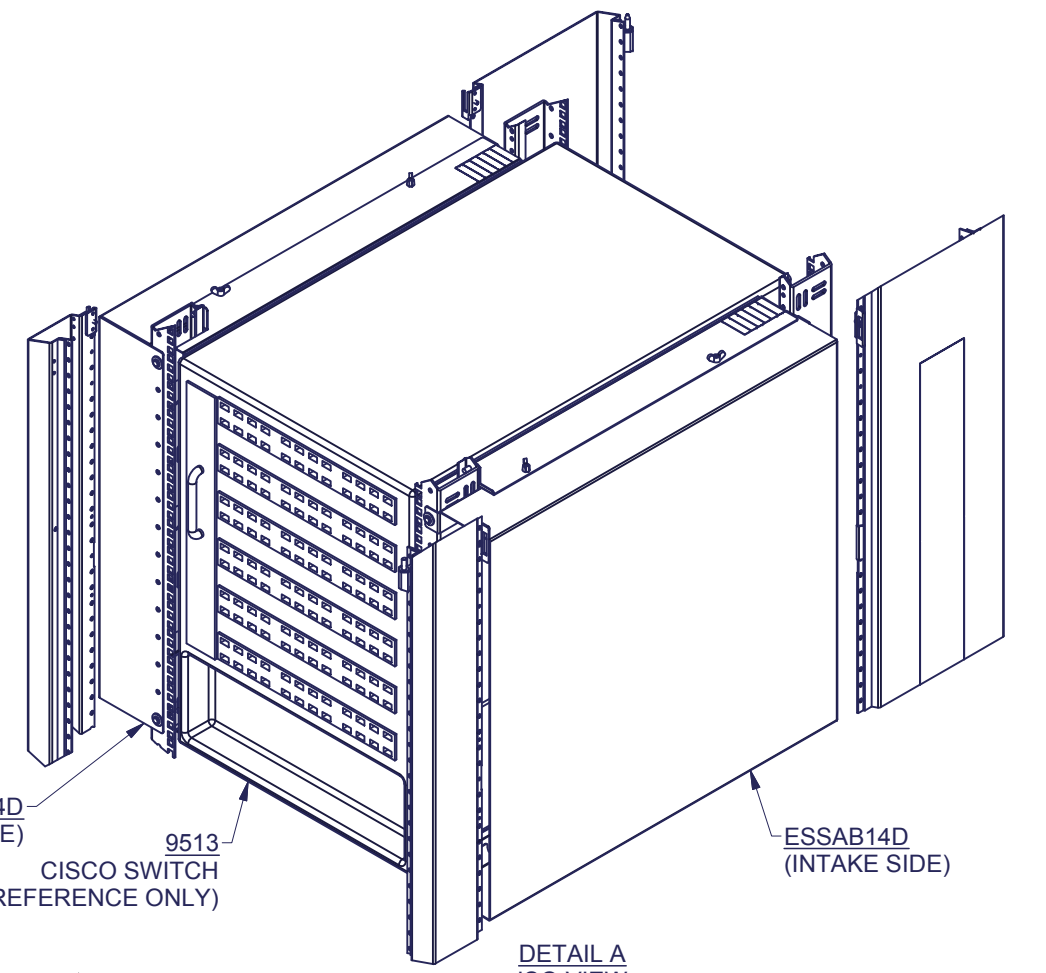
DETAIL A
TOP VIEW



DETAIL A



DETAIL A
RIGHT SIDE VIEW
SIDE PANELS NOT SHOWN



DETAIL A
ISO VIEW
RIGHT SIDE PANEL NOT SHOWN

ENCLOSURE AND SWITCH SHOWN FOR REFERENCE ONLY

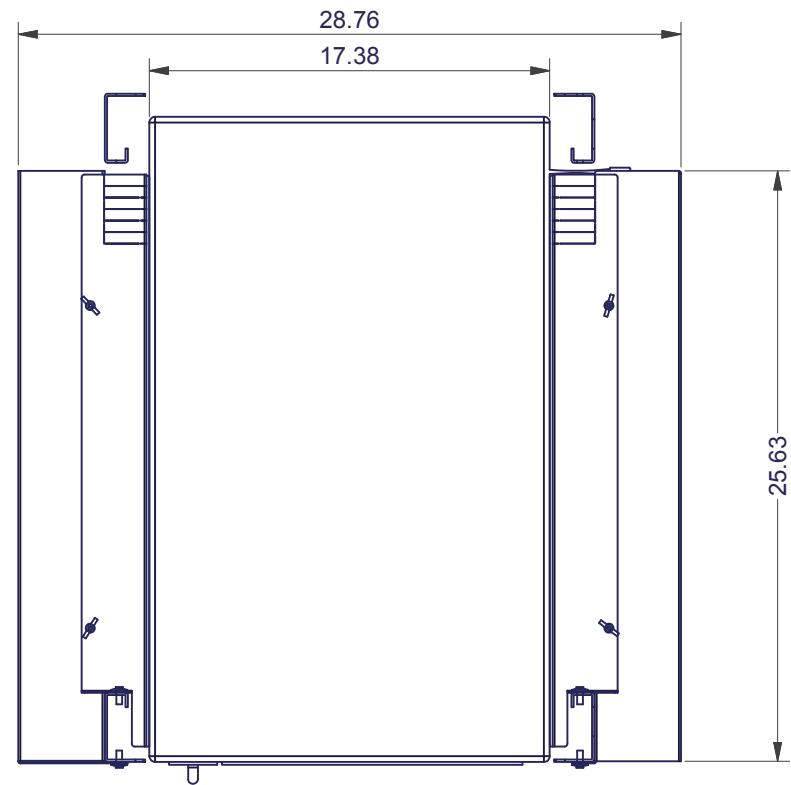
INTERPRET DRAWING PER ASME Y14.5M-1994
 DIMENSIONAL LIMITS APPLY
 AFTER APPLICATION OF FINISH
 DRAWING NOT TO SCALE
 TOLERANCE UNLESS OTHERWISE NOTED:
 ANGULAR +/- .1"
 .XXXX +/- .010
 .XXX +/- .015
 .XX +/- .030
 .X FOR REF. ONLY
 UNLESS OTHERWISE SPECIFIED
 ALL DIMENSIONS ARE IN INCHES

NOTICE:
 Use of this document is subject to a confidentiality and nondisclosure agreement with Great Lakes Case & Cabinet Co., Inc. (GLCC) and may not be reproduced, disclosed or utilized in whole or in part without prior written authorization from GLCC.

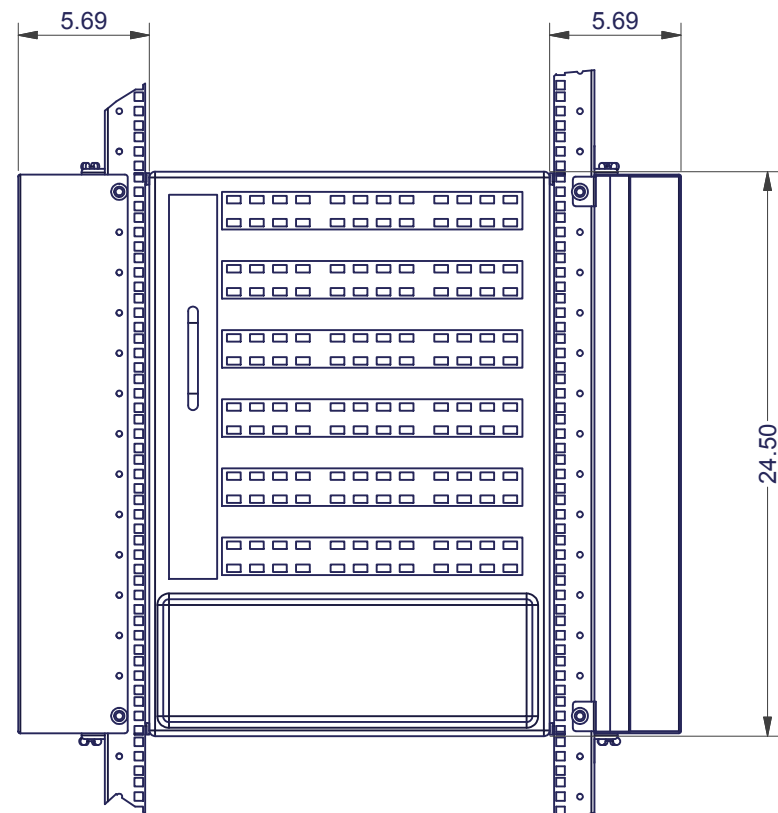
PART NUMBER:
ESSAB14DX100
 QTY PER UNIT: 1
 MATERIAL TYPE:
 MATERIAL GAUGE:
 FINISH:
 DRAWN CD DATE 9/1/2011
 CHECKED & APP. WSS DATE 10/13/10

TITLE
14 RMU DEEP ES INTAKE / EXHAUST BAFFLE KIT FOR 9513 CISCO SWITCH
 GREAT LAKES CASE & CABINET CO., INC.
 P.O. BOX 551 EDINBORO, PA 16412
 PHONE (814) 734-7303 FAX (814) 734-3907
 E-MAIL glcc@greatcabinets.com
 DWG NO: **1012781**
 REV: **0**
 SHEET: 2 OF 3

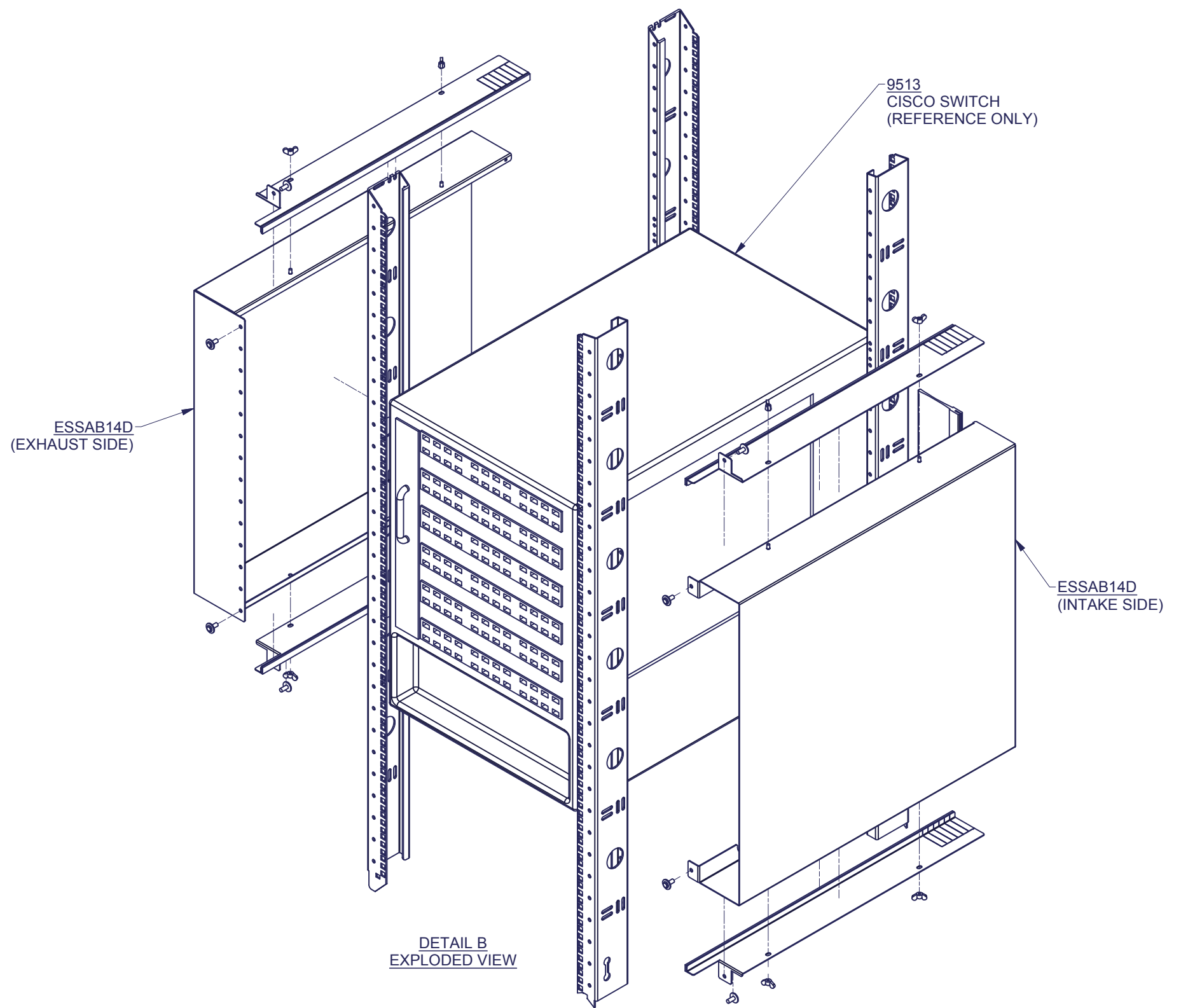




DETAIL A
TOP VIEW



DETAIL B
(ENCLOSURE NOT SHOWN)



DETAIL B
EXPLODED VIEW

RAILS AND SWITCH SHOWN FOR REFERENCE ONLY

INTERPRET DRAWING PER ASME Y14.5M-1994
DIMENSIONAL LIMITS APPLY
AFTER APPLICATION OF FINISH
DRAWING NOT TO SCALE
TOLERANCE UNLESS OTHERWISE NOTED:
ANGULAR +/- 1°
.XXXX +/- .010
.XXX +/- .015
.XX +/- .030
.X FOR REF. ONLY

NOTICE:

Use of this document is subject to a confidentiality and nondisclosure agreement with Great Lakes Case & Cabinet Co., Inc. (GLCC) and may not be reproduced, disclosed or utilized in whole or in part without prior written authorization from GLCC.

PART NUMBER:
ESSAB14DX100
QTY PER UNIT: 1
MATERIAL TYPE:
MATERIAL GAUGE:
FINISH:
DRAWN CD DATE 9/1/2011
CHECKED & APP. WSS DATE 9/1/11

TITLE
14 RMU DEEP ES INTAKE / EXHAUST BAFFLE KIT FOR 9513 CISCO SWITCH
GREAT LAKES CASE & CABINET CO., INC.
P.O. BOX 551 EDINBORO, PA 16412
PHONE (814) 734-7303 FAX (814) 734-3907
E-MAIL glcc@greatcabinets.com

DWG NO: **1014807** REV: **0** SHEET: 3 OF 3



THIRD ANGLE
PROJECTION

UNLESS OTHERWISE SPECIFIED
ALL DIMENSIONS ARE IN INCHES