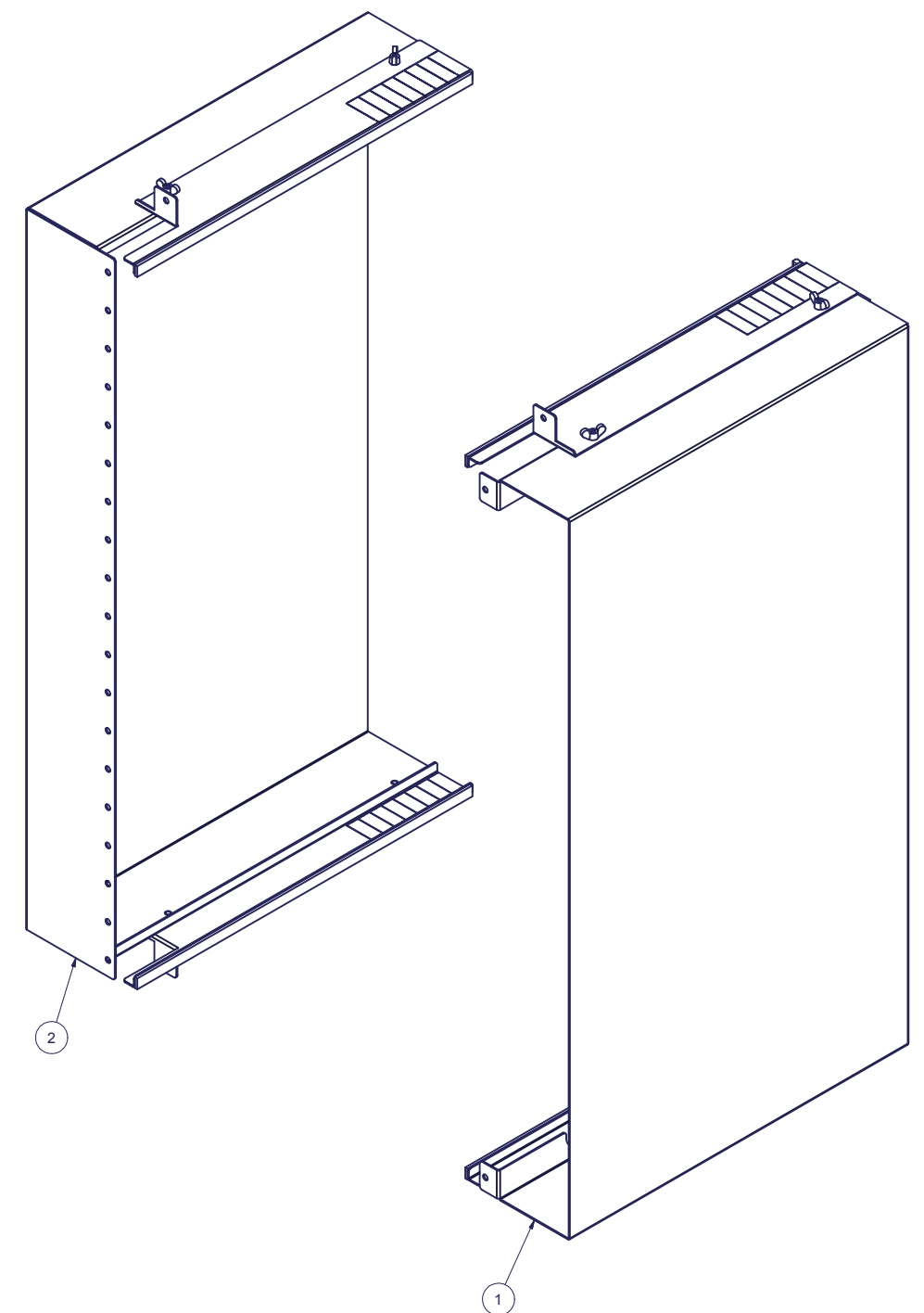
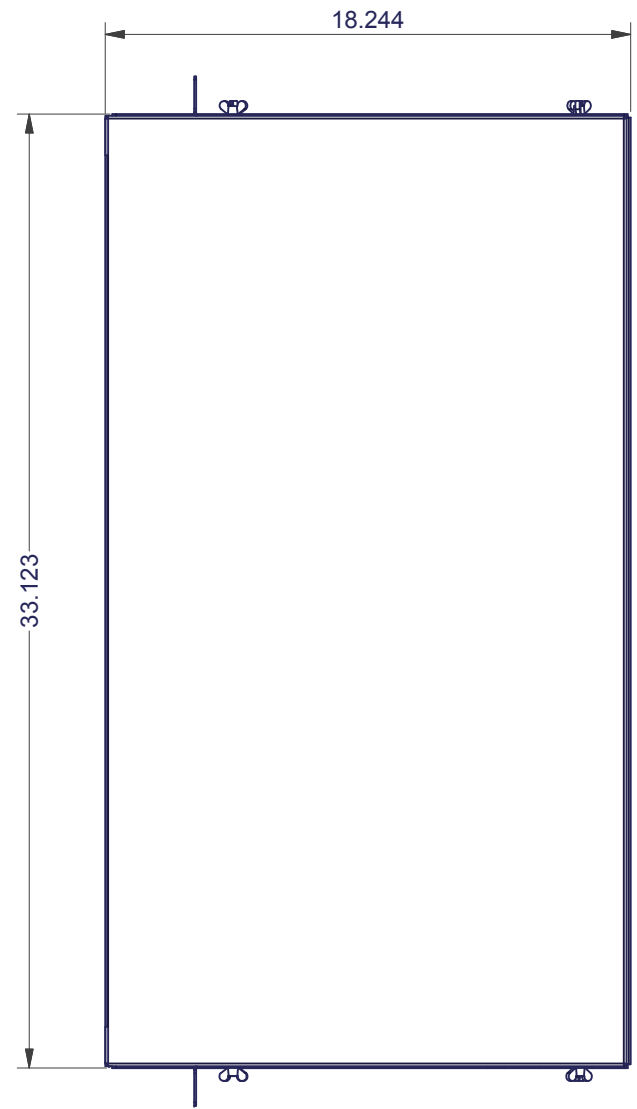
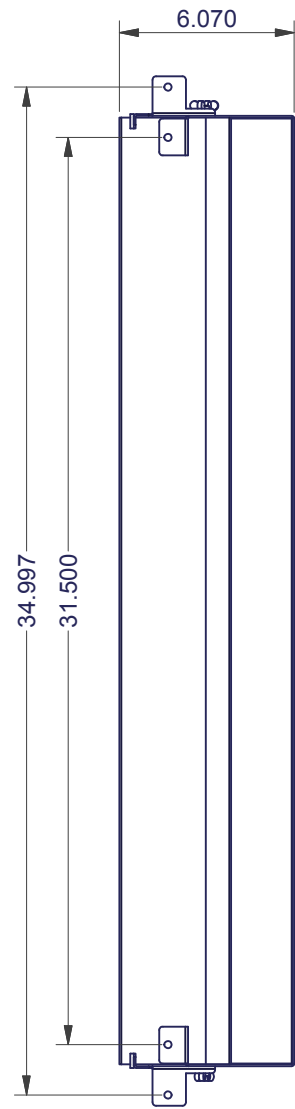
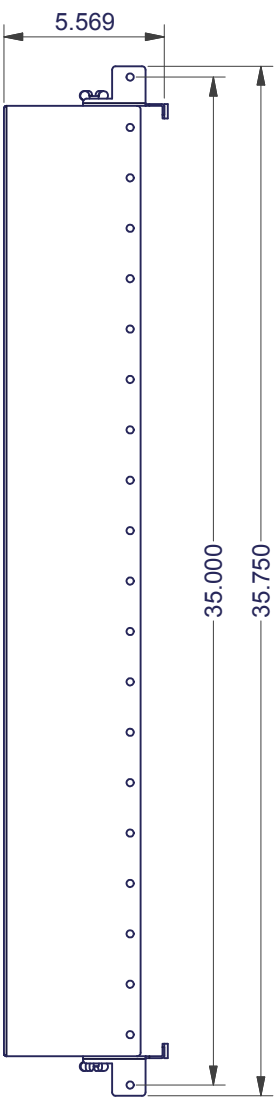
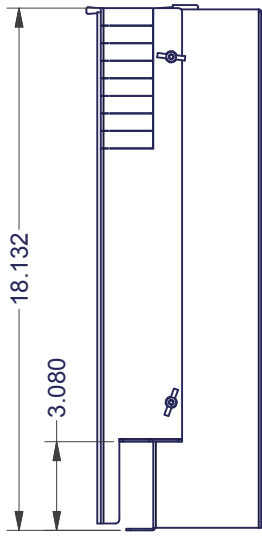
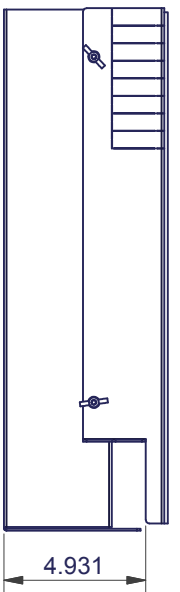


REVISION HISTORY			
REV	DESCRIPTION	DATE	APPROVED
0	ECO-03021	10/13/10	CD

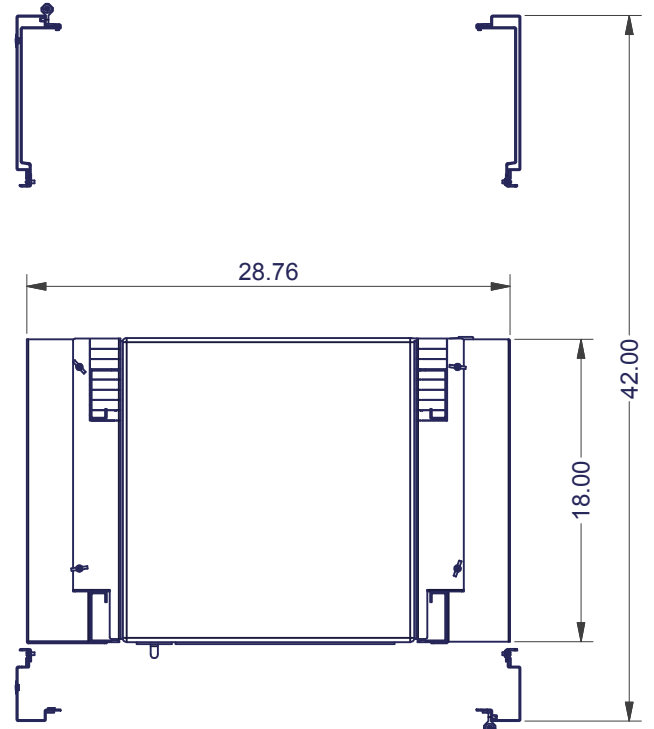
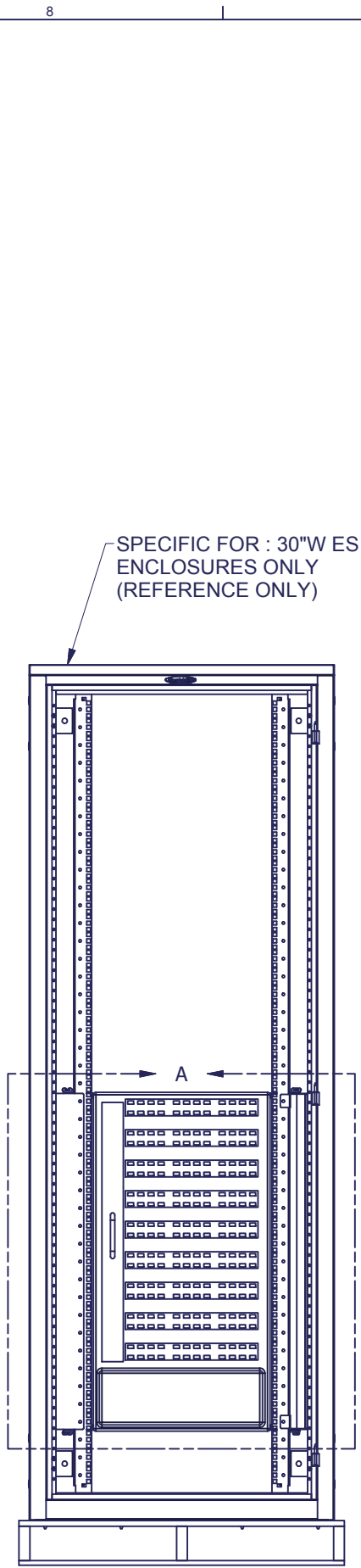
Bill of Material						
ITEM	PART NUMBER	STOCK NUMBER	QTY	DESCRIPTION	FILE NAME	REVISION
1			1	ES INTAKE BAFFLE FOR 6513-E CISCO SWITCH	I012790.iam	0
2			1	ES EXHAUST BAFFLE FOR 6513-E CISCO SWITCH	I012795.iam	0



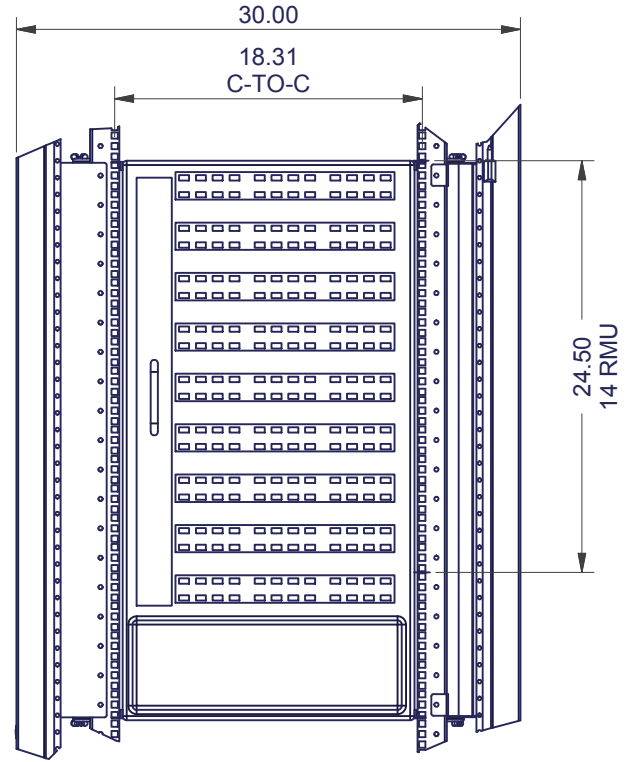
NOTES:
 1. PACKAGE TOGETHER AS KIT
 2. SEE SHEET 2 FOR INSTALLATION INSTRUCTIONS

INTERPRET DRAWING PER ASME Y14.5M-1994 DIMENSIONAL LIMITS APPLY AFTER APPLICATION OF FINISH DRAWING NOT TO SCALE TOLERANCE UNLESS OTHERWISE NOTED: ANGULAR +/- 1° .XXXX +/- .010 .XXX +/- .015 .XX +/- .030 .X FOR REF. ONLY	NOTICE: Use of this document is subject to a confidentiality and nondisclosure agreement with Great Lakes Case & Cabinet Co., Inc. (GLCC) and may not be reproduced, disclosed or utilized in whole or in part without prior written authorization from GLCC.	PART NUMBER: ESSAB19X100	TITLE 19 RMU ES INTAKE & EXHAUST BAFFLE FOR 6513-E CISCO SWITCH
		QTY PER UNIT: 1	GREAT LAKES CASE & CABINET CO., INC. P.O. BOX 551 EDINBORO, PA 16412 PHONE (814) 734-7303 FAX (814) 734-3907 E-MAIL glcc@greatcabinets.com
		MATERIAL TYPE: -	
		MATERIAL GAUGE: -	
FINISH: -	DRAWN CD	DATE 10/13/2010	DWG NO: 1012789
CHECKED & APP. WSS	DATE 10/13/10	REV 0	SHEET: 1 OF 3



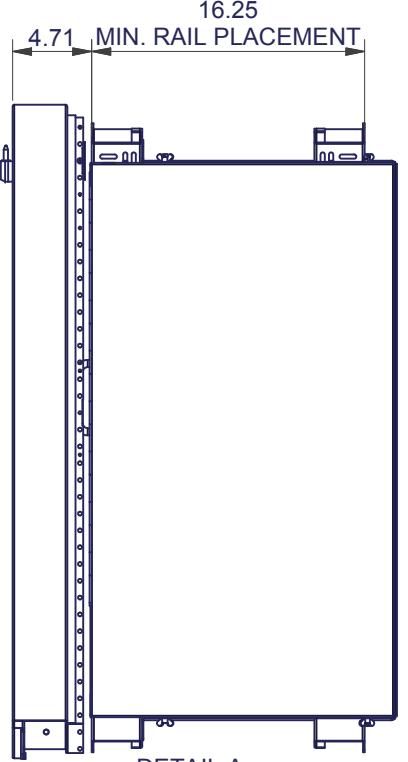


DETAIL A
TOP VIEW

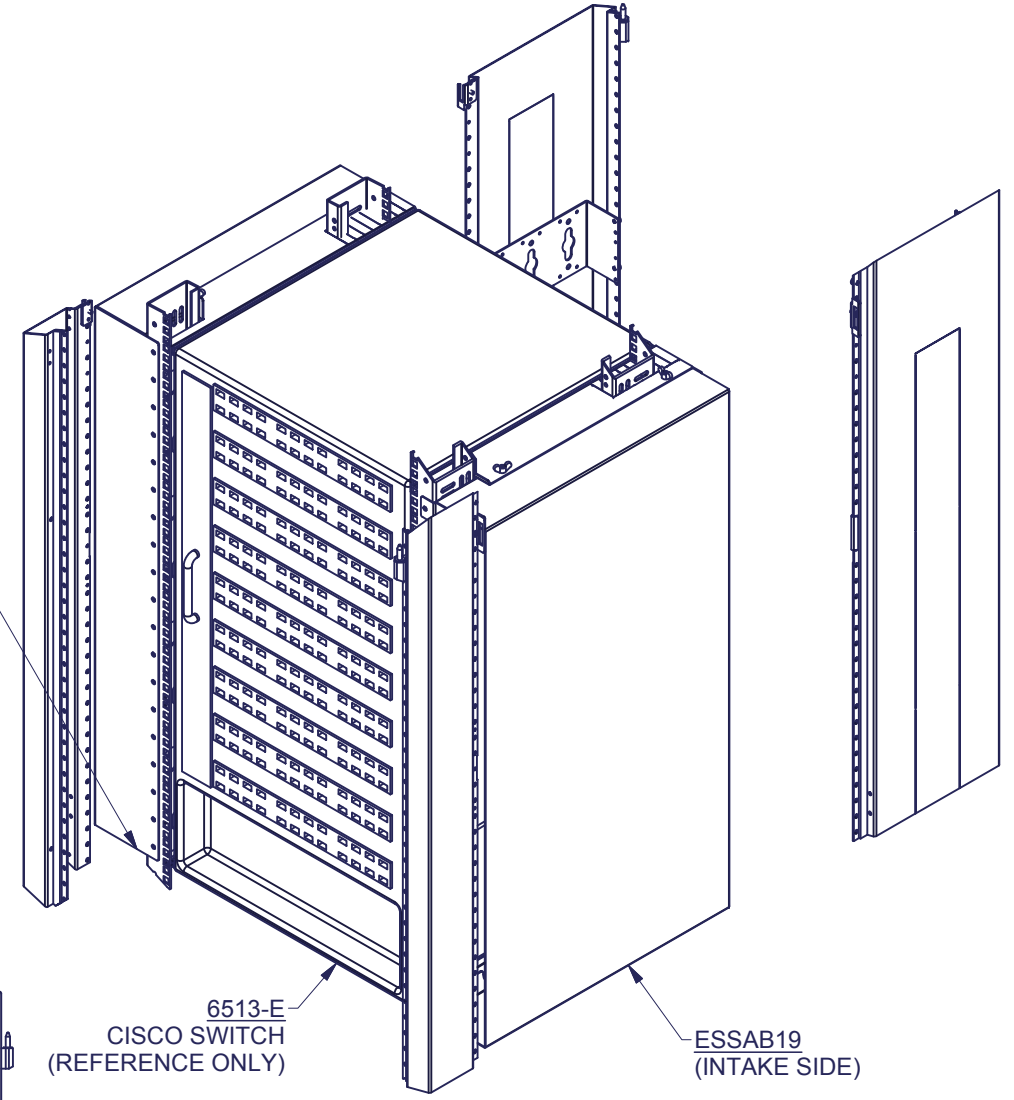


DETAIL A

ENCLOSURE AND SWITCH SHOWN FOR REFERENCE ONLY



DETAIL A
RIGHT SIDE VIEW
SIDE PANELS NOT SHOWN



DETAIL A
ISO VIEW
RIGHT SIDE PANEL NOT SHOWN

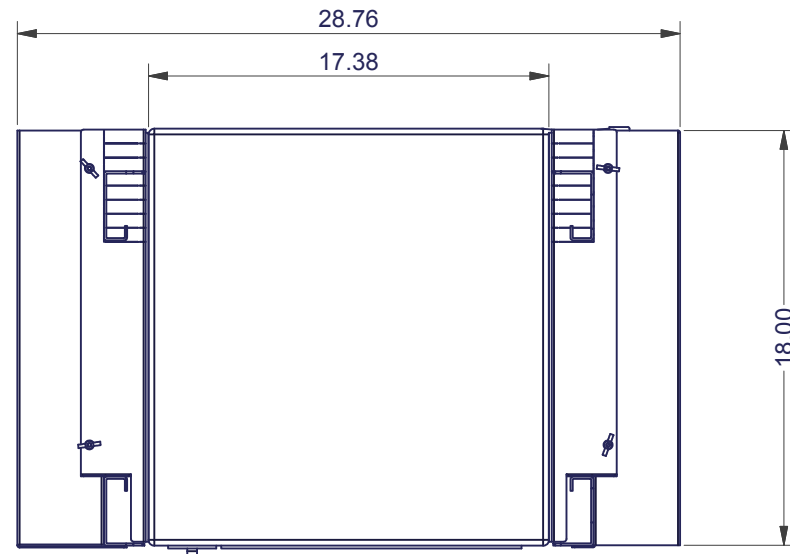
INTERPRET DRAWING PER ASME Y14.5M-1994
DIMENSIONAL LIMITS APPLY AFTER APPLICATION OF FINISH
DRAWING NOT TO SCALE
TOLERANCE UNLESS OTHERWISE NOTED:
ANGULAR +/- .1°
.XXXX +/- .010
.XXX +/- .015
.XX +/- .030
.X FOR REF. ONLY
UNLESS OTHERWISE SPECIFIED ALL DIMENSIONS ARE IN INCHES

NOTICE:
Use of this document is subject to a confidentiality and nondisclosure agreement with Great Lakes Case & Cabinet Co., Inc. (GLCC) and may not be reproduced, disclosed or utilized in whole or in part without prior written authorization from GLCC.

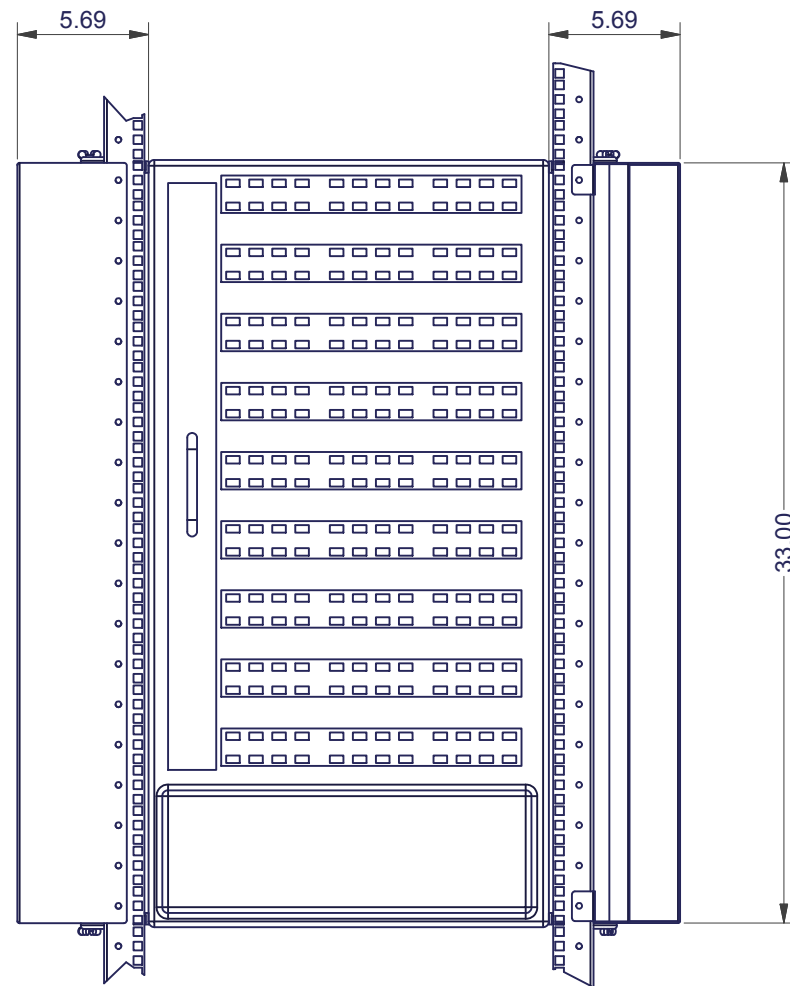
PART NUMBER: ESSAB19X100
QTY PER UNIT: 1
MATERIAL TYPE:
MATERIAL GAUGE:
FINISH:
DRAWN CD DATE 10/13/2010
CHECKED & APP. WSS DATE 10/13/10

TITLE 19 RMU ES INTAKE & EXHAUST BAFFLE FOR 6513-E CISCO SWITCH
GREAT LAKES CASE & CABINET CO., INC. P.O. BOX 551 EDINBORO, PA 16412 PHONE (814) 734-7303 FAX (814) 734-3907 E-MAIL glcc@greatcabinets.com
DWG NO: 1012789
REV 0
SHEET: 2 OF 3

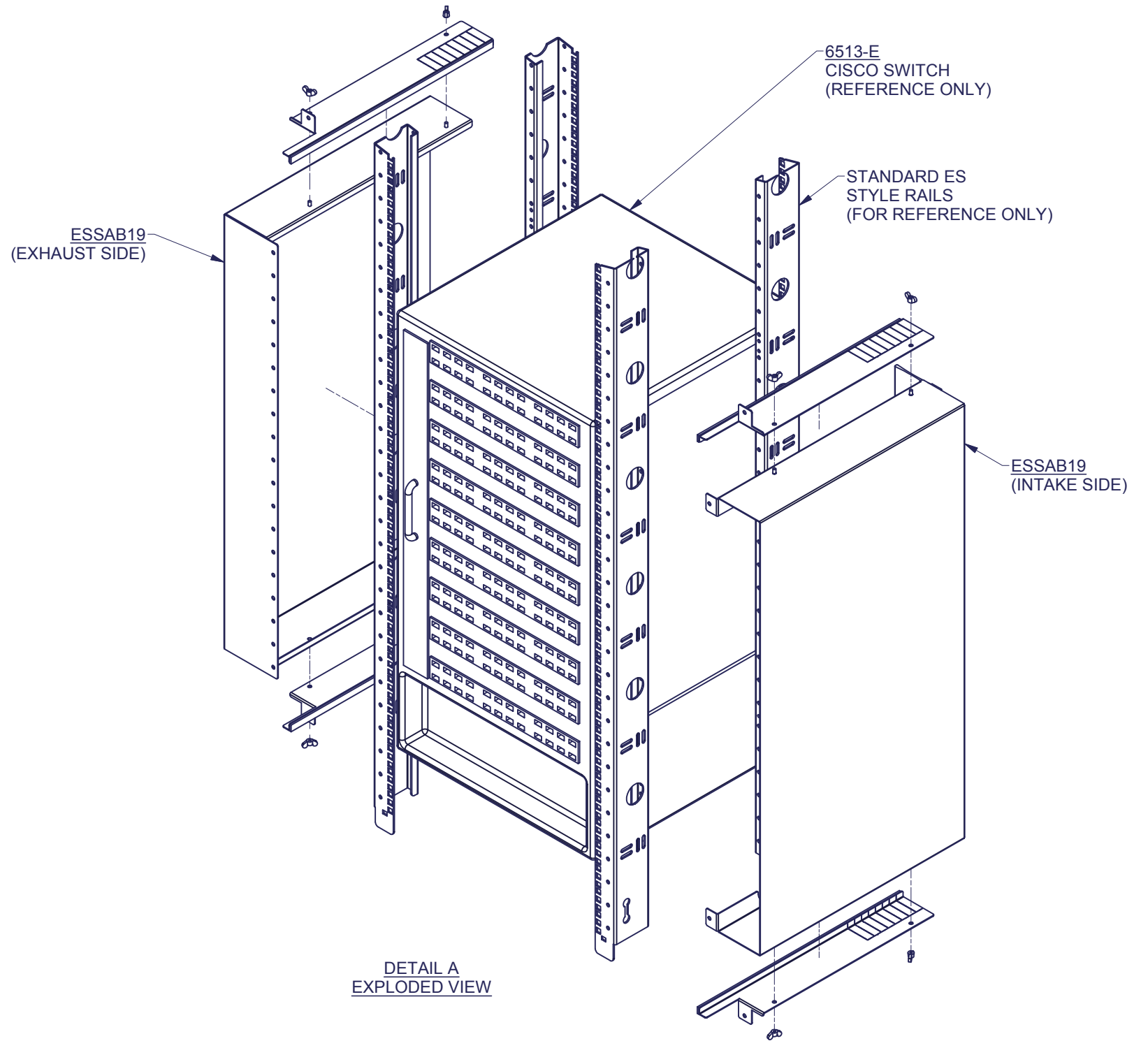




DETAIL A
TOP VIEW



DETAIL A
(ENCLOSURE NOT SHOWN)



DETAIL A
EXPLODED VIEW

RAILS AND SWITCH SHOWN FOR REFERENCE ONLY

INTERPRET DRAWING PER ASME Y14.5M-1994
 DIMENSIONAL LIMITS APPLY
 AFTER APPLICATION OF FINISH
 DRAWING NOT TO SCALE
 TOLERANCE UNLESS OTHERWISE NOTED:
 ANGULAR +/- .1°
 .XXXX +/- .010
 .XXX +/- .015
 .XX +/- .030
 X FOR REF. ONLY

NOTICE:

Use of this document is subject to a confidentiality and nondisclosure agreement with Great Lakes Case & Cabinet Co., Inc. (GLCC) and may not be reproduced, disclosed or utilized in whole or in part without prior written authorization from GLCC.

PART NUMBER:
ESSAB19X100
 QTY PER UNIT: 1
 MATERIAL TYPE:
 MATERIAL GAUGE:
 FINISH:
 DRAWN CD DATE 10/13/2010
 CHECKED & APP. WSS DATE 10/13/10

TITLE
19 RMU ES INTAKE & EXHAUST BAFFLE FOR 6513-E CISCO SWITCH
 GREAT LAKES CASE & CABINET CO., INC.
 P.O. BOX 551 EDINBORO, PA 16412
 PHONE (814) 734-7303 FAX (814) 734-3907
 E-MAIL glcc@greatcabinets.com



THIRD ANGLE PROJECTION
 UNLESS OTHERWISE SPECIFIED
 ALL DIMENSIONS ARE IN INCHES

DWG NO: **1012789**
 REV: **0**
 SHEET: 3 OF 3