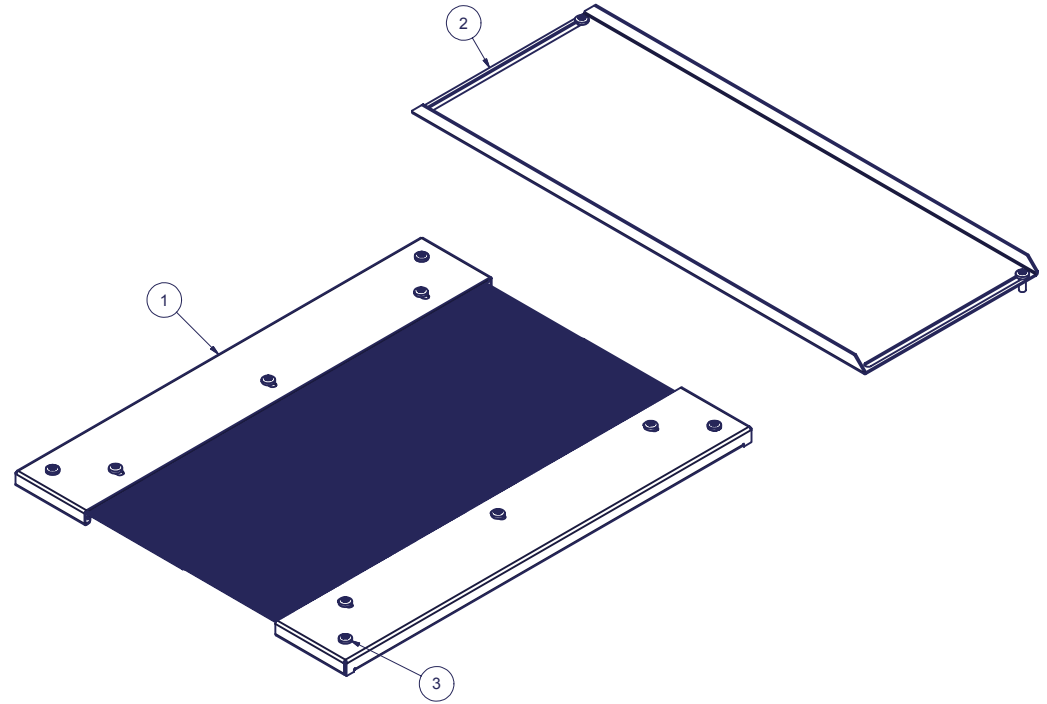
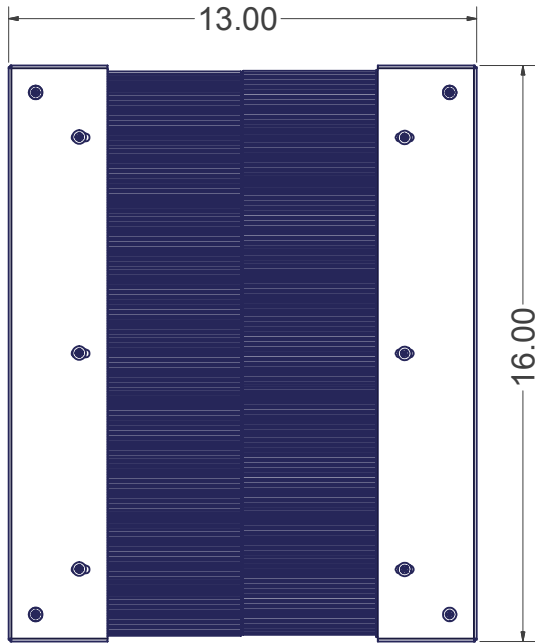
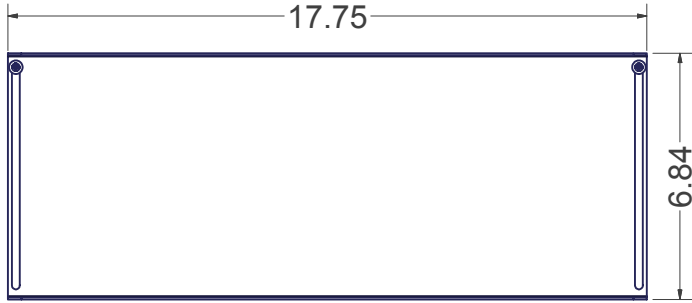


REVISION HISTORY			
REV	DESCRIPTION	DATE	APPROVED
0	ECO-01412	6/1/2004	WSS
1	ECO-02683	10/12/2009	FED

1

Bill of Material						
ITEM	PART NUMBER	STOCK NUMBER	QTY	DESCRIPTION	FILE NAME	REV
1	BPEBX100		1	ENHANCED BRUSH GROMMET BOTTOM PANEL ASSEMBLY	I001151.iam	2
2	BPES29BX100		1	REAR COVER PLATE - 29"W ENHANCED	I000159.ipt	2
3	H01-078	H01-078	6	SCREW, 10-32x1/2" PH PAN TYPE 23 BLACK OXIDE/WAX RoHS	SCR1032X500BLK.ipt	-



INTERPRET DRAWING PER ASME Y14.5M-1994
 DIMENSIONAL LIMITS APPLY
 AFTER APPLICATION OF FINISH
 DRAWING NOT TO SCALE
 TOLERANCE UNLESS OTHERWISE NOTED:
 ANGULAR +/- 1°
 .XXXX +/- .010
 .XXX +/- .015
 .XX +/- .030
 .X FOR REF. ONLY

NOTICE:
 Use of this document is subject to a confidentiality and nondisclosure agreement with Great Lakes Case & Cabinet Co., Inc. (GLCC) and may not be reproduced, disclosed or utilized in whole or in part without prior written authorization from GLCC.

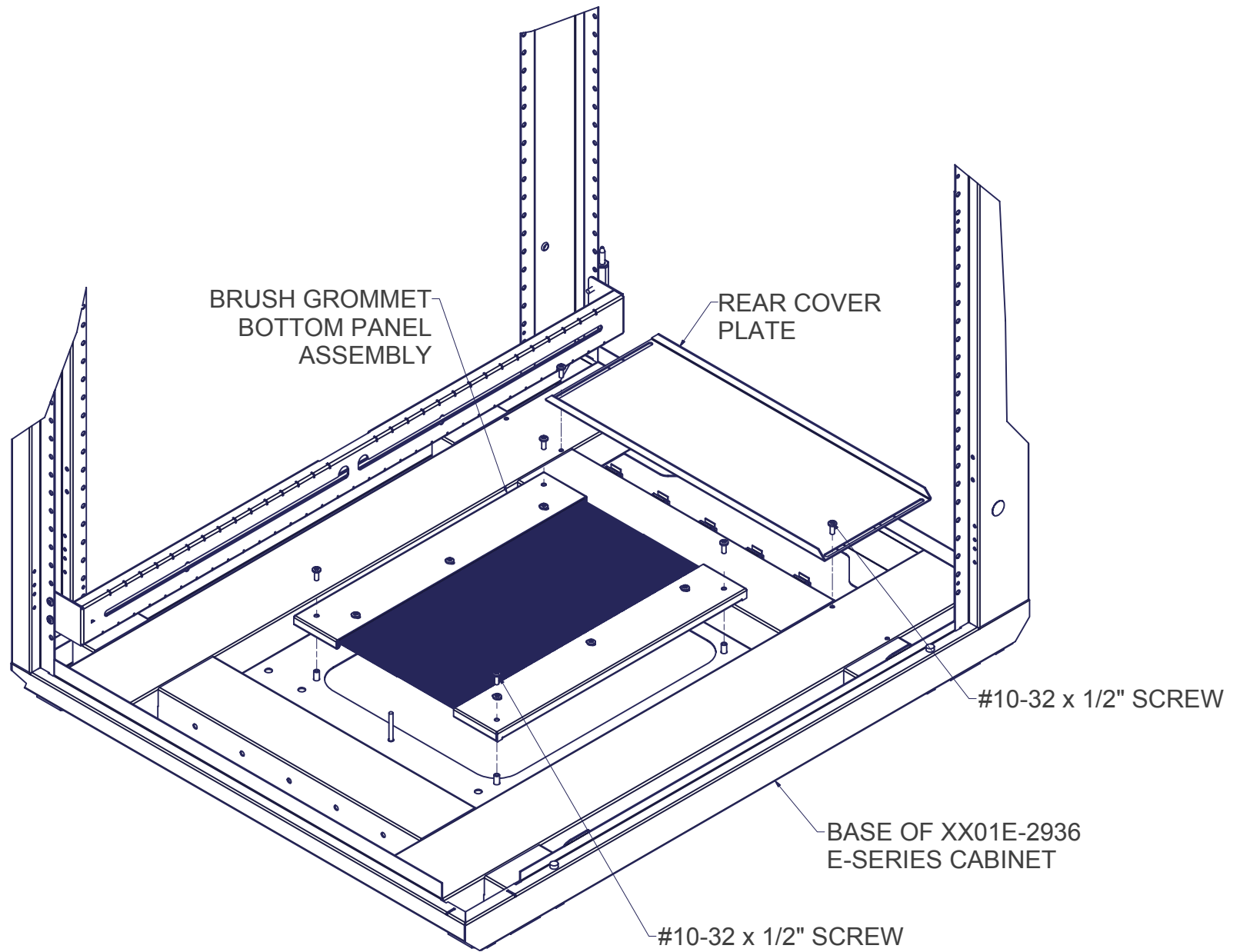
PART NUMBER:
BPB29
 QTY PER UNIT: 1
 MATERIAL TYPE:
 CRS
 MATERIAL GAUGE:
#16 GA
 FINISH:
 -
 DRAWN DATE
 WSS 5/28/2004
 CHECKED & APP. DATE
 J.A.L. 6/1/04

TITLE
ENHANCED BRUSH GROMMET BOTTOM KIT - 29" WIDE FRAME.
GREAT LAKES CASE & CABINET CO., INC.
 P.O. BOX 551 EDINBORO, PA 16412
 PHONE (814) 734-7303 FAX (814) 734-3907
 E-MAIL glcc@greatcabinets.com



UNLESS OTHERWISE SPECIFIED
 ALL DIMENSIONS ARE IN INCHES

DWG NO: **I002227** REV: **1** SHEET: 1 OF 2



INTERPRET DRAWING PER ASME Y14.5M-1994
 DIMENSIONAL LIMITS APPLY
 AFTER APPLICATION OF FINISH
 DRAWING NOT TO SCALE
 TOLERANCE UNLESS OTHERWISE NOTED:
 ANGULAR +/- 1°
 .XXXX +/- .010
 .XXX +/- .015
 .XX +/- .030
 .X FOR REF. ONLY

NOTICE:
 Use of this document is subject to a confidentiality and nondisclosure agreement with Great Lakes Case & Cabinet Co., Inc. (GLCC) and may not be reproduced, disclosed or utilized in whole or in part without prior written authorization from GLCC.

PART NUMBER:
BPB29
 QTY PER UNIT: 1
 MATERIAL TYPE:
 CRS
 MATERIAL GAUGE:
 FINISH:
 -
 DRAWN: JL DATE: 9/8/2005
 CHECKED & APP. DATE: 9-8-05
 WSS

TITLE
ENHANCED BRUSH GROMMET BOTTOM KIT - 29" WIDE FRAME
 GREAT LAKES CASE & CABINET CO., INC.
 P.O. BOX 551 EDINBORO, PA 16412
 PHONE (814) 734-7303 FAX (814) 734-3907
 E-MAIL glcc@greatcabinets.com

DWG NO: 1002227
 REV: 1
 SHEET: 2 OF 2



THIRD ANGLE PROJECTION
 UNLESS OTHERWISE SPECIFIED
 ALL DIMENSIONS ARE IN INCHES