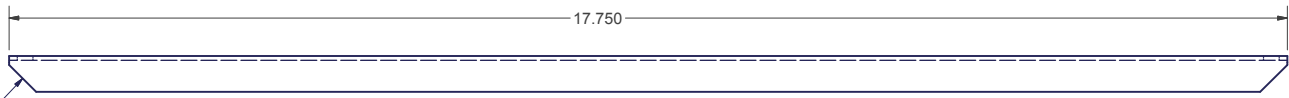
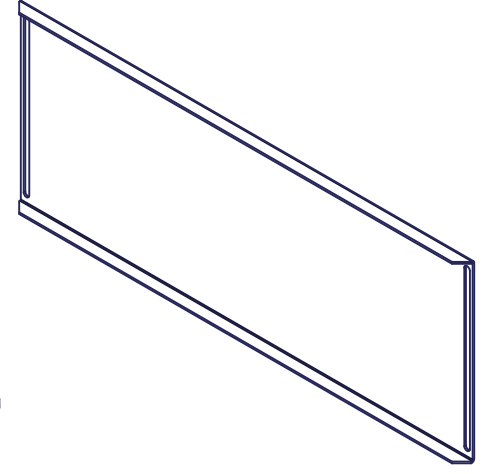
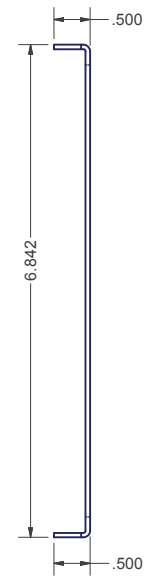


REVISION HISTORY			
REV	DESCRIPTION	DATE	APPROVED
2	ECO-01356	2/5/2004	WSS



.375 CHAMFER  
(4 PLCS)



INTERPRET DRAWING PER ASME Y14.5M-1994
DIMENSIONAL LIMITS APPLY AFTER APPLICATION OF FINISH
DRAWING NOT TO SCALE
TOLERANCE UNLESS OTHERWISE NOTED: ANGULAR +/- 1 .XXXX +/- .010 .XXX +/- .015 .XX +/- .030 .X FOR REF. ONLY
UNLESS OTHERWISE SPECIFIED ALL DIMENSIONS ARE IN INCHES

**NOTICE:**  
Use of this document is subject to a confidentiality and nondisclosure agreement with Great Lakes Case & Cabinet Co., Inc. (GLCC) and may not be reproduced, disclosed or utilized in whole or in part without prior written authorization from GLCC.

PART NUMBER: BPES29
QTY PER UNIT: 1
MATERIAL TYPE:
MATERIAL GAUGE: 16 GA
FINISH: SEE NOTES
DRAWN CA 6-4-02
CHECKED JL 6-4-02

TITLE <b>REAR COVER PLATE - 29"W ENHANCED</b>	
GREAT LAKES CASE & CABINET CO., INC. P.O. BOX 551 EDINBORO, PA 16412 PHONE (814) 734-7303 FAX (814) 734-3907 E-MAIL glcc@greatcabinets.com	
DWG NO: 1000159	REV 2
SHEET 1 OF 1	