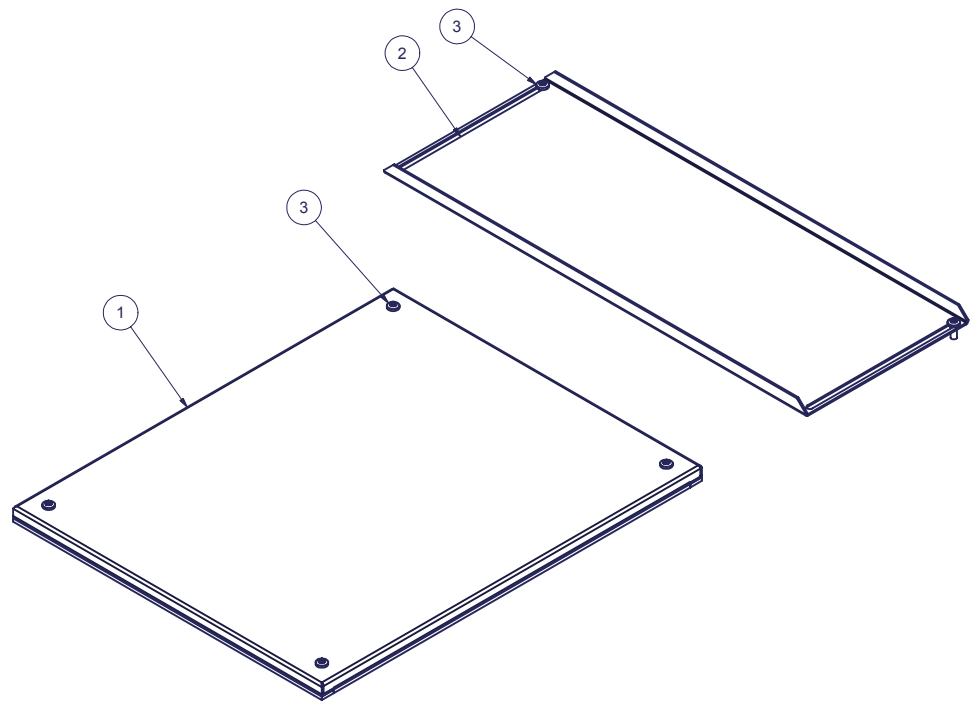
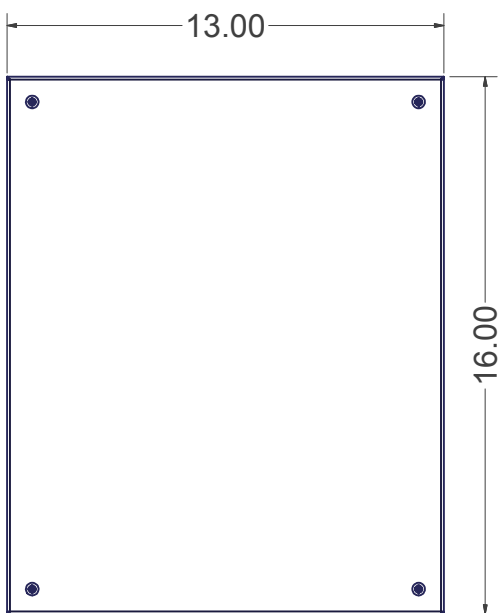
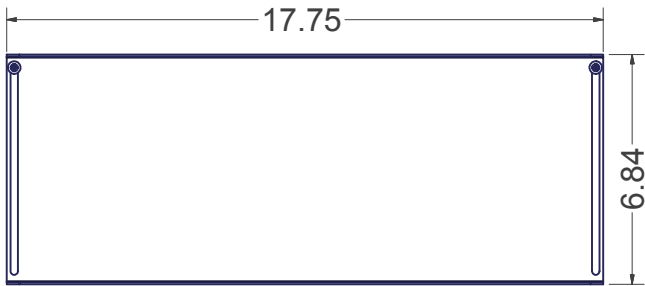


REVISION HISTORY			
REV	DESCRIPTION	DATE	APPROVED
0	ECO-01412	6/1/2004	WSS
1	ECO-02683	10/9/2009	FED

1

Bill of Material						
ITEM	PART NUMBER	STOCK NUMBER	QTY	DESCRIPTION	FILE NAME	REV
1	BPESX100		1	BOTTOM PANEL, SOLID FOR E CABINETS, ASSEMBLY	I000490.iam	4
2	BPES29BX100		1	REAR COVER PLATE - 29"W ENHANCED	I000159.ipt	2
3	H01-078	H01-078	6	SCREW, 10-32x1/2" PH PAN TYPE 23 BLACK OXIDE/WAX RoHS	SCR1032X500BLK.ipt	-

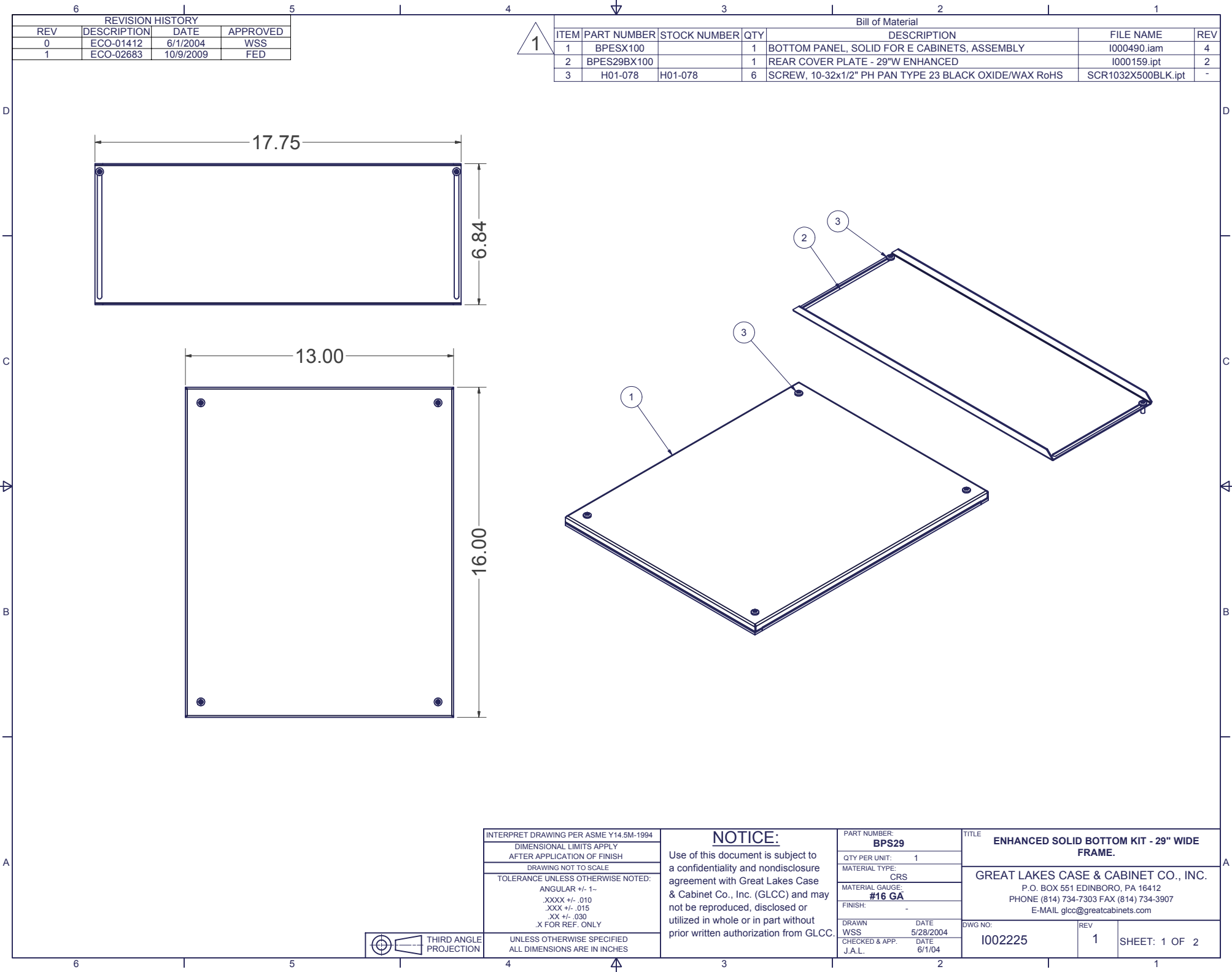


INTERPRET DRAWING PER ASME Y14.5M-1994 DIMENSIONAL LIMITS APPLY AFTER APPLICATION OF FINISH DRAWING NOT TO SCALE TOLERANCE UNLESS OTHERWISE NOTED: ANGULAR +/- 1- .XXXX +/- .010 .XXX +/- .015 .XX +/- .030 .X FOR REF. ONLY	UNLESS OTHERWISE SPECIFIED ALL DIMENSIONS ARE IN INCHES
---	--

NOTICE:
 Use of this document is subject to a confidentiality and nondisclosure agreement with Great Lakes Case & Cabinet Co., Inc. (GLCC) and may not be reproduced, disclosed or utilized in whole or in part without prior written authorization from GLCC.

PART NUMBER:	BPS29
QTY PER UNIT:	1
MATERIAL TYPE:	CRS
MATERIAL GAUGE:	#16 GA
FINISH:	-
DRAWN	DATE
WSS	5/28/2004
CHECKED & APP.	DATE
J.A.L.	6/1/04

TITLE	ENHANCED SOLID BOTTOM KIT - 29" WIDE FRAME.		
	GREAT LAKES CASE & CABINET CO., INC. P.O. BOX 551 EDINBORO, PA 16412 PHONE (814) 734-7303 FAX (814) 734-3907 E-MAIL glcc@greatcabinets.com		
DWG NO:	I002225	REV	1
		SHEET: 1 OF 2	



SOLID BOTTOM PANEL

#10-32 x 1/2" SCREW

REAR COVER PLATE

#10-32 x 1/2" SCREW

BASE OF XX01E-2936
E-SERIES CABINET



THIRD ANGLE
PROJECTION

INTERPRET DRAWING PER ASME Y14.5M-1994
DIMENSIONAL LIMITS APPLY
AFTER APPLICATION OF FINISH
DRAWING NOT TO SCALE
TOLERANCE UNLESS OTHERWISE NOTED:
ANGULAR +/- 1-
.XXXX +/- .010
.XXX +/- .015
.XX +/- .030
.X FOR REF. ONLY

UNLESS OTHERWISE SPECIFIED
ALL DIMENSIONS ARE IN INCHES

NOTICE:

Use of this document is subject to a confidentiality and nondisclosure agreement with Great Lakes Case & Cabinet Co., Inc. (GLCC) and may not be reproduced, disclosed or utilized in whole or in part without prior written authorization from GLCC.

PART NUMBER:
BPS29
QTY PER UNIT: 1
MATERIAL TYPE:
CRS
MATERIAL GAUGE:
FINISH:
-
DRAWN: JL DATE: 9/7/2005
CHECKED & APP. WSS DATE: 9-7-05

TITLE ENHANCED SOLID BOTTOM KIT - 29" WIDE FRAME	
GREAT LAKES CASE & CABINET CO., INC. P.O. BOX 551 EDINBORO, PA 16412 PHONE (814) 734-7303 FAX (814) 734-3907 E-MAIL glcc@greatcabinets.com	
DWG NO: 1002225	REV 1
SHEET: 2 OF 2	