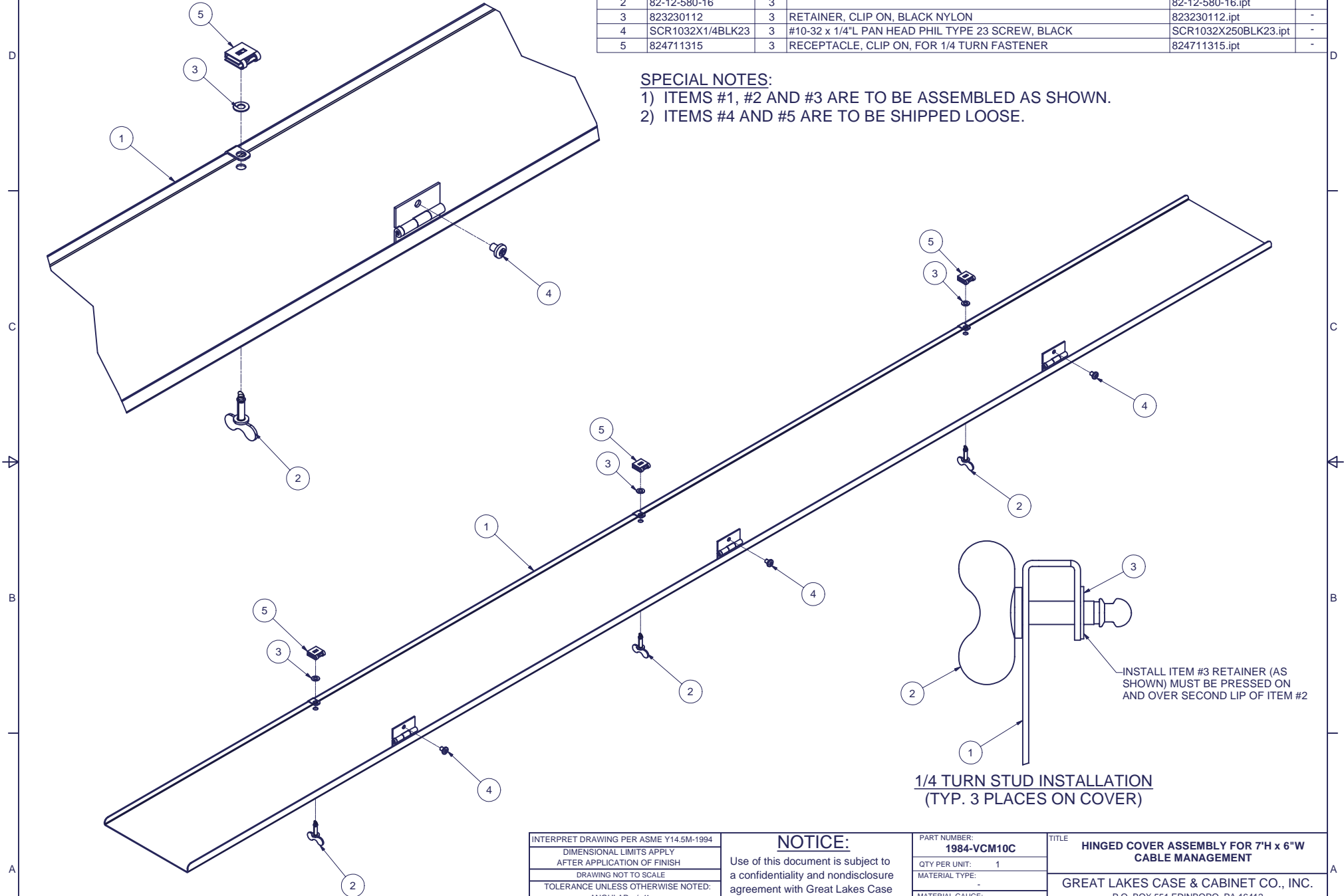


REVISION HISTORY			
REV	DESCRIPTION	DATE	APPROVED
0	ECO-01488	1/10/2005	JL

Bill of Material					
ITEM	PART NUMBER	QTY	DESCRIPTION	FILE NAME	REV
1	-	1	7'H x 6"W HINGED COVER WELDMENT	1002736.iam	0
2	82-12-580-16	3		82-12-580-16.ipt	-
3	823230112	3	RETAINER, CLIP ON, BLACK NYLON	823230112.ipt	-
4	SCR1032X1/4BLK23	3	#10-32 x 1/4"L PAN HEAD PHIL TYPE 23 SCREW, BLACK	SCR1032X250BLK23.ipt	-
5	824711315	3	RECEPTACLE, CLIP ON, FOR 1/4 TURN FASTENER	824711315.ipt	-

SPECIAL NOTES:

- 1) ITEMS #1, #2 AND #3 ARE TO BE ASSEMBLED AS SHOWN.
- 2) ITEMS #4 AND #5 ARE TO BE SHIPPED LOOSE.



1/4 TURN STUD INSTALLATION
(TYP. 3 PLACES ON COVER)

INTERPRET DRAWING PER ASME Y14.5M-1994
 DIMENSIONAL LIMITS APPLY
 AFTER APPLICATION OF FINISH
 DRAWING NOT TO SCALE
 TOLERANCE UNLESS OTHERWISE NOTED:
 ANGULAR +/- 1'
 .XXXX +/- .010
 .XXX +/- .015
 .XX +/- .030
 .X FOR REF. ONLY

NOTICE:
 Use of this document is subject to a confidentiality and nondisclosure agreement with Great Lakes Case & Cabinet Co., Inc. (GLCC) and may not be reproduced, disclosed or utilized in whole or in part without prior written authorization from GLCC.

PART NUMBER:
1984-VCM10C
 QTY PER UNIT: 1
 MATERIAL TYPE: -
 MATERIAL GAUGE: -
 FINISH: -
 DRAWN: jaye
 CHECKED & APP. WSS
 DATE: 12/14/2004
 DATE: 1-10-05

TITLE
HINGED COVER ASSEMBLY FOR 7'H x 6"W CABLE MANAGEMENT
GREAT LAKES CASE & CABINET CO., INC.
 P.O. BOX 551 EDINBORO, PA 16412
 PHONE (814) 734-7303 FAX (814) 734-3907
 E-MAIL glcc@greatcabinets.com

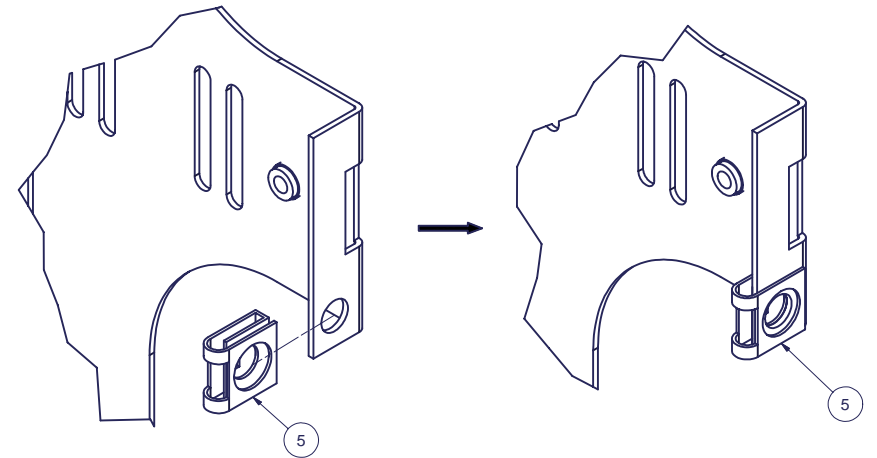
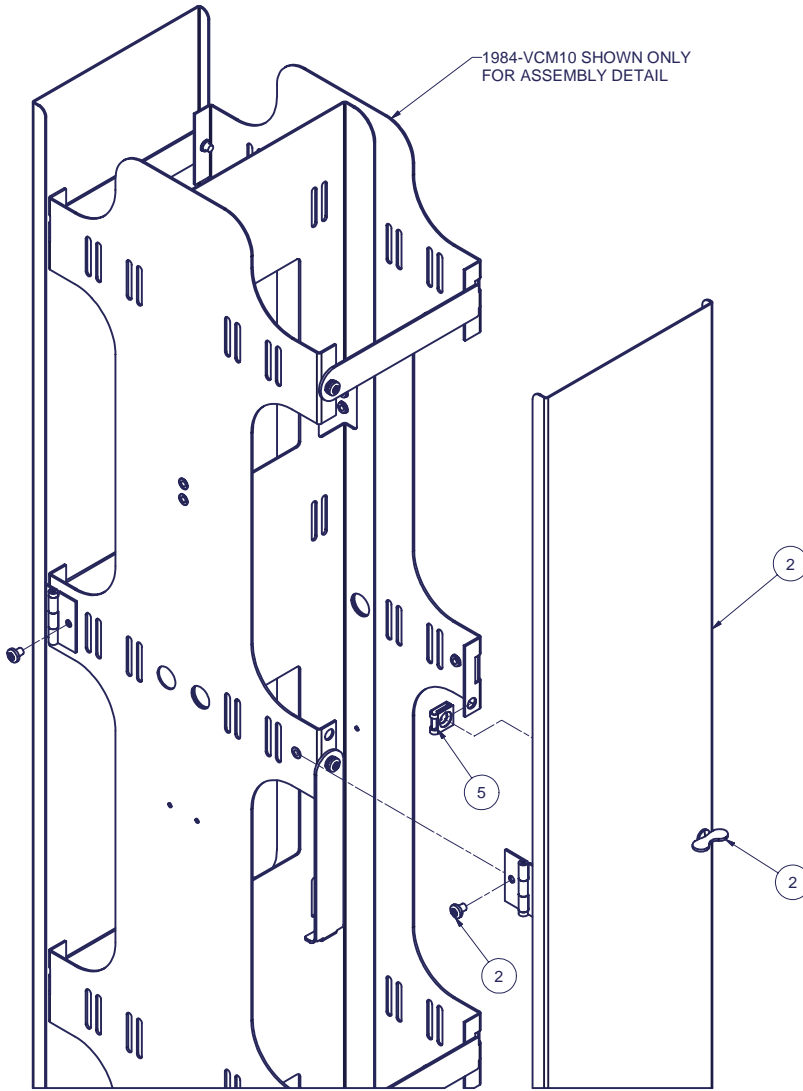


UNLESS OTHERWISE SPECIFIED
 ALL DIMENSIONS ARE IN INCHES

DWG NO: **1002735**
 REV: **0**
 SHEET: 1 OF 2

6 5 4 3 2 1

REVISION HISTORY			
REV	DESCRIPTION	DATE	APPROVED
0	ECO-01488	1/10/2005	JL



RECEPTACLE DETAIL

D
C
B
A

D
C
B
A

INTERPRET DRAWING PER ASME Y14.5M-1994
DIMENSIONAL LIMITS APPLY AFTER APPLICATION OF FINISH
DRAWING NOT TO SCALE
TOLERANCE UNLESS OTHERWISE NOTED:
ANGULAR +/- 1°
.XXXX +/- .010
.XXX +/- .015
.XX +/- .030
.X FOR REF. ONLY
UNLESS OTHERWISE SPECIFIED ALL DIMENSIONS ARE IN INCHES

NOTICE:
Use of this document is subject to a confidentiality and nondisclosure agreement with Great Lakes Case & Cabinet Co., Inc. (GLCC) and may not be reproduced, disclosed or utilized in whole or in part without prior written authorization from GLCC.

PART NUMBER:	1984-VCM10C
QTY PER UNIT:	1
MATERIAL TYPE:	-
MATERIAL GAUGE:	-
FINISH:	-
DRAWN	DATE
jaye	1/7/2005
CHECKED & APP.	DATE
WSS	1-10-05

TITLE	HINGED COVER ASSEMBLY FOR 7H x 6"W CABLE MANAGEMENT	
GREAT LAKES CASE & CABINET CO., INC.		
P.O. BOX 551 EDINBORO, PA 16412		
PHONE (814) 734-7303 FAX (814) 734-3907		
E-MAIL glcc@greatcabinets.com		
DWG NO:	REV	SHEET: 2 OF 2
I002735	0	



6 5 4 3 2 1