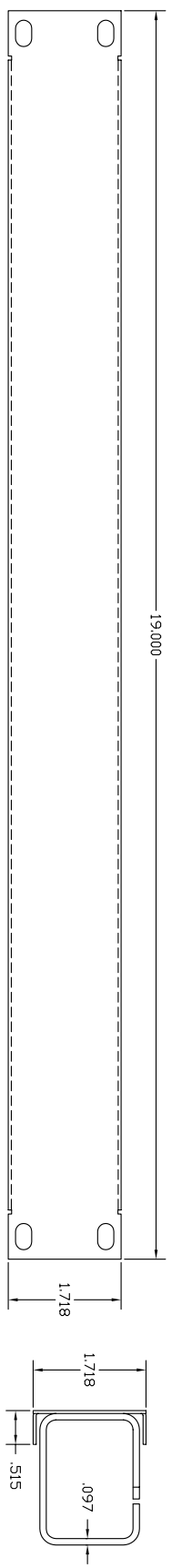
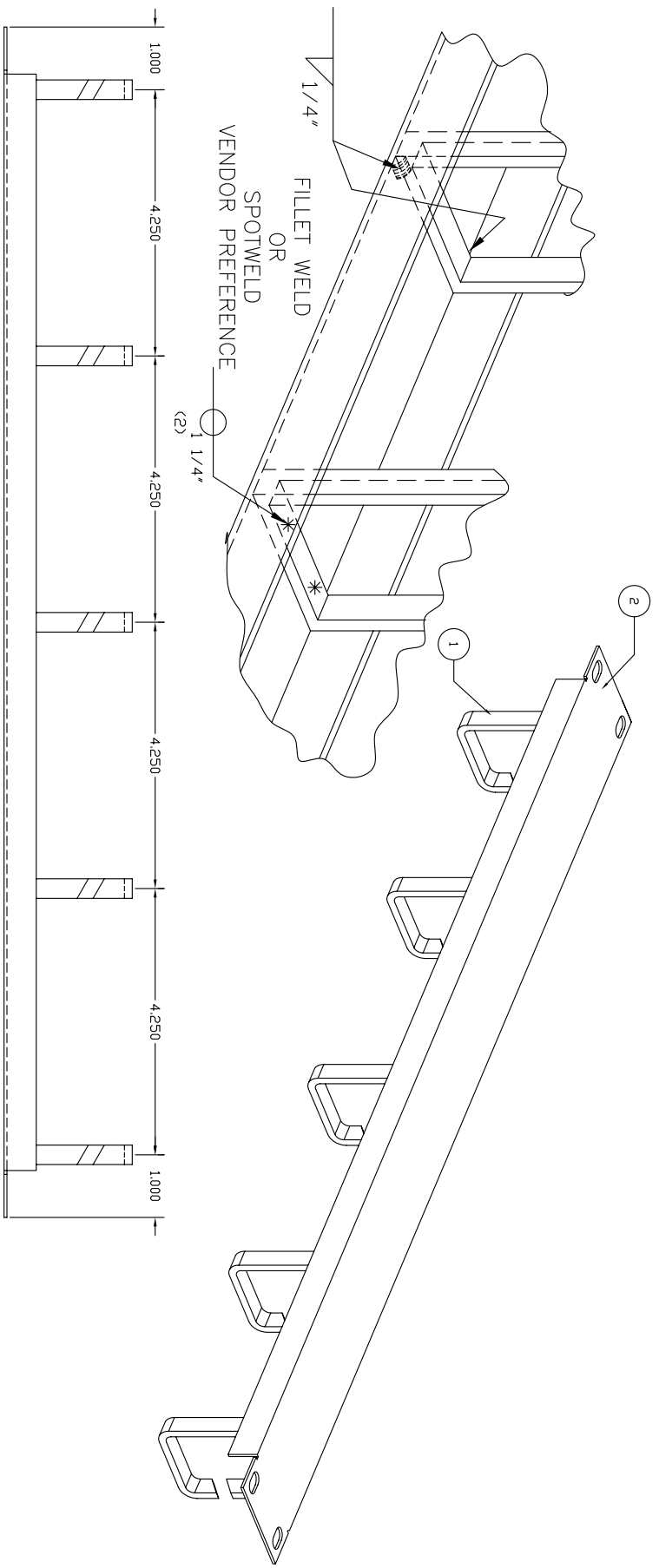


PARTS LIST				
ITEM NO.	PART NO.	DRAWING #	SUPPLIED BY:	DESCRIPTION
1		GL000587	MFR.	CABLE RING FOR CM05
2		GL000586	MFR.	MOUNTING BRACKET FOR CM05

REVISIONS		
REV #	DATE	INITIALS
1	11-17-00	WR
2	03/29/01	JL
2	00730	



**PART NUMBER:** CM05

Use of this document is subject to a confidentiality & nondisclosure agreement w/ Great Lakes Case & Cabinet Co., Inc. (GLCC) & may not be reproduced, disclosed or utilized in whole or in part without prior written authorization from GLCC.

DIMENSIONS IN INCHES		DO NOT SCALE	
TOLERANCES ON DIMENSIONS UNLESS OTHERWISE SPECIFIED	SCALE:	QTY PER UNIT:	NTS
DECIMAL .XXX ± .010 .XX ± .015 .X ± .020 ANGULAR ± 1/2°	MATERIAL:	DRAWN BY:	WR
FINISH: PAINT		DWG DATE:	11-17-00
		SHEET:	1 OF 1

**PART DESCRIPTION:**  
CABLE MANAGEMENT  
CM05 WELDMENT/ASSEMBY  
19" EIA MOUNTING

Great Lakes Case & Cabinet Co.  
P.O. Box 551 / Edinboro, PA 16412  
PHONE: (814) 241-3333 FAX: (814) 241-3334  
REV: 2 DRAWING NO. GL000585