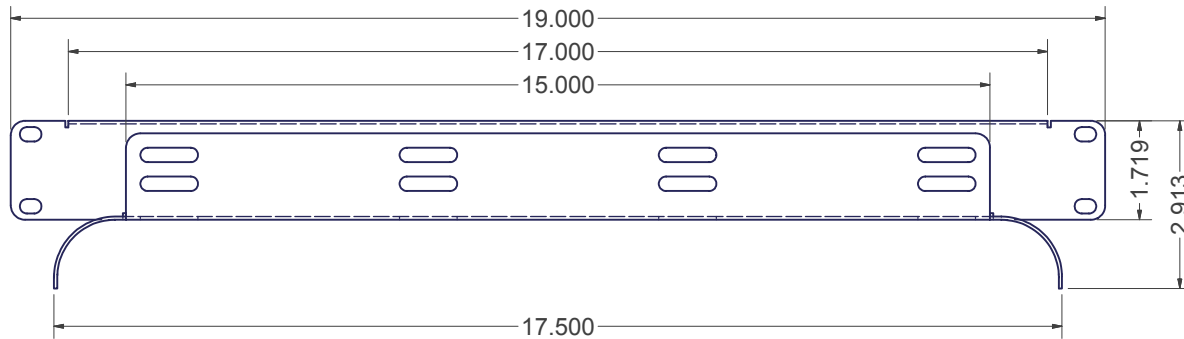
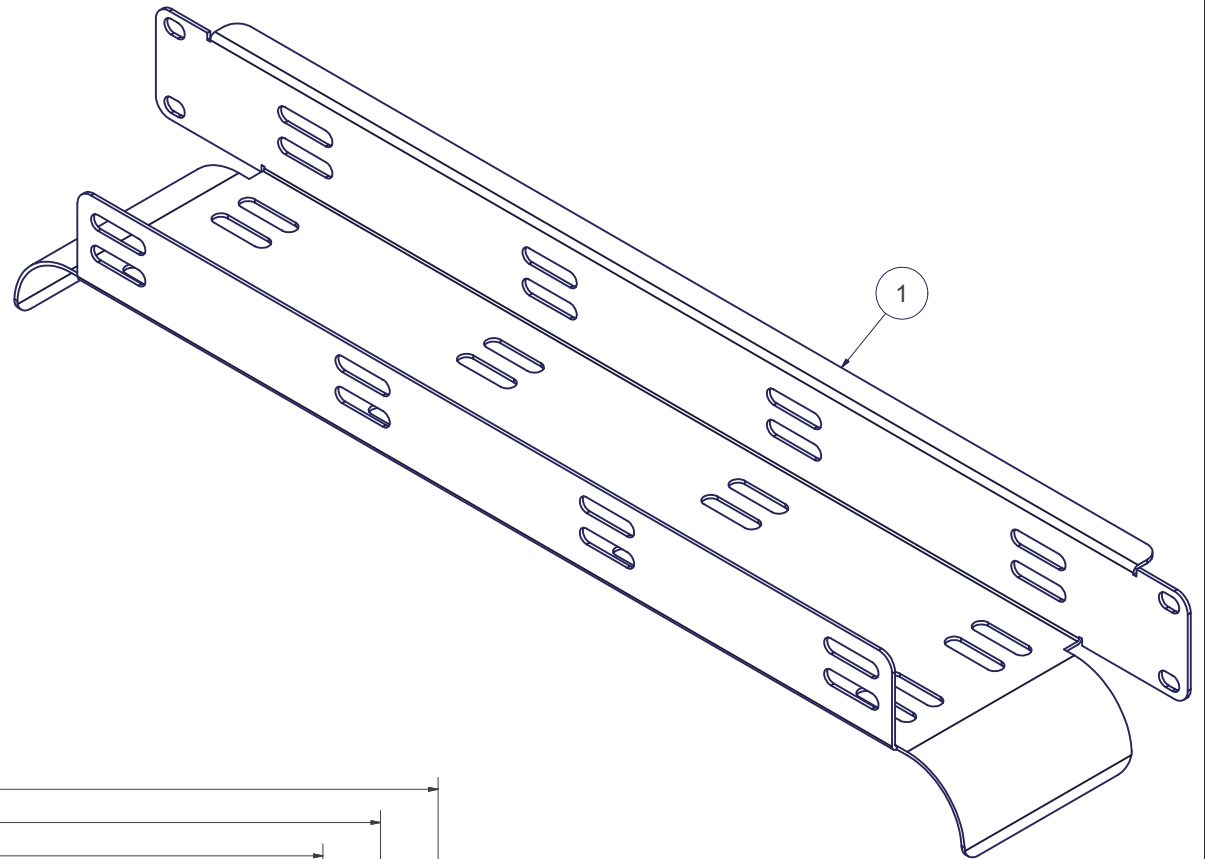


REVISION HISTORY			
REV	DESCRIPTION	DATE	APPROVED
0	ECO-01777	8/1/2006	JL
1	ECO-02031	9/14/2007	WSS

Bill of Material					
ITEM	PART NUMBER	QTY	DESCRIPTION	FILE NAME	REV
1	CM073100	1	CABLE MANAGEMENT TROUGH w/ WATERFALL EDGES, 19" EIA, 1 RMU,	I004162.ipt	0

1 DELETED #10-32 & #12-24 HARDWARE



INTERPRET DRAWING PER ASME Y14.5M-1994
DIMENSIONAL LIMITS APPLY AFTER APPLICATION OF FINISH
DRAWING NOT TO SCALE
TOLERANCE UNLESS OTHERWISE NOTED:
ANGULAR +/- 1-
.XXXX +/- .010
.XXX +/- .015
.XX +/- .030
.X FOR REF. ONLY
UNLESS OTHERWISE SPECIFIED ALL DIMENSIONS ARE IN INCHES

**NOTICE:**  
Use of this document is subject to a confidentiality and nondisclosure agreement with Great Lakes Case & Cabinet Co., Inc. (GLCC) and may not be reproduced, disclosed or utilized in whole or in part without prior written authorization from GLCC.

PART NUMBER:	CM07
QTY PER UNIT:	1
MATERIAL TYPE:	-
MATERIAL GAUGE:	#16 GA
FINISH:	-
DRAWN	DATE
JL	8/1/2006
CHECKED & APP.	DATE
WSS	8-1-06

TITLE		CABLE MANAGEMENT TROUGH w/WATERFALL EDGES, 19" EIA, 1 RMU	
GREAT LAKES CASE & CABINET CO., INC.			
P.O. BOX 551 EDINBORO, PA 16412			
PHONE (814) 734-7303 FAX (814) 734-3907			
E-MAIL glcc@greatcabinets.com			
DWG NO:	REV	SHEET: 1 OF 1	
I004161	1		



THIRD ANGLE  
PROJECTION