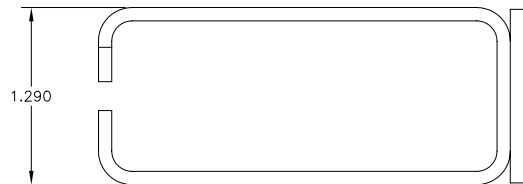
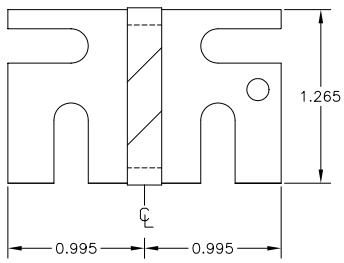
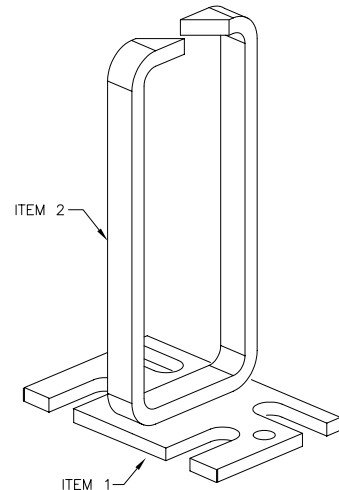
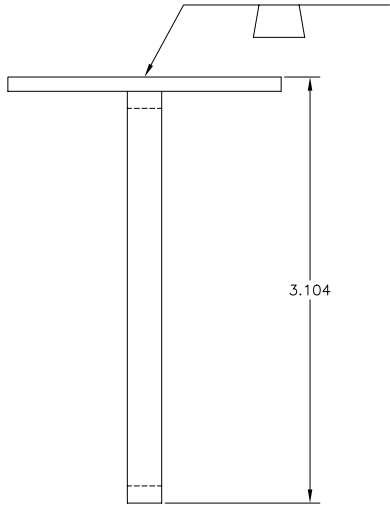


PARTS LIST						
ITEM NO.	PART NO.	DRAWING #	SUPPLIED BY:	REV	REQ'D	DESCRIPTION
1		GL000557	MFGR.	2	1	BAS PLATE FOR CABLE MANAGEMENT RING
2		GL000558	MFGR.	2	1	CABLE MANAGEMENT RING

REVISIONS		
REV #	DATE	INITIALS
1	7/14/99	MM
ECO # 00085		
2	10/25/00	JFW
ECO # 00496		



SPECIAL NOTES:
1.

PART NUMBER: CM13

Use of this document is subject to a confidentiality & nondisclosure agreement w/ Great Lakes Case & Cabinet Co., Inc. (GLCC) & may not be reproduced, disclosed or utilized in whole or in part without prior written authorization from GLCC.

DIMENSIONS IN INCHES DO NOT SCALE
TOLERANCES ON DIMENSIONS UNLESS OTHERWISE SPECIFIED
DECIMAL .xxx ± .010 .xx ± .015 .x ± .020 ANGULAR ± 1/2°
FINISH: PAINT

QTY PER UNIT: 1 DRAWN BY: S.B.
SCALE: NTS DWG DATE: 10-25-00
MATERIAL: N/A SHEET: 1 OF 1

PART DESCRIPTION:
CABLE MANAGEMENT RING



Great Lakes Case & Cabinet Co.
P.O. Box 551 / Edinboro, PA 16412
PHONE:(814)734-7303 FAX:(814)734-3907 EMAIL:glcc@greatcabinets.com
REV. 2 DRAWING NO. GL000556