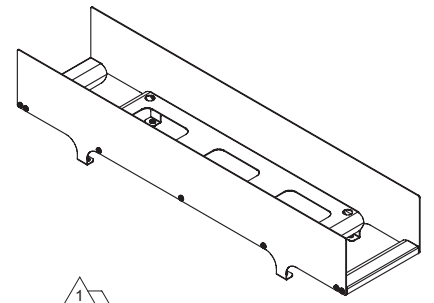
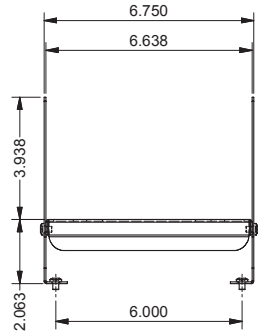
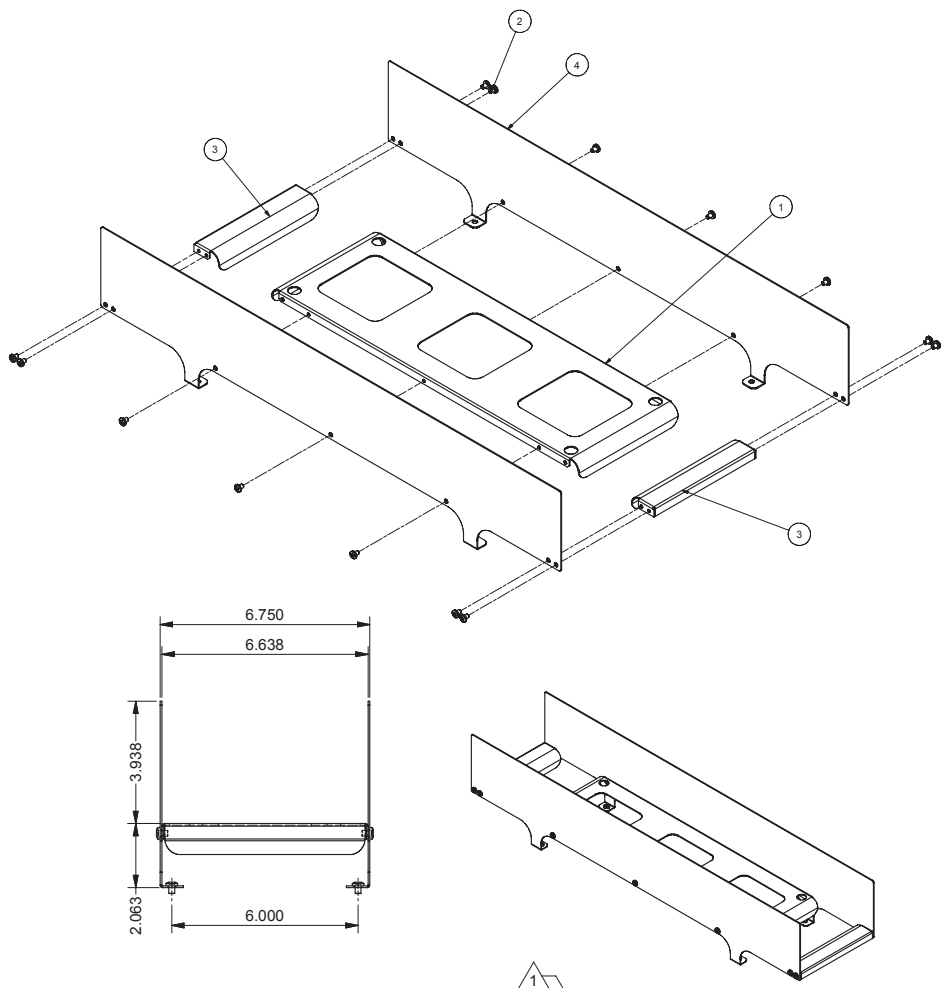
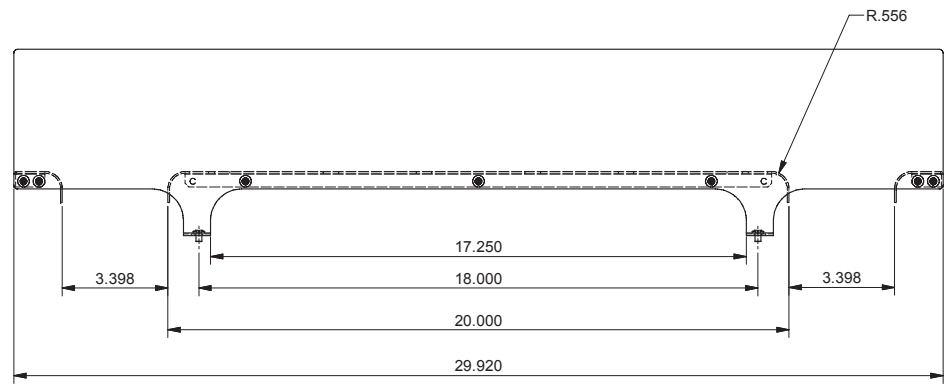
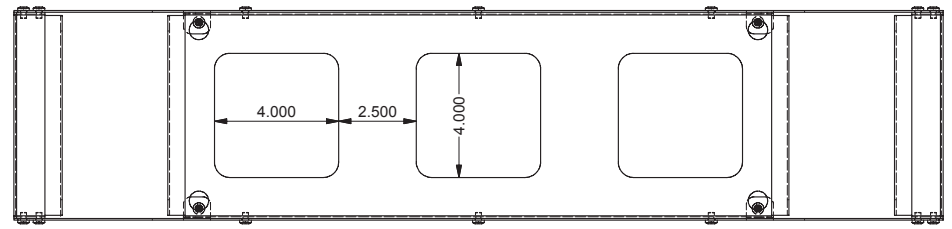


REVISION HISTORY			
REV	DESCRIPTION	DATE	APPROVED
0	ECO-02086	11/14/2007	WSS
1	ECO-02213	3/13/08	WSS
2	ECO-02350	8/21/08	WSS

**NOTES:**

- 1) DO NOT ASSEMBLE, PLACE ALL SHEETMETAL COMPONENTS IN CLEAR PLASTIC BAGS.
- 2) CREATE HARDWARE PACK FOR SCREWS LISTED IN BOM.
- 3) TAPE ALL COMPONENTS & HARDWARE PACK TOGETHER AS A SINGLE KIT.

Bill of Material					
ITEM	PART NUMBER	QTY	DESCRIPTION	FILE NAME	REVISION
1		1	OVERHEAD CABLE TROUGH, BASE	I005162.ipt	1
2	H01-073	18	SCREW, 10-32x1/4 PH PAN TYPE 23 BLACK OXIDE/WAX RoHS (SCR1032X250BLK)	H01-073.ipt	-
3		2	TOP CABLE TROUGH, END DIVIDERS	I006203.ipt	0
4		2	OVERHAED CABLE TROUGH, 30" WIDE SIDE PANEL DETAIL	I006202.ipt	1



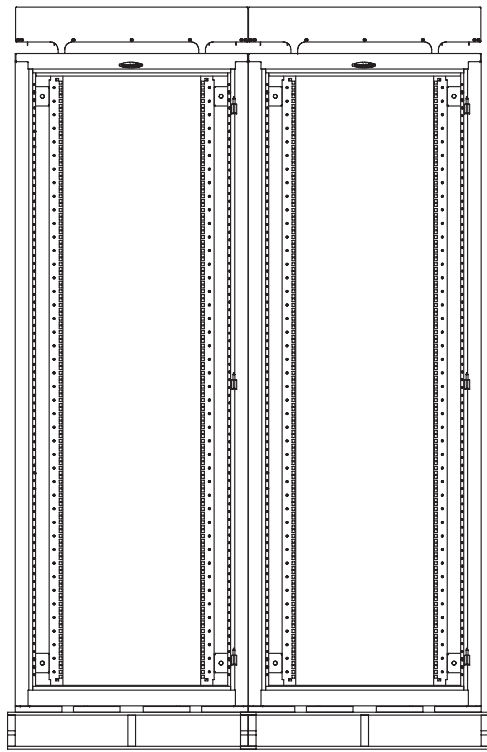
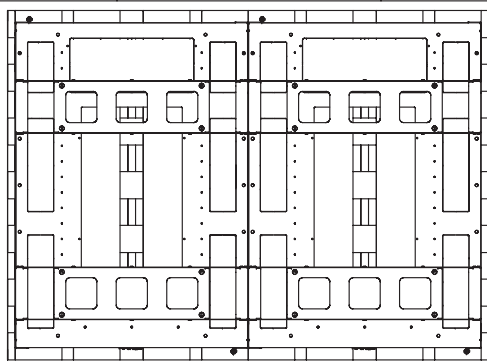
INTERPRET DRAWING PER ASME Y14.5M-1994  
 DIMENSIONAL LIMITS APPLY  
 AFTER APPLICATION OF FINISH  
 DRAWING NOT TO SCALE  
 TOLERANCE UNLESS OTHERWISE NOTED:  
 ANGULAR +/- 1°  
 XXXX +/- .010  
 XXX +/- .015  
 XX +/- .030  
 X FOR REF. ONLY  
 UNLESS OTHERWISE SPECIFIED  
 ALL DIMENSIONS ARE IN INCHES

**NOTICE:**  
 Use of this document is subject to a confidentiality and nondisclosure agreement with Great Lakes Case & Cabinet Co., Inc. (GLCC) and may not be reproduced, disclosed or utilized in whole or in part without prior written authorization from GLCC.

PART NUMBER: TCT30	TITLE TOP MOUNTED CABLE TROUGH KIT, FOR 30" WIDE "ES" & "LE" FRAMES.
QTY PER UNIT: 1	
MATERIAL TYPE: C.P.S.	
MATERIAL GAUGE: #18 GA.	
FINISH: POWDER COAT, BLK. TXT	
DATE: 11/14/07	
DWG NO: I006201	
CHECKED: JAL	
DATE: 11/14/07	
REV 2	SHEET 1 OF 2

THIRD ANGLE PROJECTION

**Great Lakes Case & Cabinet Co., Inc.**  
 P.O. BOX 551 EDINBORO, PA 16412  
 PHONE (814) 734-7303 FAX (814) 734-3607 E-MAIL glcc@greatlakes.com

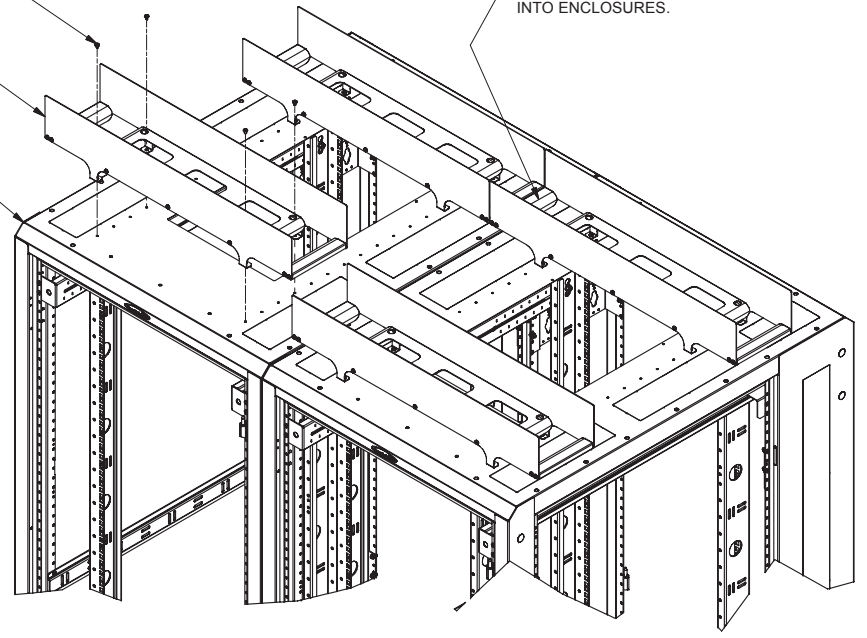
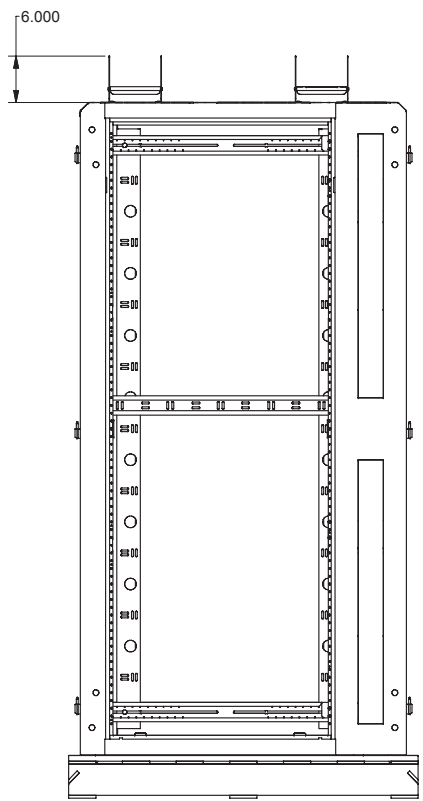


INSTALL WHERE DESIRED  
WITH (4) #10-32 x 1/4" LG. SCREWS  
INTO THRU HOLE IN TOP PANEL

PRE-ASSEMBLE EACH TROUGH  
SHOWN ON SHEET 1.

"ES" SERIES ENCLOSURES  
30" WIDE VERSION ONLY

WATERFALL EDGES FOR CABLE  
ENTRANCES & EXISTS OF TROUGH  
INTO ENCLOSURES.



DETAIL A

FOR REFERENCE ONLY

INTERPRET DRAWING PER ASME Y14.5M-1994  
DIMENSIONAL LIMITS APPLY  
AFTER APPLICATION OF FINISH  
DRAWING NOT TO SCALE  
TOLERANCE UNLESS OTHERWISE NOTED:  
ANGULAR +/- 1°  
3XXX +/- .010  
XXX +/- .015  
XX +/- .030  
X FOR REF. ONLY  
UNLESS OTHERWISE SPECIFIED  
ALL DIMENSIONS ARE IN INCHES

**NOTICE:**  
Use of this document is subject to a confidentiality and nondisclosure agreement with Great Lakes Case & Cabinet Co., Inc. (GLCC) and may not be reproduced, disclosed or utilized in whole or in part without prior written authorization from GLCC.

PART NUMBER:  
TCT30  
QTY PER UNIT: 1  
MATERIAL TYPE: C.S.S.  
MATERIAL GAUGE: #16 GA.  
FINISH: POWDER COAT. BLK. TXT.  
DATE: 11/14/07  
DRAWN BY: JAL  
CHECKED BY: JAL  
DATE: 11/14/07

TITLE: TOP MOUNTED CABLE TROUGH KIT, FOR 30" WIDE "ES" FRAMES.  
  
P.O. BOX 551 EDINBORO, PA 16412  
PHONE (814) 734-7303 FAX (814) 734-3607 E-MAIL: glcc@greatlakes.com  
REV: 2  
DWG NO: I006201  
SHEET 2 OF 2

THIRD ANGLE PROJECTION