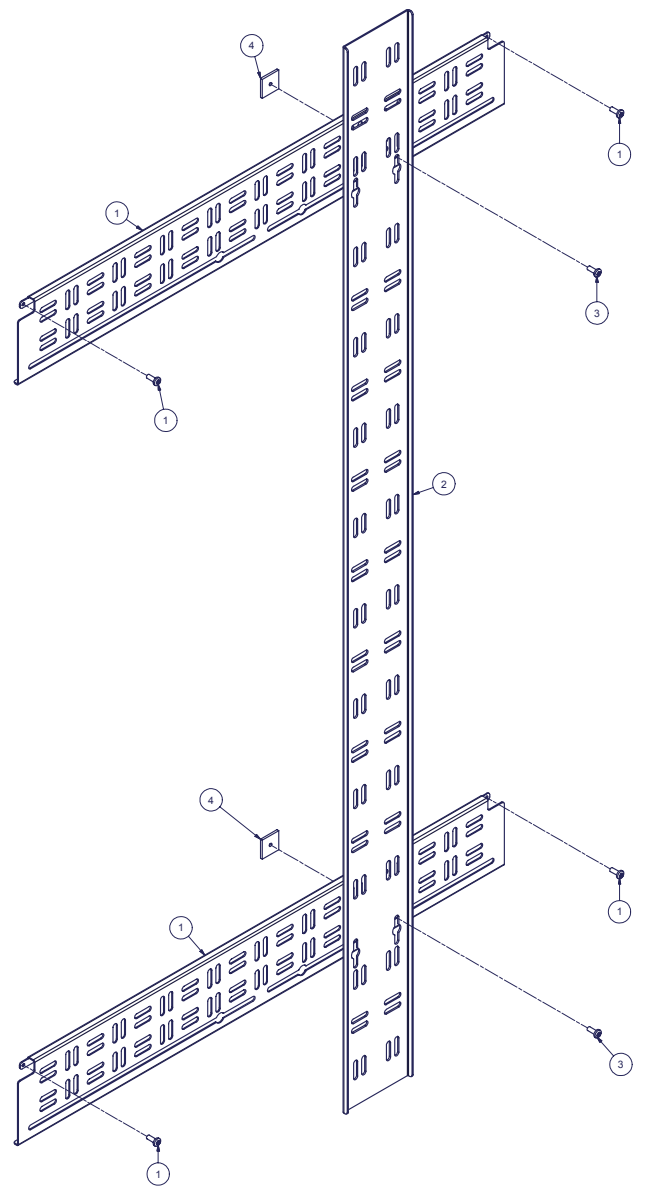


REVISION HISTORY			
REV	DESCRIPTION	DATE	APPROVED
0	ECO-011131	8/22/2002	WSS
1	ECO-02701	10/28/2008	FED

Bill of Material						
ITEM	PART NUMBER	STOCK NUMBER	QTY	DESCRIPTION	FILE NAME	REVISION
1	HLB36X100		2	HORIZONTAL LACING BAR FOR 36"D E CABINETS	I000336.iam	3
2	VLB72X100		1	VERTICAL LACING BAR FOR 72"H E CABINETS	I000688.ipt	1
3	SCR1032X1/2BLK	H01-078	2	#10-32 x 1/2" L PAN HEAD PHIL TYPE Z3, BLACK	SCR1032X500BLK.ipt	-
4	LBSNX100		2	SLIDING NUT FOR LACING BARS	I000631.ipt	2



INTERPRET DRAWING PER ASME Y14.5M-1994

DIMENSIONAL LIMITS APPLY AFTER APPLICATION OF FINISH

DRAWING NOT TO SCALE

TOLERANCE UNLESS OTHERWISE NOTED:
 ANGULAR +/- 1°
 XXXX +/- .010
 XXX +/- .015
 XX +/- .030
 X FOR REF. ONLY

UNLESS OTHERWISE SPECIFIED ALL DIMENSIONS ARE IN INCHES

NOTICE:

Use of this document is subject to a confidentiality and nondisclosure agreement with Great Lakes Case & Cabinet Co., Inc. (GLCC) and may not be reproduced, disclosed or utilized in whole or in part without prior written authorization from GLCC.

PART NUMBER: **VLB7236**

QTY PER UNIT: 1

MATERIAL TYPE: CRS

MATERIAL GAUGE: #16 GA

FINISH: -

DRAWN: JAL DATE: 3/8/2003

CHECKED & APP: CA DATE: 3-7-03

TITLE: **VERTICAL LACING BAR ASSEMBLY FOR 72H x 36D E CABINETS**

GREAT LAKES CASE & CABINET CO., INC.

P.O. BOX 551 EDINBORO, PA 16412

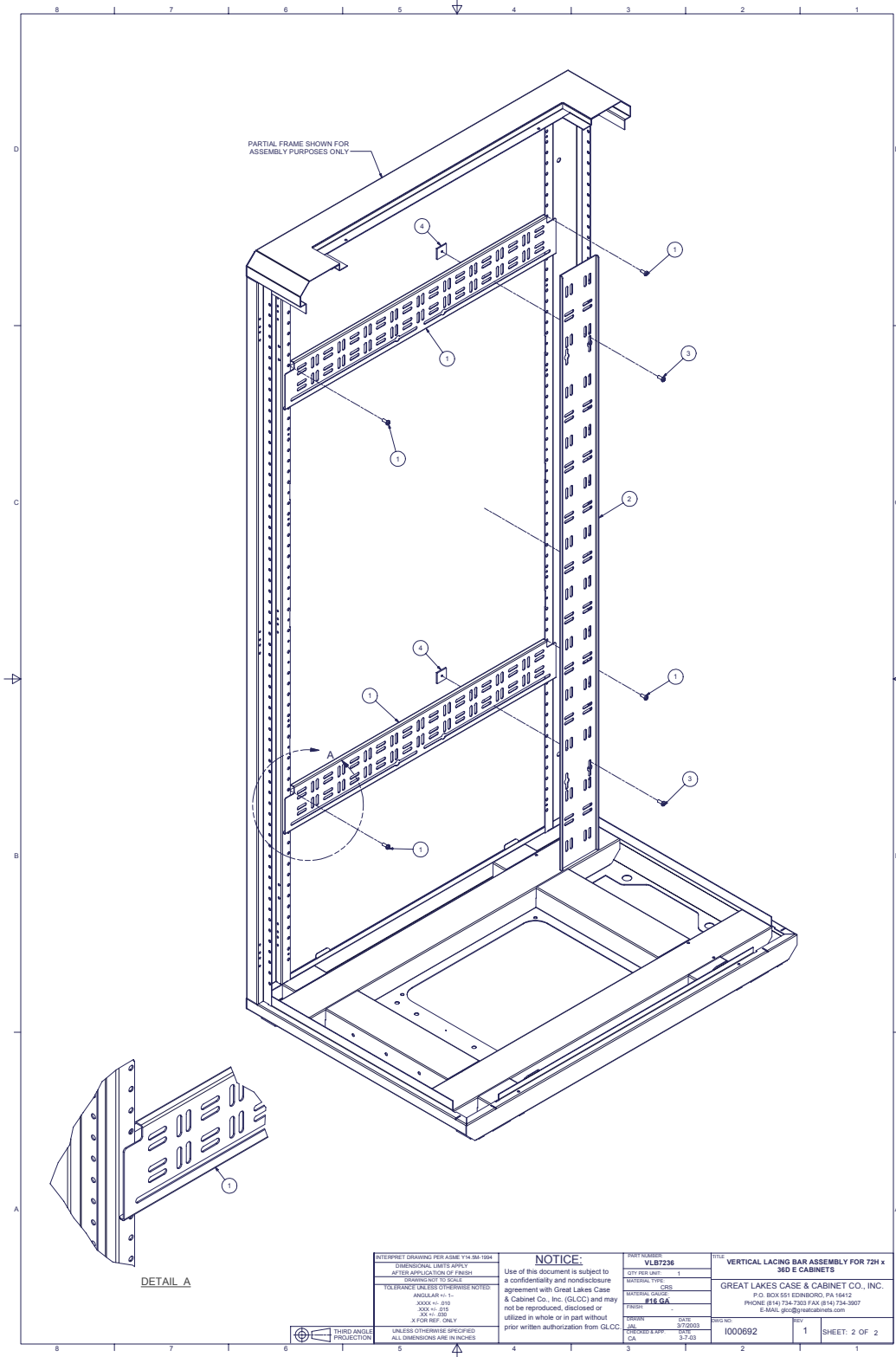
PHONE: (814) 734-7323 FAX: (814) 734-3907

E-MAIL: glcc@greatscabinets.com

DWG NO: **I000692**

REV: **1**

SHEET: 1 OF 2



PARTIAL FRAME SHOWN FOR ASSEMBLY PURPOSES ONLY

DETAIL A

INTERPRET DRAWING PER ASME Y14.5M-1994 DIMENSIONAL LIMITS APPLY AFTER APPLICATION OF FINISH DIMENSIONS NOT TO SCALE TOLERANCE UNLESS OTHERWISE NOTED: ANGULAR ± .1° XXX ± .010 XX ± .015 X FOR REF. ONLY	NOTICE: Use of this document is subject to a confidentiality and nondisclosure agreement with Great Lakes Case & Cabinet Co., Inc. (GLCC) and may not be reproduced, disclosed or utilized in whole or in part without prior written authorization from GLCC.	PART NUMBER: VL87236 QTY PER CAB: 1 MATERIAL: Q355 MATERIAL SOURCE: PLDGA FINISH:	TITLE: VERTICAL LACING BAR ASSEMBLY FOR 72H x 36D E CABINETS GREAT LAKES CASE & CABINET CO., INC. P.O. BOX 551 EDINBORO, PA 16412 PHONE: (814) 734-7200 FAX: (814) 734-3907 E-MAIL: glcc@greatlakes.com
THIRD ANGLE PROJECTION	UNLESS OTHERWISE SPECIFIED ALL DIMENSIONS ARE IN INCHES	DRAWN: 3/2/2023 CHECKED: 3/7/23 DATE:	DWG NO: 1000692 REV: 1 SHEET: 2 OF 2