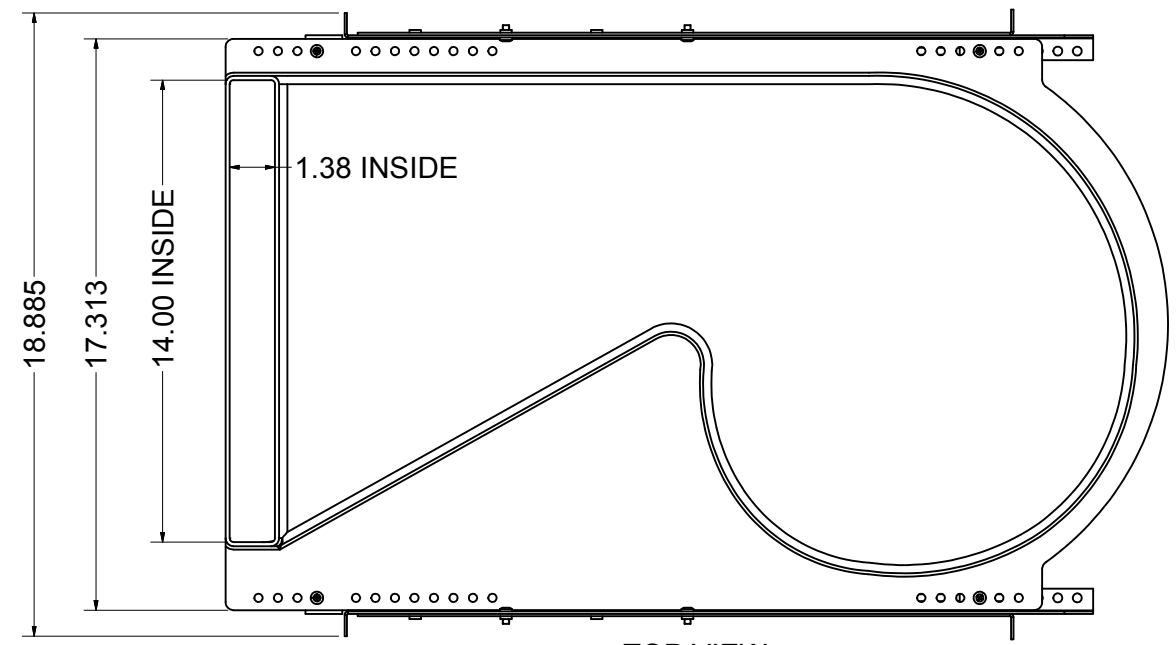
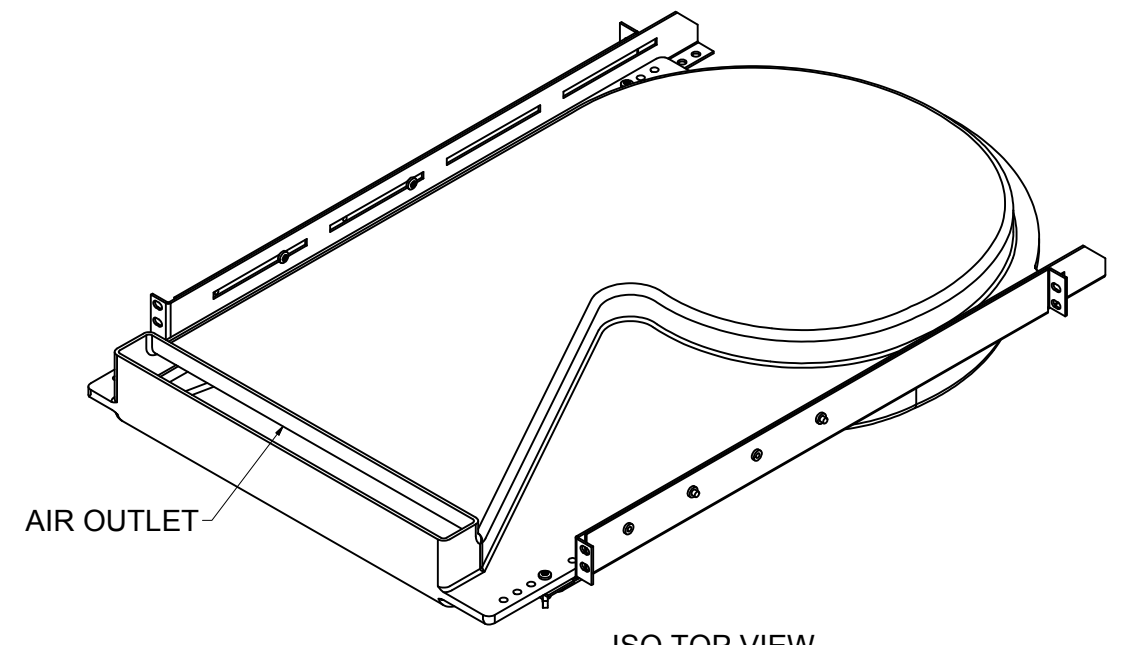


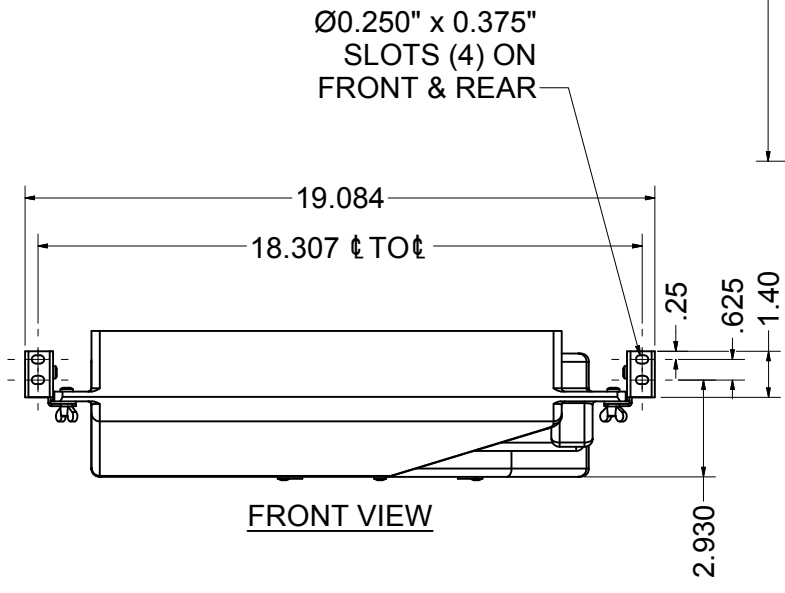
REVISION HISTORY			
REV	DESCRIPTION	DATE	APPROVED
0	ECO-03325	8/19/2011	FED



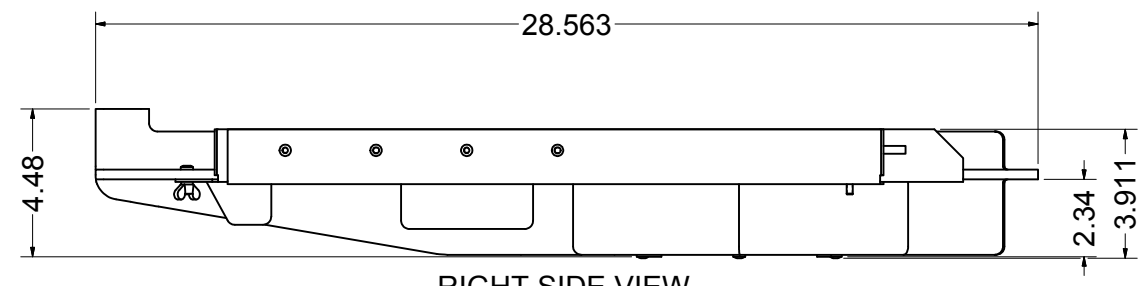
TOP VIEW



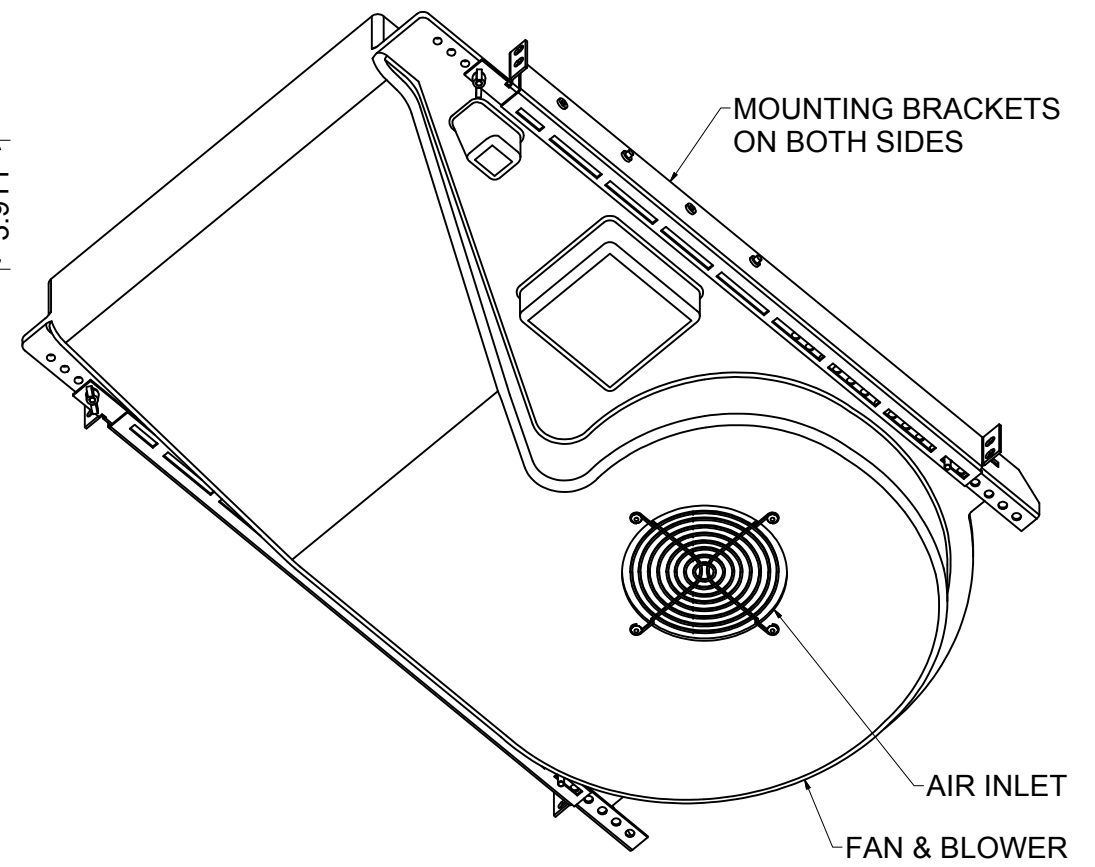
ISO TOP VIEW



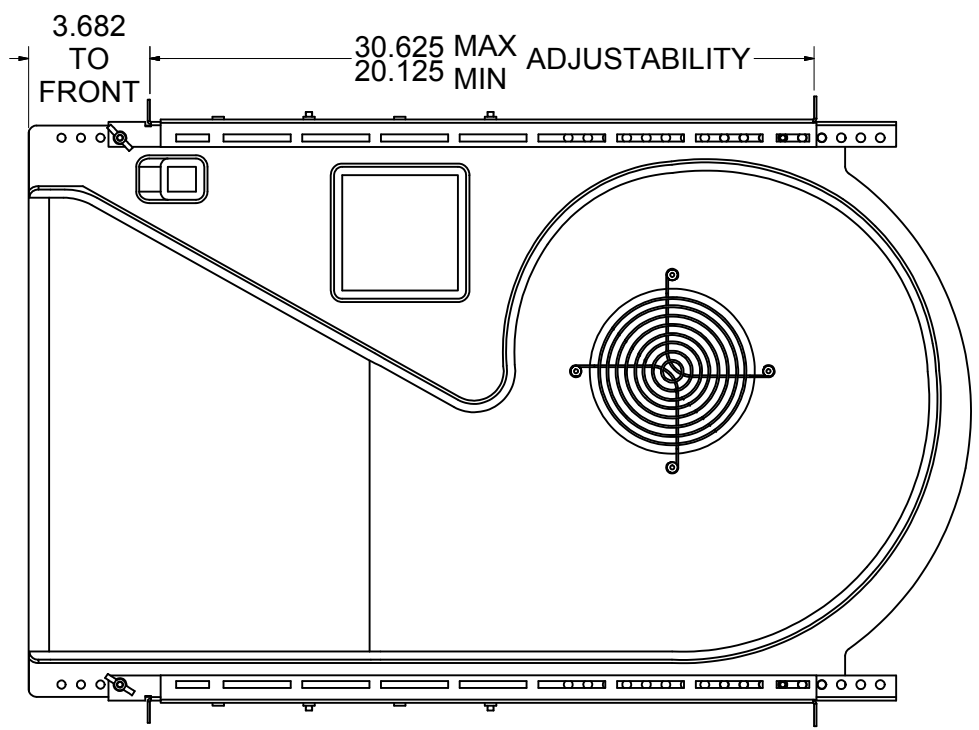
FRONT VIEW



RIGHT SIDE VIEW



ISO BOTTOM VIEW



BOTTOM VIEW

SPECIFICATIONS:

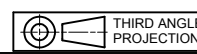
- * AIR FLOW 250 CFM
- * VOLTAGE 115 VAC 60 Hz or 230 VAC 60 Hz
- * NEMA 5-15P PLUG, 6 FT. POWER CORD
- * OPTIONAL INLET FILTERING AVAILABLE
- * CONSTRUCTION ... FAN HOUSING IS BLACK PLASTIC W/ COLD ROLLED STEEL MOUNTING BRACKETS ON BOTH SIDES

INTERPRET DRAWING PER ASME Y14.5M-1994
DIMENSIONAL LIMITS APPLY AFTER APPLICATION OF FINISH
DRAWING NOT TO SCALE
TOLERANCE UNLESS OTHERWISE NOTED:
ANGULAR +/- .1°
.XXXX +/- .010
.XXX +/- .015
.XX +/- .030
.X FOR REF. ONLY
UNLESS OTHERWISE SPECIFIED ALL DIMENSIONS ARE IN INCHES

NOTICE:
Use of this document is subject to a confidentiality and nondisclosure agreement with Great Lakes Case & Cabinet Co., Inc. (GLCC) and may not be reproduced, disclosed or utilized in whole or in part without prior written authorization from GLCC.

PART NUMBER:	7217ECS
QTY PER UNIT:	1
MATERIAL TYPE:	-
MATERIAL GAUGE:	-
FINISH:	-
DRAWN:	FED
CHECKED & APP.:	WSS
DATE:	8/18/2011

TITLE:	RACK MOUNT (2 RMU) BLOWER	
GREAT LAKES CASE & CABINET CO., INC. P.O. BOX 551 EDINBORO, PA 16412 PHONE (814) 734-7303 FAX (814) 734-3907 E-MAIL glcc@greatcabinets.com		
DWG NO.:	1014543	REV: -
SHEET: 1 OF 1		



THIRD ANGLE PROJECTION