

BRUSH STRIPS.
FLEXIBLE PVC, 1" LONG TRIM
SLIDES ONTO OUTSIDE EDGE
OF MOUNTING PLATES THAT
ARE INSTALLED ONTO FRONT FACE
OF THE EQUIPMENT RAILS.

19" EIA EQUIPMENT MTG. RAILS.
SHOWN FOR REFERENCE
INCLUDED WITH ENCLOSURE.

#10-32 WING NUTS.
PROVIDED.

TOP CROSS PLATE

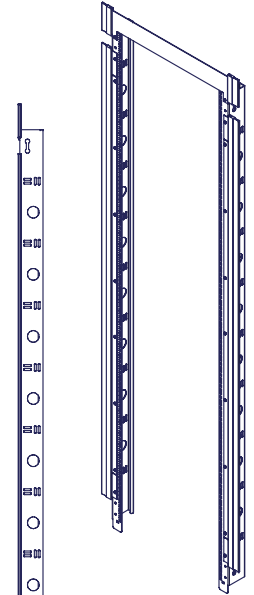
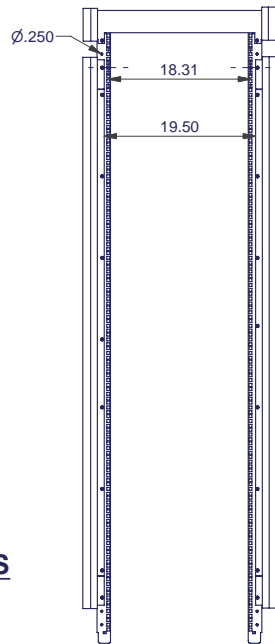
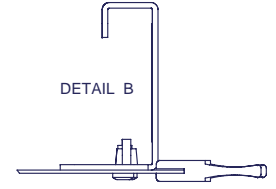
19" EIA EQUIPMENT MTG. RAILS.
SHOWN FOR REFERENCE
INCLUDED WITH ENCLOSURE.

MOUNT 1/4" THRU HOLES
ON FRONT FACE OF RAILS.

VERTICAL BRUSH STRIP
MTG. PLATES.

#10-32 x 1/2" LG
PHILLIPS HEAD SCREWS
PROVIDED.

BRUSH STRIPS.
FLEXIBLE PVC, 1" LONG TRIM
SLIDES ONTO OUTSIDE EDGE
OF MOUNTING PLATES THAT
ARE INSTALLED ONTO FRONT FACE
OF THE EQUIPMENT RAILS.



INSTALLATION INSTRUCTIONS

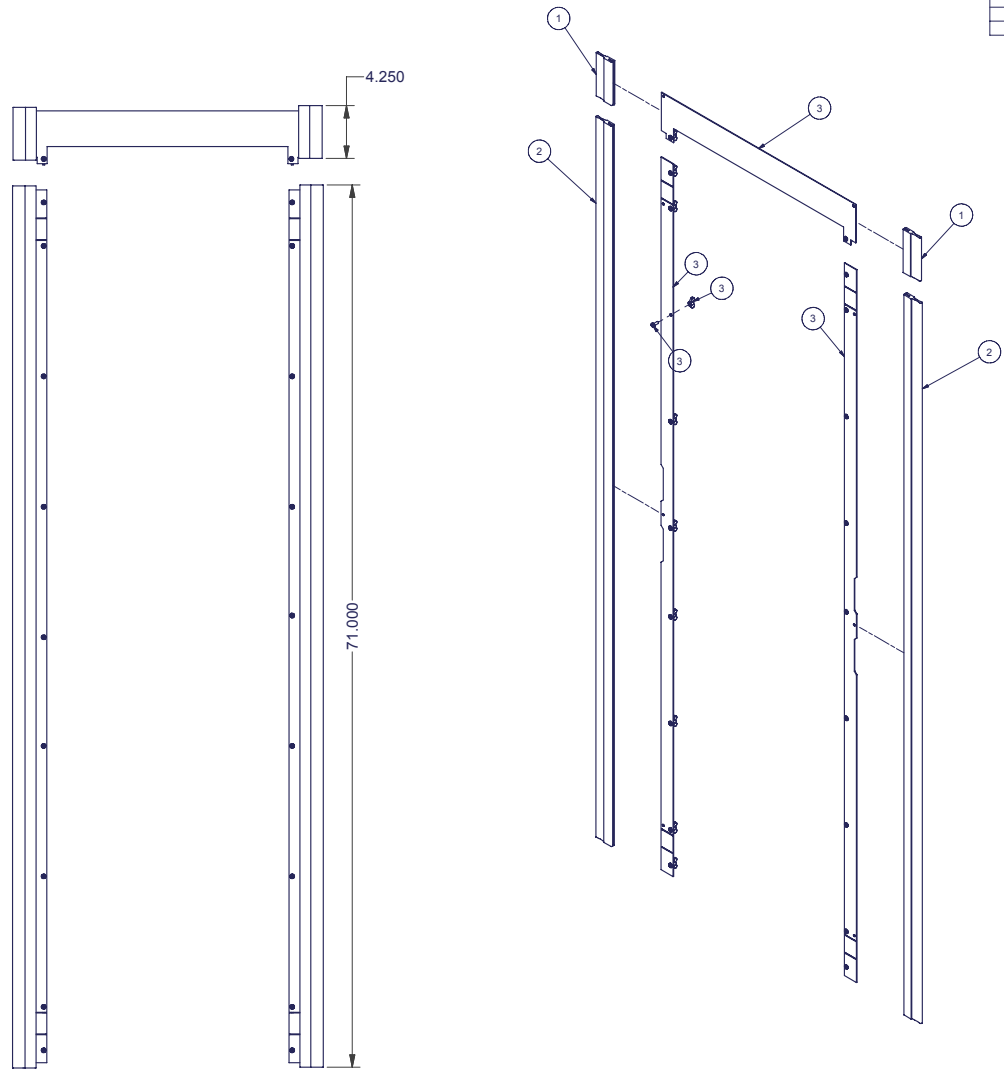
FRONT VIEW

RIGHT SIDE VIEW

CUSTOMER APPROVAL *	DATE	INTERPRET DRAWING PER ASME Y14.5M-1994	NOTICE: Use of this document is subject to a confidentiality and nondisclosure agreement with Great Lakes Case & Cabinet Co., Inc. (GLCC) and may not be reproduced, disclosed or utilized in whole or in part without prior written authorization from GLCC.	PART NUMBER: BGRK24	TITLE: PLENUM KIT FOR 84"H x 24"W - "E" SERIES FRAMES.
		DIMENSIONAL LIMITS APPLY AFTER APPLICATION OF FINISH DRAWING NOT TO SCALE TOLERANCE UNLESS OTHERWISE NOTED: ANGULAR +/- .1° .XXX +/- .010 .XXX +/- .015 .XX +/- .030 X FOR REF. ONLY		QTY PER UNIT: 1 MATERIAL TYPE: C.E.S. MATERIAL GAUGE: .075 GA. FINISH: POWDER COAT, BLK. TXT. DRAWN: JAL CHECKED: JAL	GREAT LAKES CASE & CABINET CO., INC. P.O. BOX 551 EDINBORO, PA 16412 PHONE (814) 734-7303 FAX (814) 734-3907 E-MAIL glcc@greatlakescabinets.com
* CUSTOMER SIGN-OFF IS REQUIRED PRIOR TO MANUFACTURING. * BY SIGNING THIS APPROVAL, THE CUSTOMER AGREES THAT THIS ORDER CAN NOT BE CANCELED AND NO CUSTOM PRODUCTS CAN BE RETURNED.		UNLESS OTHERWISE SPECIFIED ALL DIMENSIONS ARE IN INCHES		DWG NO: 10-1-07 REV: 0 SHEET 1 OF 1	

REVISION HISTORY			
REV	DESCRIPTION	DATE	APPROVED
0	ECO-02045	10/1/2007	WSS

Bill of Material					
ITEM	PART NUMBER	QTY	DESCRIPTION	FILE NAME	REVISION
1	FPVC121072 (4.25)	2	BRUSH STRIP, FLEXIBLE PVC, 1" TRIM, CUT 4.25"LG. (TANIS INC.)	FPVC121072 - 425long.lpt	-
2	FPVC121072 (71)	2	BRUSH STRIP, FLEXIBLE PVC, 1" TRIM, CUT 71" LG. (TANIS INC.)	FPVC121072 - 71long.lpt	-
3	BGRK24X100	1	BRUSH GROMMET RAIL KIT, FOR 78" & 84" HIGH X 24" WIDE "ES" SERVER, VENDOR LEVEL	I005988	0
4	BGRK	1	BRUSH GROMMET INSTALLATION INSTRUCTION SHEET.	I-1211	0



NOTES:

1.) ALL COMPONENTS, EXCEPT INSTRUCTION SHEET, TO BE RECEIVED AS SINGLE KIT. PLACE # BGRK24X100, WITH HARDWARE, IN CORRUGATED PACKING. PLACE A PRINTED SHEET OF THE # BGRK INSTRUCTIONS INSIDE CORRUGATED.

<small>INTERPRET DRAWING PER ASME Y14.5M-1994</small> DIMENSIONAL LIMITS APPLY AFTER APPLICATION OF FINISH <small>DRAWING NOT TO SCALE</small> TOLERANCE UNLESS OTHERWISE NOTED: ANGULAR ± .1° .3000 ± .010 .XXX ± .015 .XX ± .030 X FOR REF. ONLY	NOTICE: Use of this document is subject to a confidentiality and nondisclosure agreement with Great Lakes Case & Cabinet Co., Inc. (GLCC) and may not be reproduced, disclosed or utilized in whole or in part without prior written authorization from GLCC.	PART NUMBER: BGRK24X200	TITLE: BRUSH GROMMET RAIL KIT, FOR 78" & 84" HIGH X 24" WIDE "ES" SERVER FRAMES, TOP LEVEL
		QTY PER UNIT: 1	
		MATERIAL TYPE: PVC	
		MATERIAL GAUGE: .075 GA.	
		FINISH: POWDR COAT, BLK, TXT	
		DATE: 10-1-07	
		CHECKED: JAL	DWG NO: I005988
			REV: 0
			SHEET 1 OF 1

