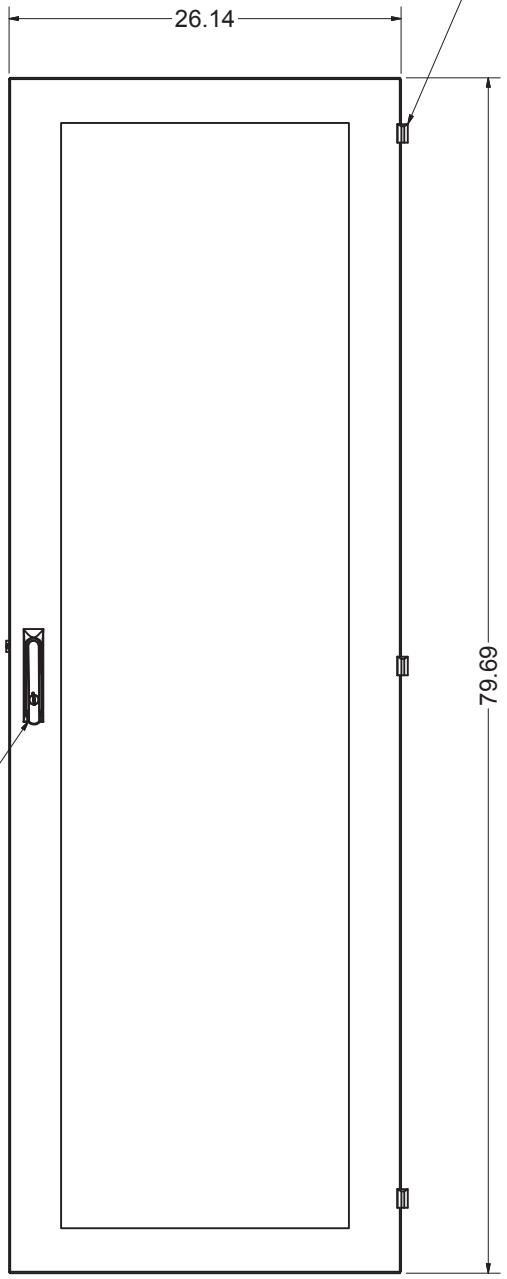


REVISION HISTORY			
REV	DESCRIPTION	DATE	APPROVED
5	ECO-01129	8/6/2003	JAL
6	ECO-01954	5/24/2007	WSS
7	ECO-02866	5/14/2010	FED

Bill of Material					FILE NAME	REVISION
ITEM	PART NUMBER	STOCK NUMBER	QTY	DESCRIPTION		
1	8402E29X100		1	PLEXIGLAS ENHANCED DOOR, 84"H x 29"W 'E' - ASSEMBLY	I000162.iam	8
2	MESH840E29X100		1	MESH PANEL - 74.500"H x 20.000"W	I000685.ipt	4
3	MESHWSHR		20	MESH PANEL WASHER 70 DUROMETER NEOPRENE	MESHWSHR.ipt	5
4	H02-006	H02-006	16	#10-32 ACORN NUT NYLON BLACK	0501032LCNBLK.ipt	

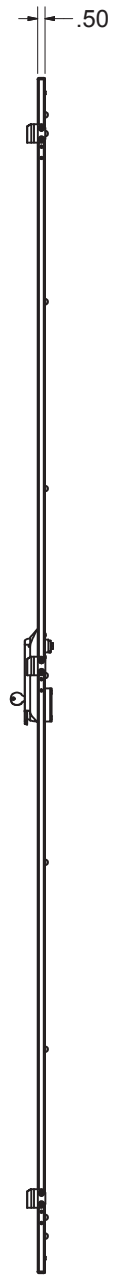


TOP VIEW



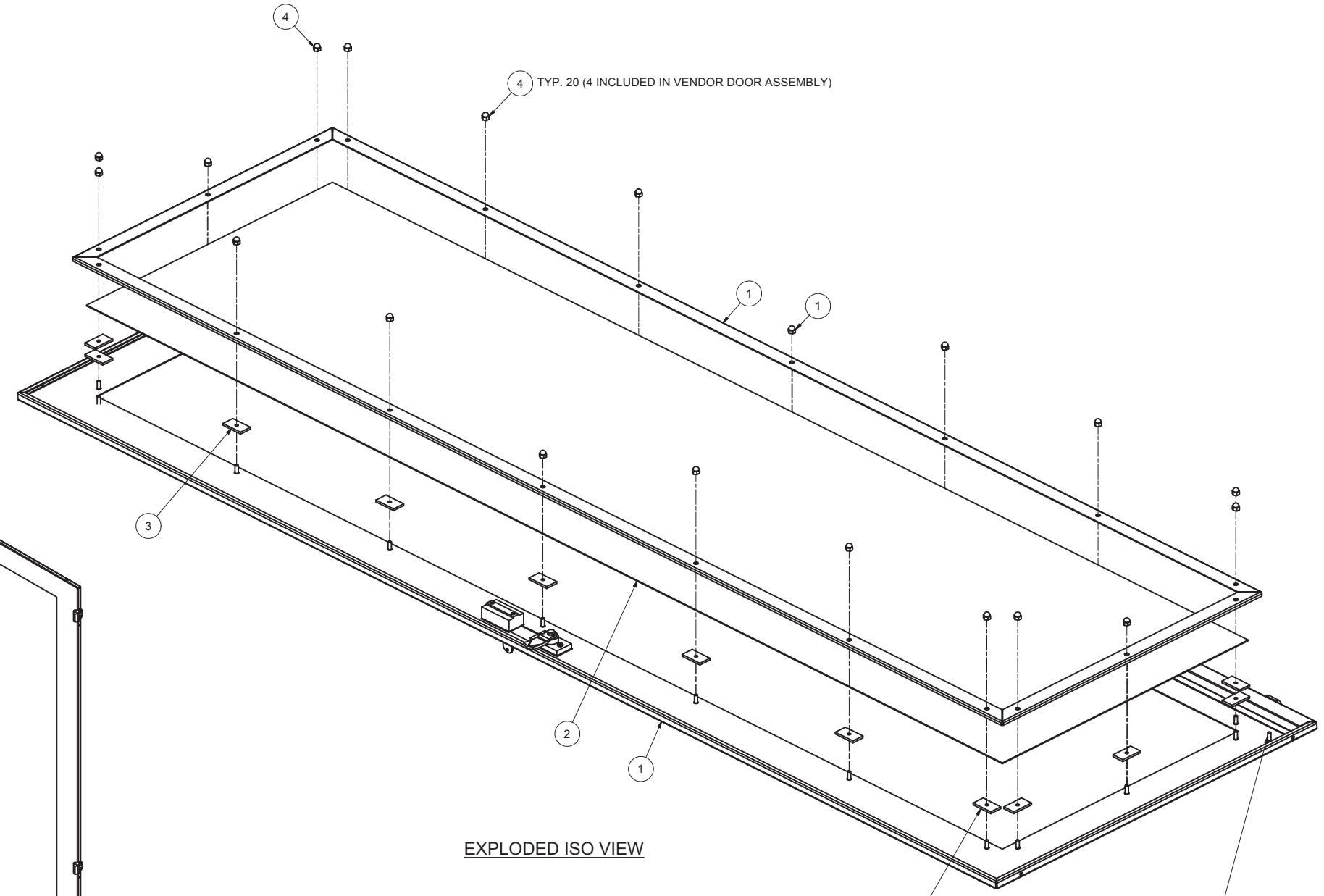
FRONT VIEW

REVERSIBLE HANDLE & HINGES ALLOW THE DOOR TO BE EITHER LEFT OR RIGHT HAND HINGED



HINGED SIDE VIEW

STANDARD SWING HANDLE w/ KEYED LOCK - OPTIONAL HANDLES ARE AVAILABLE



EXPLODED ISO VIEW

INTERPRET DRAWING PER ASME Y14.5M-1994
DIMENSIONAL LIMITS APPLY AFTER APPLICATION OF FINISH
DRAWING NOT TO SCALE
TOLERANCE UNLESS OTHERWISE NOTED:
ANGULAR +/- .1
.XXXX +/- .010
.XXX +/- .015
.XX +/- .030
.X FOR REF. ONLY
UNLESS OTHERWISE SPECIFIED ALL DIMENSIONS ARE IN INCHES

NOTICE:
Use of this document is subject to a confidentiality and nondisclosure agreement with Great Lakes Case & Cabinet Co., Inc. (GLCC) and may not be reproduced, disclosed or utilized in whole or in part without prior written authorization from GLCC.

PART NUMBER:	8402EM29
QTY PER UNIT:	1
MATERIAL TYPE:	CRS
MATERIAL GAUGE:	#16 GA
FINISH:	POWDERCOAT
DRAWN:	JAL
CHECKED & APP.:	CA
DATE:	8/6/2003

TITLE:	MESH DOOR FOR 84"H x 29"W 'E' ASSEMBLY		
GREAT LAKES CASE & CABINET CO., INC.			
P.O. BOX 551 EDINBORO, PA 16412			
PHONE (814) 734-7303 FAX (814) 734-3907			
E-MAIL glcc@greatcabinets.com			
DWG NO.:	I000684	REV:	7
		SHEET: 1 OF 1	



THIRD ANGLE PROJECTION