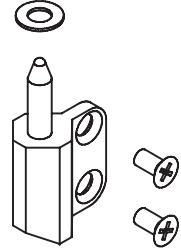
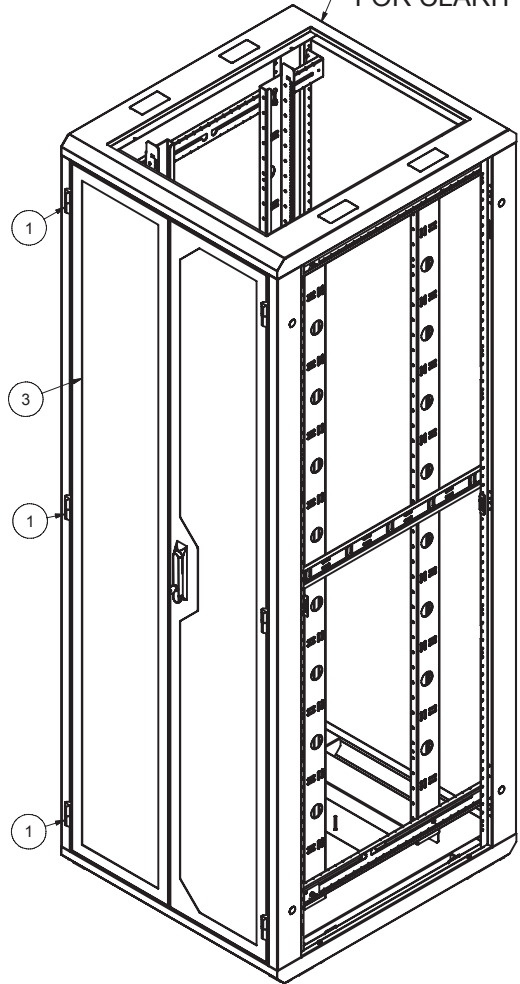


REVISION HISTORY			
REV	DESCRIPTION	DATE	APPROVED
1	ECO-01952	6/1/2007	WSS
2	ECO-02010	8/1/07	WSS
3	ECO-02345	8/11/2008	FED

ITEM			Bill of Material		FILE NAME	REVISION
ITEM	PART NUMBER	QTY	DESCRIPTION			
1	HINGEM	3	HINGE, MALE PORTION, WITH WASHER		I000538.iam	0
2	H01-069	6	SCREW, 10-32x3/8" PH FLAT TYPE 23 BLACK OXIDE/WAX RoHS		SCR1032X375FHBLK23.ipt	
3		1	SPLIT MESH DOORS FOR 84H x 29W E		I005469.iam	2

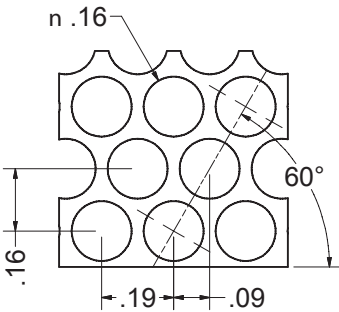
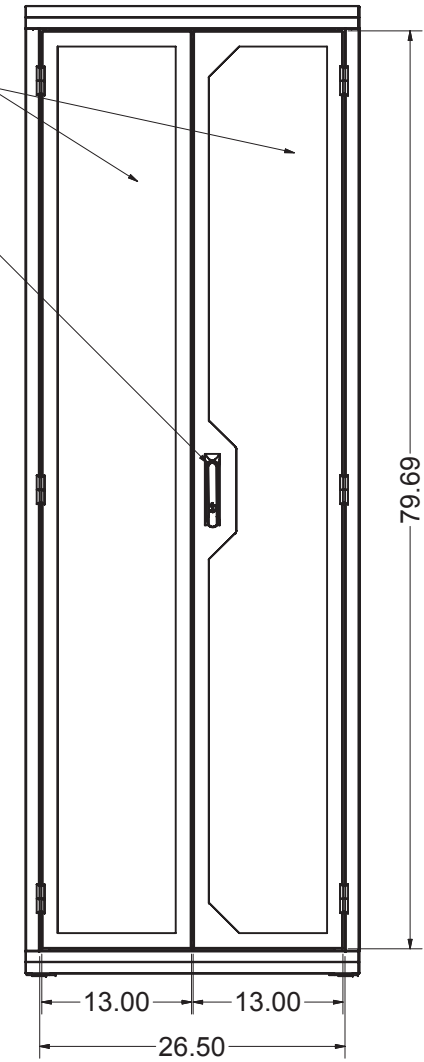
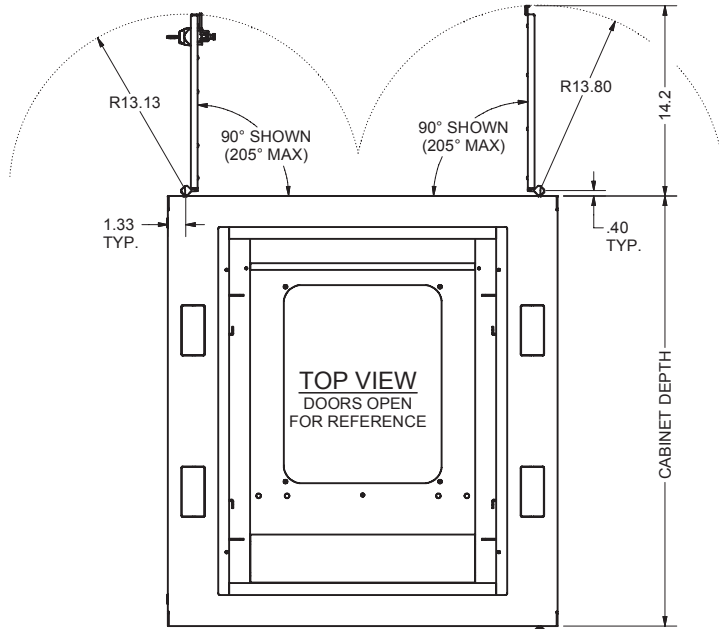
CABINET SHOWN FOR CLARITY



DETAIL B
SHIP ITEMS #1 & 2 LOOSE
AS A HARDWARE

MESH PANELS
(SEE DETAIL A)

3-POINT LATCHING
HANDLE W/ KEYED LOCK



DOOR SPECIFICATIONS:
- DOOR AND MESH PANEL = 16 GA CRS
- DOOR COMPATIBLE WITH GLCC
OPTIONAL HANDLES. XHGLCC SWING
HANDLE STANDARD.

INTERPRET DRAWING PER ASME Y14.5M-1994
DIMENSIONAL LIMITS APPLY
AFTER APPLICATION OF FINISH
DRAWING NOT TO SCALE
TOLERANCE UNLESS OTHERWISE NOTED:
ANGULAR +/- 1 -
.XXX +/- .010
.XXX +/- .015
.XX +/- .030
.X FOR REF. ONLY

NOTICE:
Use of this document is subject to a confidentiality and nondisclosure agreement with Great Lakes Case & Cabinet Co., Inc. (GLCC) and may not be reproduced, disclosed or utilized in whole or in part without prior written authorization from GLCC.

PART NUMBER:
8402E29SM
QTY PER UNIT: 1
MATERIAL TYPE:
-
MATERIAL GAUGE:
#16 GA
FINISH:
-
DRAWN: JAL DATE: 8/11/2008
CHECKED & APP. DATE: 5/31/2007
WSS

TITLE
SPLIT MESH DOOR SET, COMPLETE, FOR 84"H x 29"W ENHANCED ENCLOSURE
GREAT LAKES CASE & CABINET CO., INC.
P.O. BOX 551 EDINBORO, PA 16412
PHONE (814) 734-7303 FAX (814) 734-3907
E-MAIL glcc@greatcabinets.com

DWG NO: **I005468** REV: **3** SHEET: 1 OF 1



UNLESS OTHERWISE SPECIFIED
ALL DIMENSIONS ARE IN INCHES