

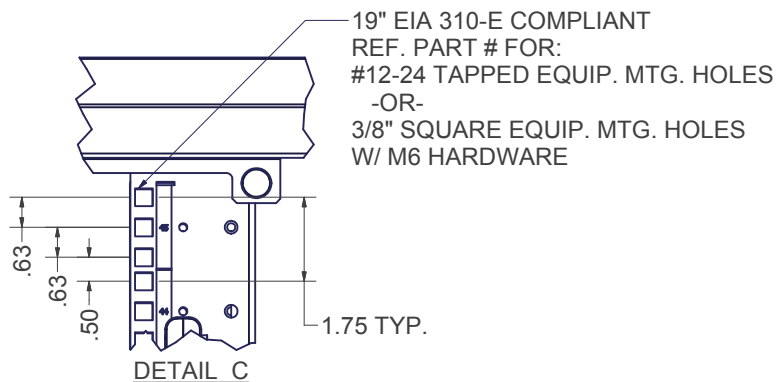
CONFIG PART #

840ENT3242-FK

840EN3242-FK

EN FRAME 84"H x 32"W x 42"D WITH 2 PAIR OF 45 RMU #12-24 TAPPED RAILS AND CABLE MANAGEMENT FINGERS ON ALL RAILS

EN FRAME 84"H x 32"W x 42"D WITH 2 PAIR OF 45 RMU M6 RAILS AND CABLE MANAGEMENT FINGERS ON ALL RAILS

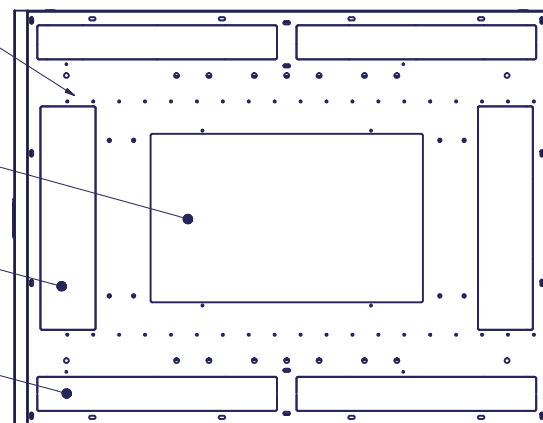


INDEPENDENT MOUNTING LOCATIONS FOR LADDERRACK BRACKETS OR TOP MOUNTED CABLE TROUGHS

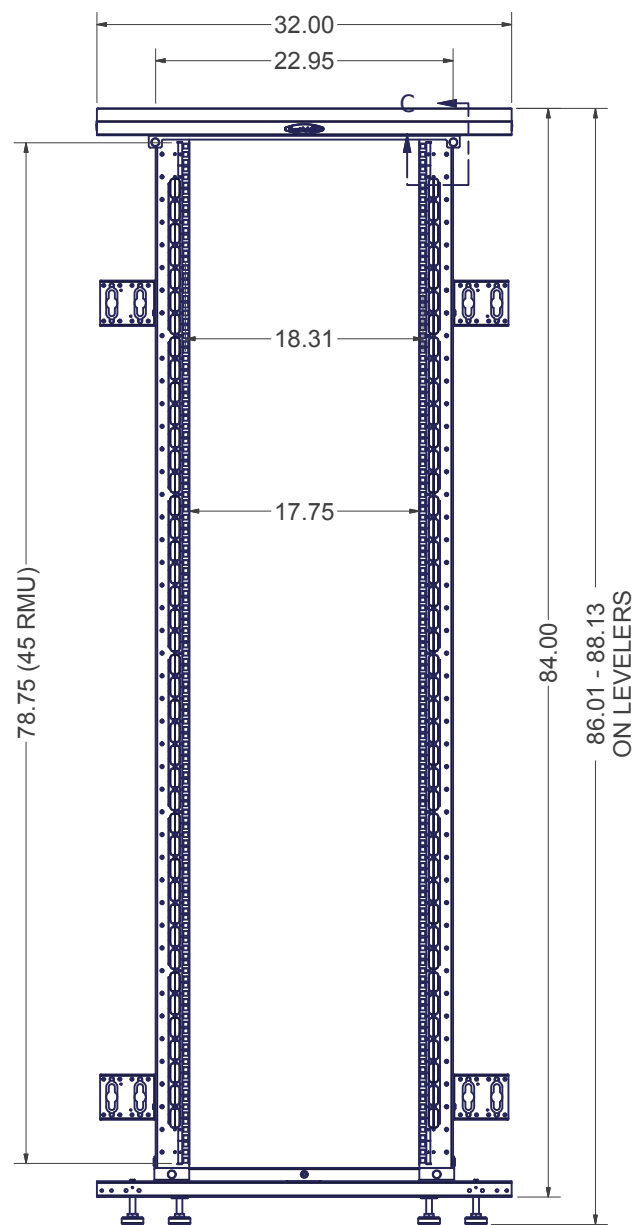
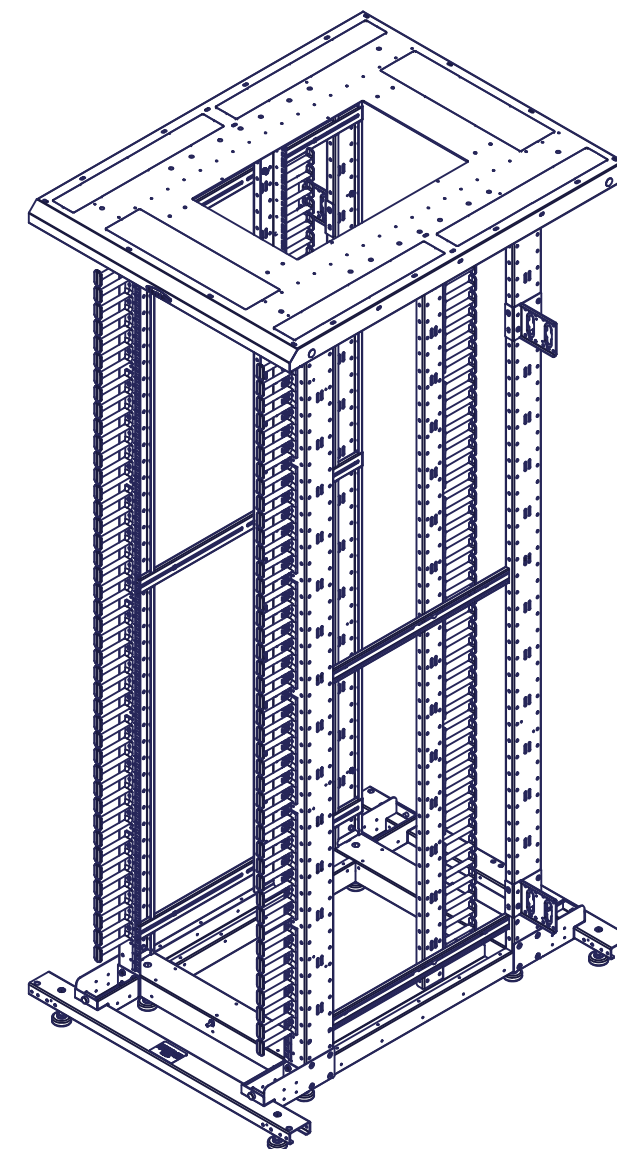
TOP PANEL OPENING (273 sq.in.) SOLID, VENTED, OR WITH EXHAUST FANS UP TO 1100 CFM.

4.25 x 17.25 CABLE PASS THROUGH KNOCKOUT (73.31 sq.in.) 2 PLACES

2.63 x 18.50 CABLE PASS THROUGH KNOCKOUT (48.56 sq.in.), 4 PLACES

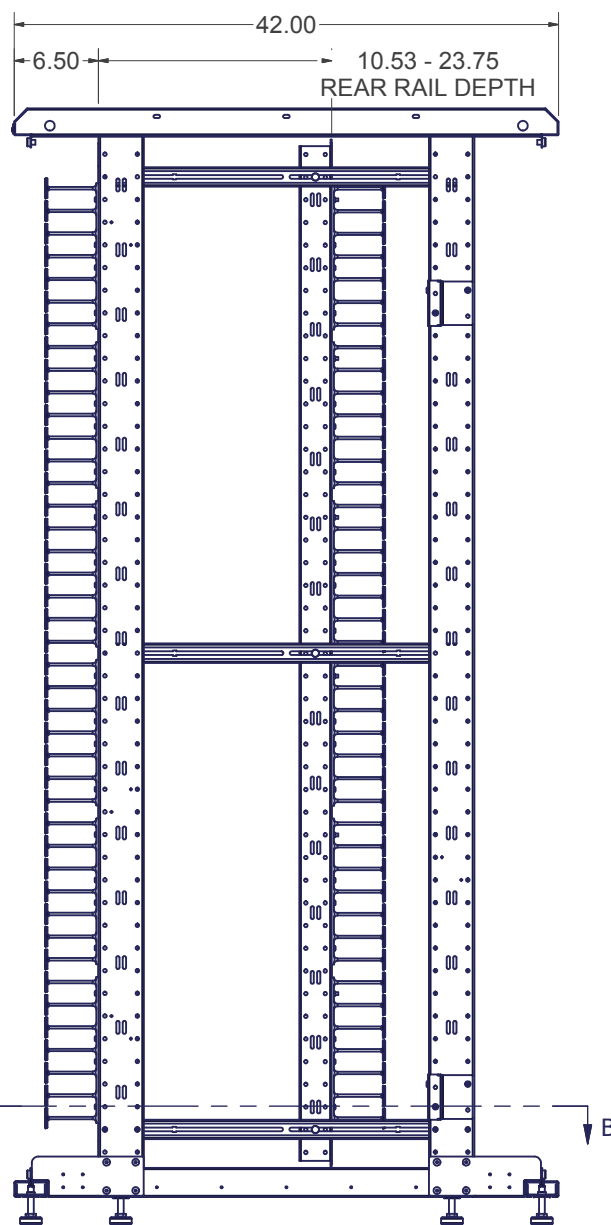


TOP VIEW

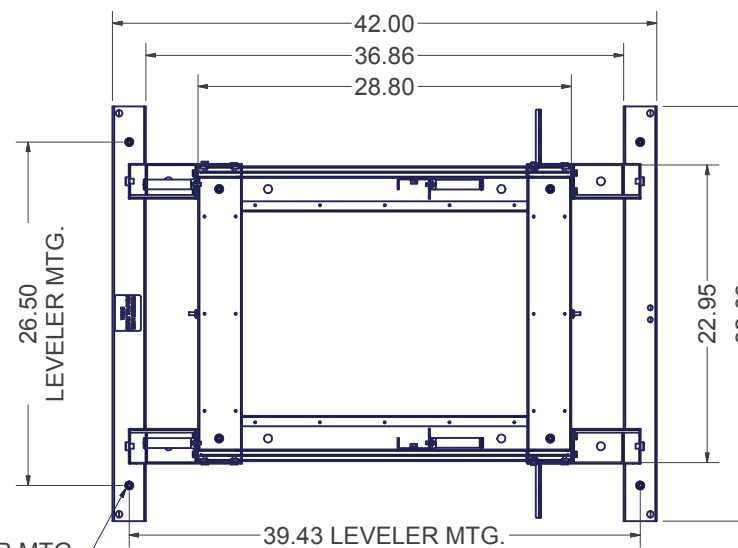


FRONT VIEW

LEVELING GLIDES (8 INCLUDED) 1/2-13 UNC THREADED HOLES



RIGHT SIDE VIEW



SECTION B-B
DOORS AND SIDES REMOVED

SPECIFICATIONS:

CONFIG. # KIT INCLUDES: QTY. 1 8401ENX3242, BASE FRAME UNIT WITH RAILS

DIMENSIONS : 84.0"H x 32.0"W x 42.0"D

RACK SPACES : 45 RMU w/ NUMBERED RMU INDICATORS, 19" EIA 310-E COMPLIANT.

COLOR : DURABLE TEXTURED BLACK POWDER COATING

CONSTRUCTION : FULL WELDED FRAME WITH RECESSED #12 GA CORNER POSTS
1 PAIR FIXED #12 GA RAILS, 1 PAIR ADJUSTABLE DEPTH #12 GA RAILS

HARDWARE : PACKAGE OF QTY-50; #12-24 SCREWS -OR- M6 SCREWS W/ CAGE NUTS, INCLUDED.

INTERPRET DRAWING PER ASME Y14.5M-1994
DIMENSIONAL LIMITS APPLY AFTER APPLICATION OF FINISH
DRAWING NOT TO SCALE
TOLERANCE UNLESS OTHERWISE NOTED:
ANGULAR +/- .1
.XXXX +/- .010
.XXX +/- .015
.XX +/- .030
.X FOR REF. ONLY

NOTICE:

Use of this document is subject to a confidentiality and nondisclosure agreement with Great Lakes Case & Cabinet Co., Inc. (GLCC) and may not be reproduced, disclosed or utilized in whole or in part without prior written authorization from GLCC.

PART NUMBER:	SEE CHART
QTY PER UNIT:	1
MATERIAL TYPE:	
MATERIAL GAUGE:	
FINISH:	
DRAWN CD	DATE 2/8/2011
CHECKED & APP. WSS	DATE 2/8/11

TITLE	EN FRAME 84"H x 32"W x 42"D AND 45 RMU RAILS
GREAT LAKES CASE & CABINET CO., INC. P.O. BOX 551 EDINBORO, PA 16412 PHONE (814) 734-7303 FAX (814) 734-3907 E-MAIL glcc@greatcabinets.com	
DWG NO:	REV
SEE CHART	



THIRD ANGLE PROJECTION
UNLESS OTHERWISE SPECIFIED ALL DIMENSIONS ARE IN INCHES