

CONFIG PART #

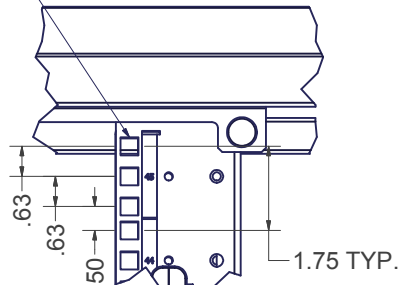
840ENT3242MSS-NS

EN FRAME 84"H x 32"W x 42"D WITH 2 PAIR OF 45 RMU #12-24 TAPPED RAILS, CABLE MANAGEMENT FINGERS ON ALL RAILS, SOLID TOP, DUAL HINGE PERF FRONT DOOR AND SPLIT PERF REAR DOOR

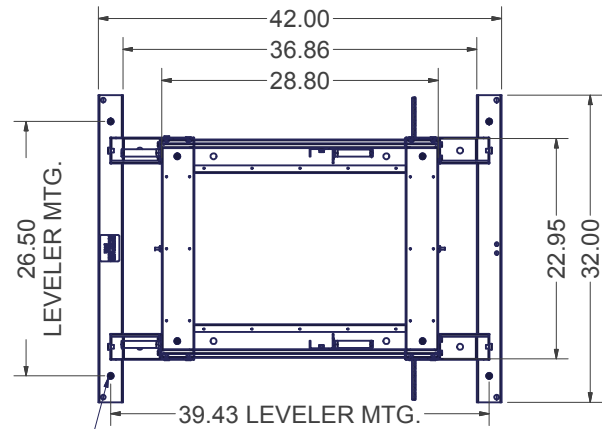
840EN3242MSS-NS

EN FRAME 84"H x 32"W x 42"D WITH 2 PAIR OF 45 RMU M6 RAILS, CABLE MANAGEMENT FINGERS ON ALL RAILS, SOLID TOP, DUAL HINGE PERF FRONT DOOR AND SPLIT PERF REAR DOOR

19" EIA 310-e COMPLIANT
REF. PART # FOR:
#12-24 TAPPED EQUIP. MTG. HOLES
-OR-
3/8" SQUARE EQUIP. MTG. HOLES
W/ M6 HARDWARE



DETAIL C



SECTION B-B
DOORS AND SIDES REMOVED

INDEPENDENT MOUNTING LOCATIONS
FOR LADDERRACK BRACKETS OR
TOP MOUNTED CABLE TROUGHS

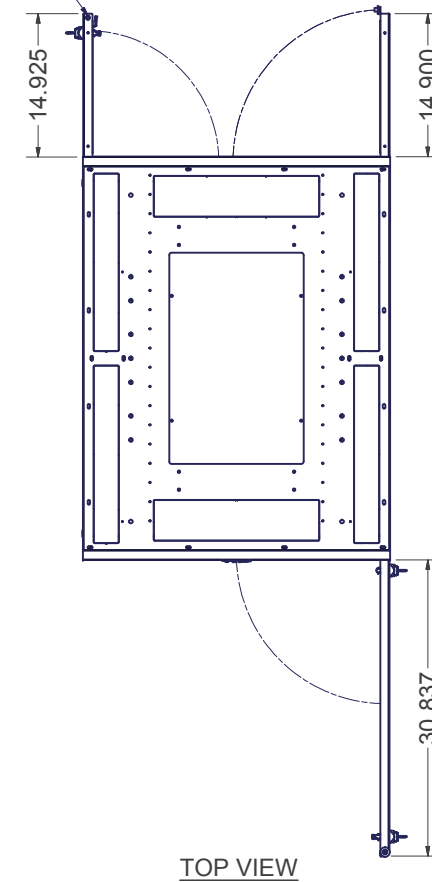
TOP PANEL OPENING
(273 sq.in.); SOLID,
VENTED, OR WITH
EXHAUST FANS
UP TO 1100 CFM.

4.25 x 17.25 CABLE PASS
THROUGH KNOCKOUT
(73.31 sq.in.), 2 PLACES

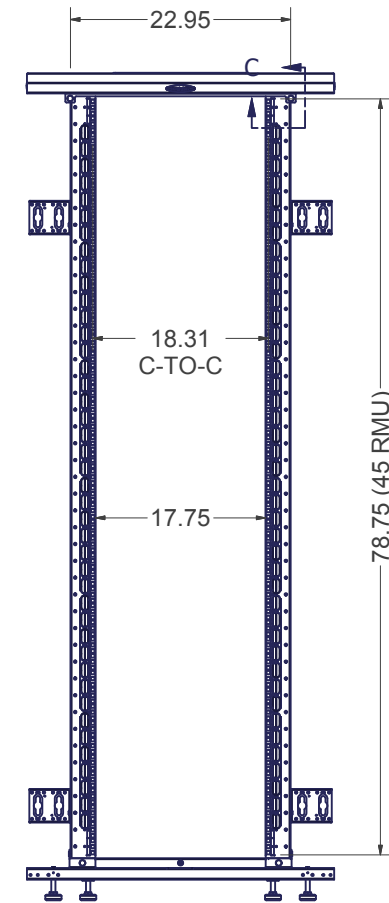
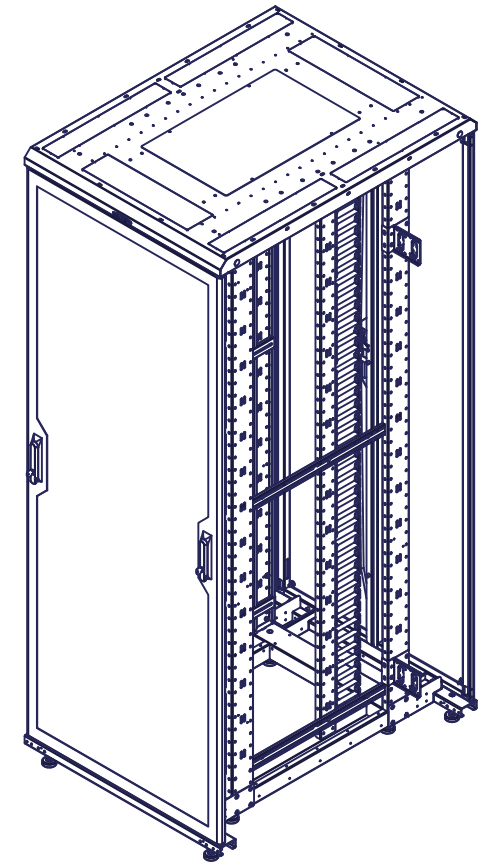
2.63 x 18.50 CABLE PASS
THROUGH KNOCKOUT
(48.56 sq.in.), 4 PLACES

TOP VIEW

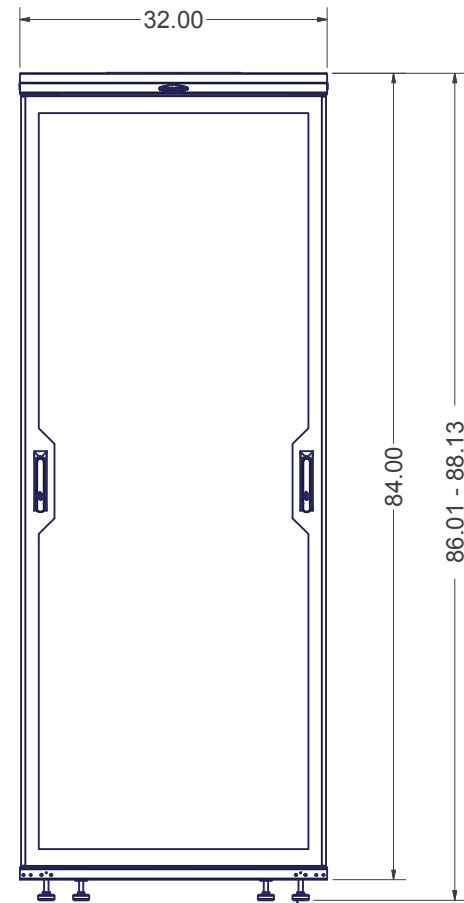
SPLIT MESH REAR DOORS
PART # 8402EN32SM



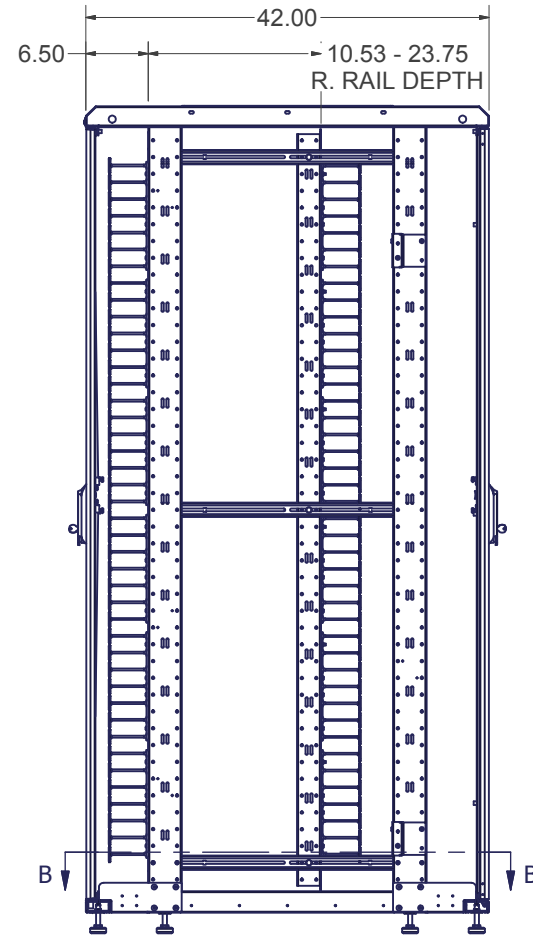
TOP VIEW



FRONT VIEW
DOORS AND SIDES REMOVED



FRONT VIEW
LEVELING GLIDES (8 INCLUDED)
1/2-13 UNC THREADED HOLES



RIGHT SIDE VIEW

SPECIFICATIONS:

CONFIG. # KIT INCLUDES: QTY. 1 8401ENX3242, BASE FRAME UNIT WITH RAILS
QTY. 1 8402EN32SM, SPLIT MESH REAR DOOR ASSEMBLY
QTY. 1 8402ENM32, MESH FRONT DOOR ASSEMBLY

DIMENSIONS : 84.0"H x 32.0"W x 42.0"D

RACK SPACES : 45 RMU w/ NUMBERED RMU INDICATORS, 19" EIA 310-E COMPLIANT.

COLOR : DURABLE TEXTURED BLACK POWDER COATING

CONSTRUCTION : FULL WELDED FRAME WITH RECESSED #12 GA CORNER POSTS
1 PAIR FIXED #12 GA RAILS, 1 PAIR ADJUSTABLE DEPTH #12 GA RAILS
DOORS #16 C.R.S.

HARDWARE : PACKAGE OF QTY-50; #12-24 SCREWS -OR- M6 SCREWS W/ CAGE NUTS, INCLUDED.

INTERPRET DRAWING PER ASME Y14.5M-1994
DIMENSIONAL LIMITS APPLY AFTER APPLICATION OF FINISH
DRAWING NOT TO SCALE
TOLERANCE UNLESS OTHERWISE NOTED:
ANGULAR +/- 1
.XXXX +/- .010
.XXX +/- .015
.XX +/- .030
.X FOR REF. ONLY
UNLESS OTHERWISE SPECIFIED ALL DIMENSIONS ARE IN INCHES

NOTICE:

Use of this document is subject to a confidentiality and nondisclosure agreement with Great Lakes Case & Cabinet Co., Inc. (GLCC) and may not be reproduced, disclosed or utilized in whole or in part without prior written authorization from GLCC.

PART NUMBER: SEE CHART
QTY PER UNIT: 1
MATERIAL TYPE:
MATERIAL GAUGE:
FINISH:
DRAWN CD
CHECKED & APP. WSS
DATE 2/8/2011
DATE 2/8/11

TITLE EN FRAME 84"H x 32"W x 42"D WITH DUAL HINGE PERF FRONT DOOR, SPLIT PERF REAR DOOR AND 45 RU RAILS
GREAT LAKES CASE & CABINET CO., INC. P.O. BOX 551 EDINBORO, PA 16412 PHONE (814) 734-7303 FAX (814) 734-3907 E-MAIL glcc@greatcabinets.com
DWG NO: SEE CHART
REV
SHEET: 1 OF 1



THIRD ANGLE
PROJECTION