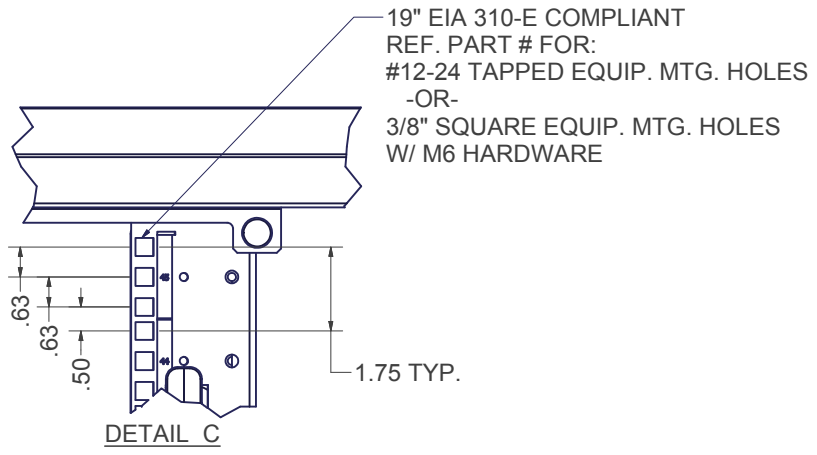
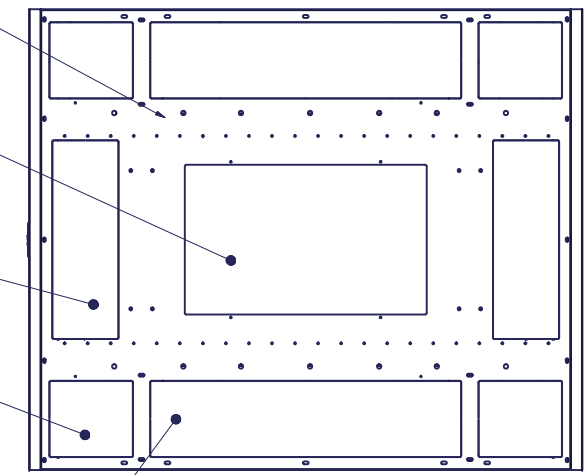


CONFIG PART #	
840ENT4048-FK	840EN4048-FK
EN FRAME 84"H x 40"W x 48"D WITH 2 PAIR OF 45 RMU #12-24 TAPPED RAILS AND CABLE MANAGEMENT FINGERS ON ALL RAILS	EN FRAME 84"H x 40"W x 48"D WITH 2 PAIR OF 45 RMU M6 RAILS AND CABLE MANAGEMENT FINGERS ON ALL RAILS

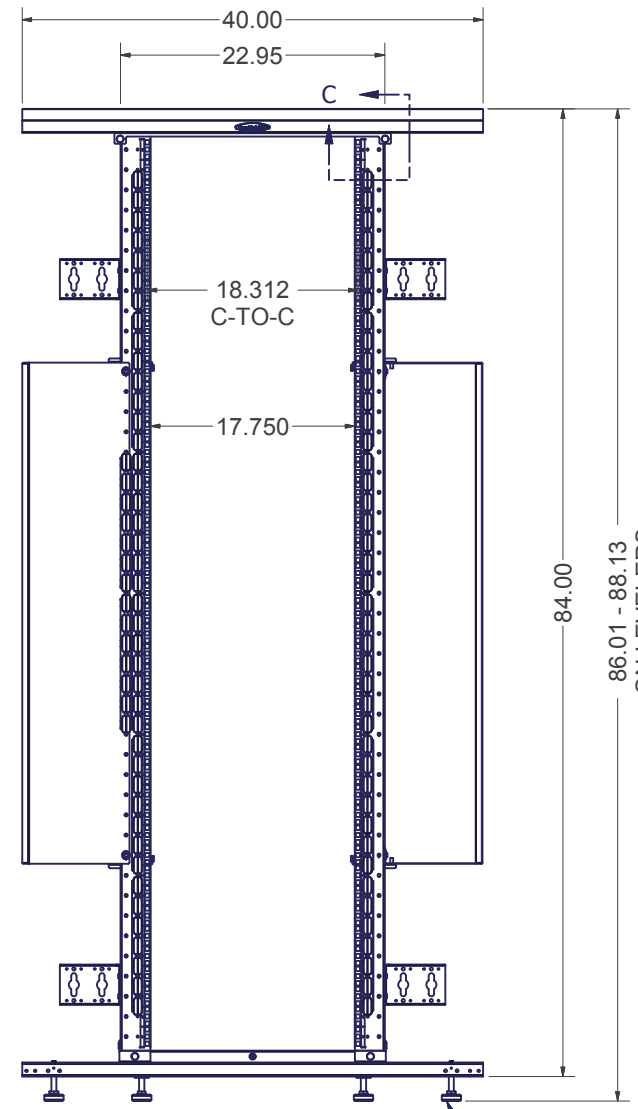
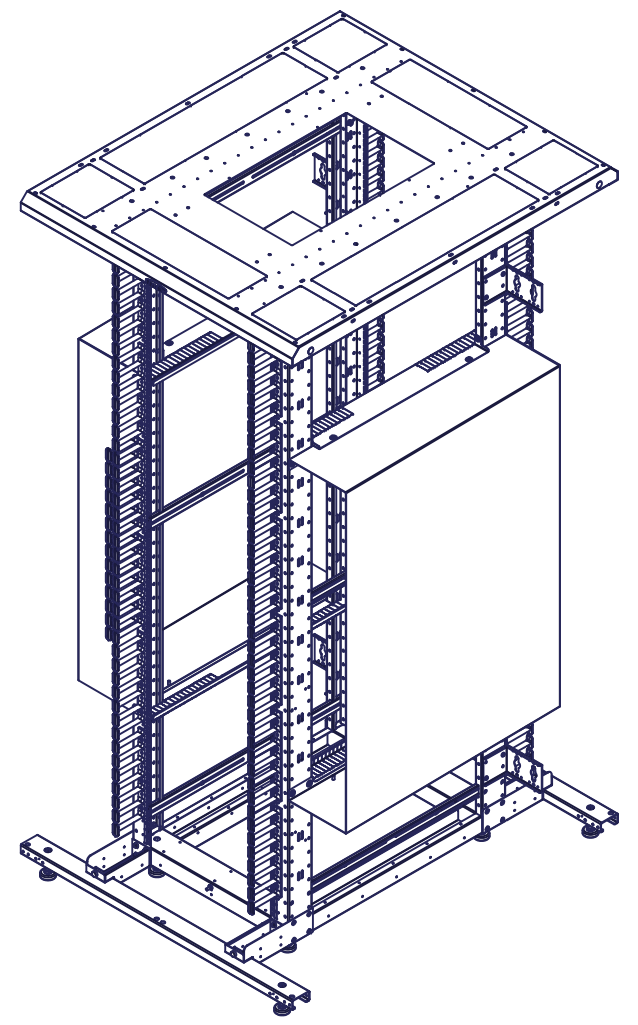


INDEPENDENT MOUNTING LOCATIONS FOR LADDERRACK BRACKETS OR TOP MOUNTED CABLE TROUGHS

- TOP PANEL OPENING (273 sq.in.); SOLID, VENTED, OR WITH EXHAUST FANS UP TO 1100 CFM.
- 5.75 x 17.25 CABLE PASS THROUGH KNOCKOUT (99.19 sq.in.), 2 PLACES
- 6.63 x 7.25 CABLE PASS THROUGH KNOCKOUT (48.03 sq.in.), 4 PLACES
- 6.63 x 27.00 CABLE PASS THROUGH KNOCKOUT (178.88 sq.in.), 2 PLACES

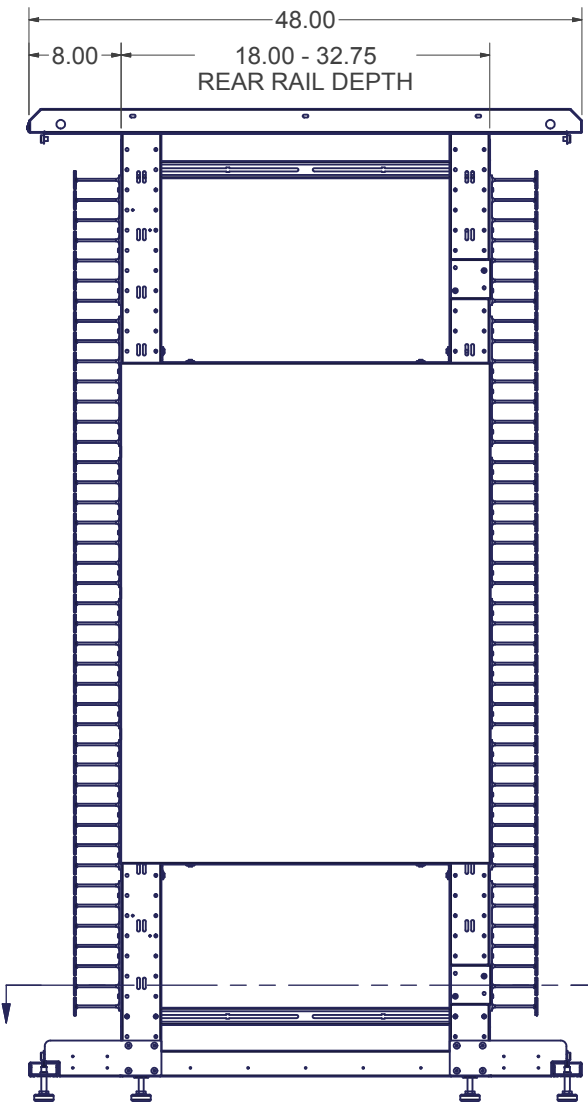


TOP VIEW

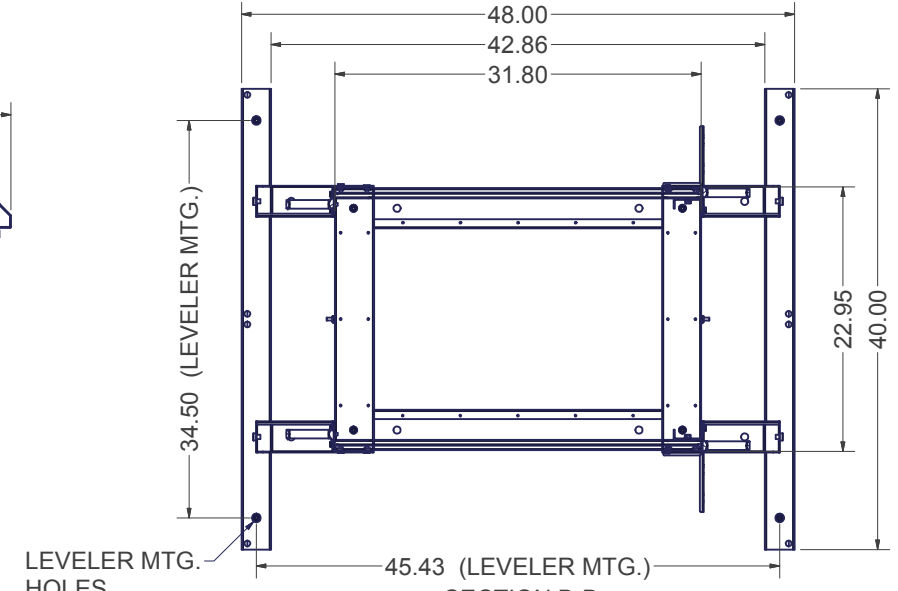


FRONT VIEW

LEVELING GLIDES (8 INCLUDED)  
1/2-13 UNC THREADED HOLES



RIGHT SIDE VIEW



SECTION B-B  
DOORS AND SIDES REMOVED

**SPECIFICATIONS:**

**CONFIG. # KIT INCLUDES:** QTY. 1 8401ENX4048, BASE FRAME UNIT WITH RAILS  
QTY. 1 8402EN40SM, EN SIDE AIRFLOW BAFFLE CISCO 7018 SWITCH

**DIMENSIONS :** 84.0"H x 40.0"W x 48.0"D

**RACK SPACES :** 45 RMU w/ NUMBERED RMU INDICATORS, 19" EIA 310-E COMPLIANT.

**COLOR :** DURABLE TEXTURED BLACK POWDER COATING

**CONSTRUCTION :** FULL WELDED FRAME WITH RECESSED #12 GA CORNER POSTS  
1 PAIR FIXED #12 GA RAILS, 1 PAIR ADJUSTABLE DEPTH #12 GA RAILS  
& LIGHTWEIGHT ALUMINUM SIDE AIRFLOW BAFFLE KIT FOR 25 RMU  
7018 CISCO SWITCH

**HARDWARE :** PACKAGE OF QTY-50; #12-24 SCREWS -OR- M6 SCREWS W/ CAGE NUTS, INCLUDED.

INTERPRET DRAWING PER ASME Y14.5M-1994
DIMENSIONAL LIMITS APPLY AFTER APPLICATION OF FINISH
DRAWING NOT TO SCALE
TOLERANCE UNLESS OTHERWISE NOTED:
ANGULAR +/- .1
.XXXX +/- .010
.XXX +/- .015
.XX +/- .030
.X FOR REF. ONLY
UNLESS OTHERWISE SPECIFIED ALL DIMENSIONS ARE IN INCHES

**NOTICE:**  
Use of this document is subject to a confidentiality and nondisclosure agreement with Great Lakes Case & Cabinet Co., Inc. (GLCC) and may not be reproduced, disclosed or utilized in whole or in part without prior written authorization from GLCC.

PART NUMBER:	SEE CHART
QTY PER UNIT:	1
MATERIAL TYPE:	
MATERIAL GAUGE:	
FINISH:	
DRAWN CD	DATE 2/9/2011
CHECKED & APP. WSS	DATE 2/8/11

TITLE	EN FRAME 84"H x 40"W x 48"D WITH SIDE AIRFLOW BAFFLE KIT
GREAT LAKES CASE & CABINET CO., INC. P.O. BOX 551 EDINBORO, PA 16412 PHONE (814) 734-7303 FAX (814) 734-3907 E-MAIL glcc@greatcabinets.com	
DWG NO:	REV
SEE CHART	
SHEET: 1 OF 1	

