

CONFIG PART #

840ENT4048SSS

840EN4048SSS

EN FRAME 84"H x 40"W x 48"D WITH 2 PAIR OF 45 RMU #12-24 TAPPED RAILS, CABLE MANAGEMENT FINGERS ON ALL RAILS, SOLID TOP, DUAL HINGE PERF FRONT DOOR, SPLIT PERF REAR DOOR AND SOLID SIDES

EN FRAME 84"H x 40"W x 48"D WITH 2 PAIR OF 45 RMU M6 RAILS, CABLE MANAGEMENT FINGERS ON ALL RAILS, SOLID TOP, DUAL HINGE PERF FRONT DOOR, SPLIT PERF REAR DOOR AND SOLID SIDES

SPLIT MESH DOORS FRONT AND REAR PART # 8402EN40SM

INDEPENDENT MOUNTING LOCATIONS FOR LADDERRACK BRACKETS OR TOP MOUNTED CABLE TROUGHS

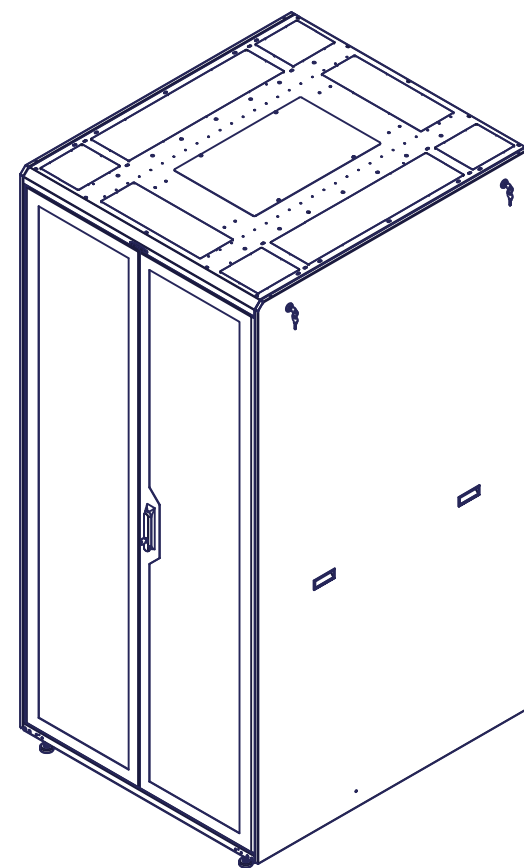
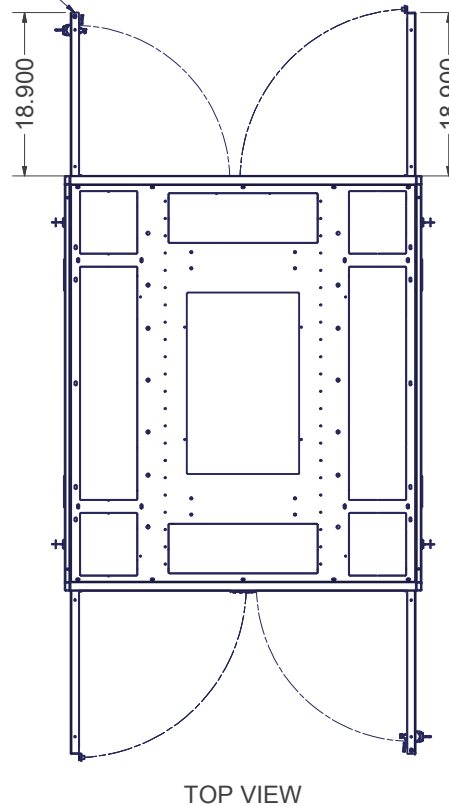
6.63 x 27.00 CABLE PASS THROUGH KNOCKOUT (178.88 sq.in.), 2 PLACES

TOP PANEL OPENING (273 sq.in.); SOLID, VENTED, OR WITH EXHAUST FANS UP TO 1100 CFM.

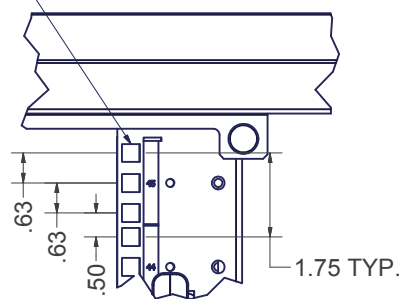
5.75 x 17.25 CABLE PASS THROUGH KNOCKOUT (99.19 sq.in.), 2 PLACES

6.63 x 7.25 CABLE PASS THROUGH KNOCKOUT (48.03 sq.in.), 4 PLACES

TOP VIEW

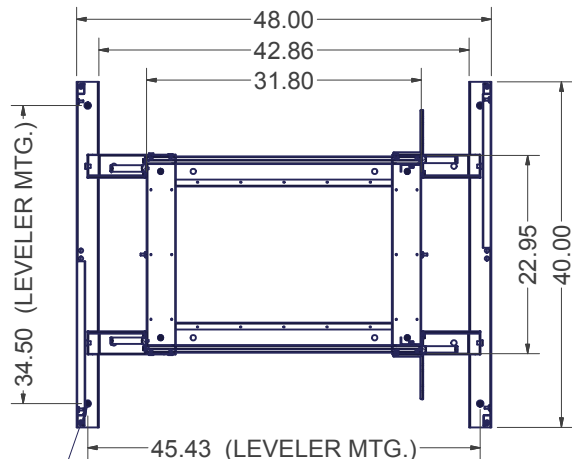


19" EIA 310-E COMPLIANT REF. PART # FOR: #12-24 TAPPED EQUIP. MTG. HOLES -OR- 3/8" SQUARE EQUIP. MTG. HOLES W/ M6 HARDWARE



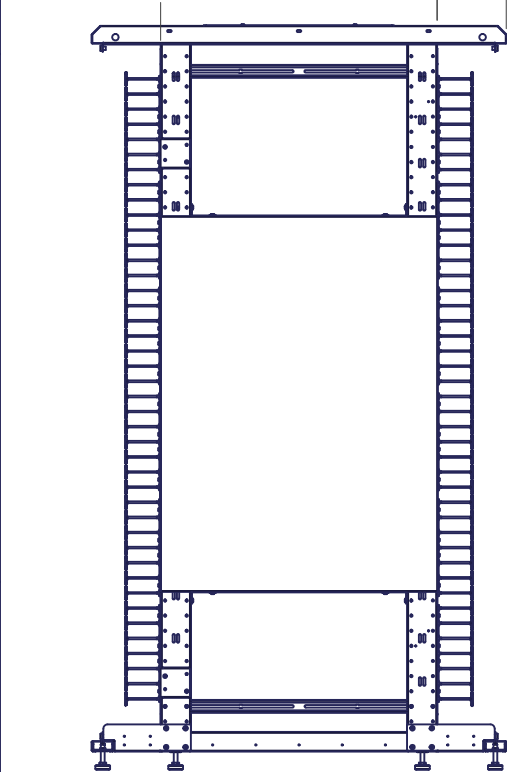
DETAIL C

LEVELER MTG. HOLES

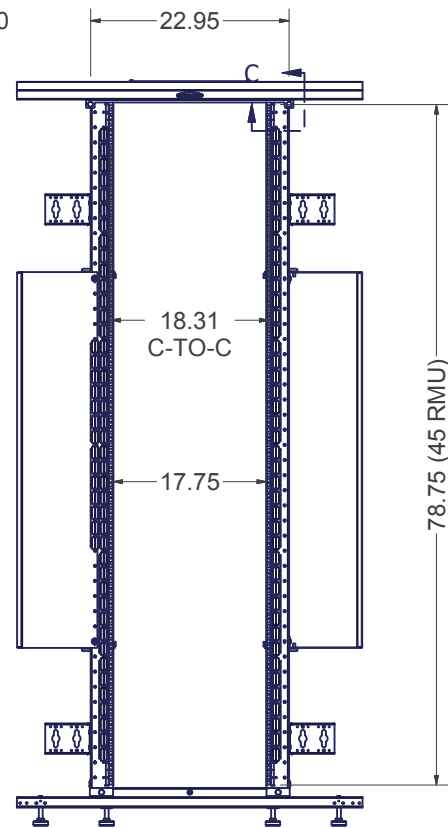


SECTION B-B DOORS AND SIDES REMOVED

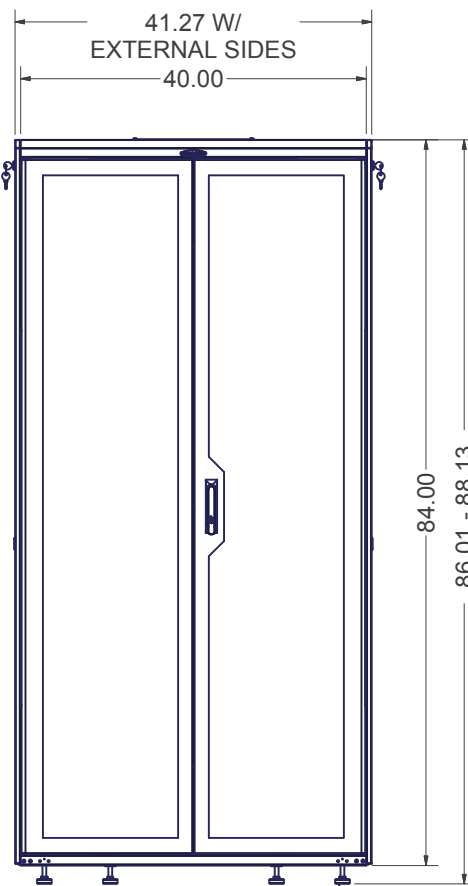
18.00 - 32.75 REAR RAIL DEPTH 8.00



LEFT SIDE VIEW

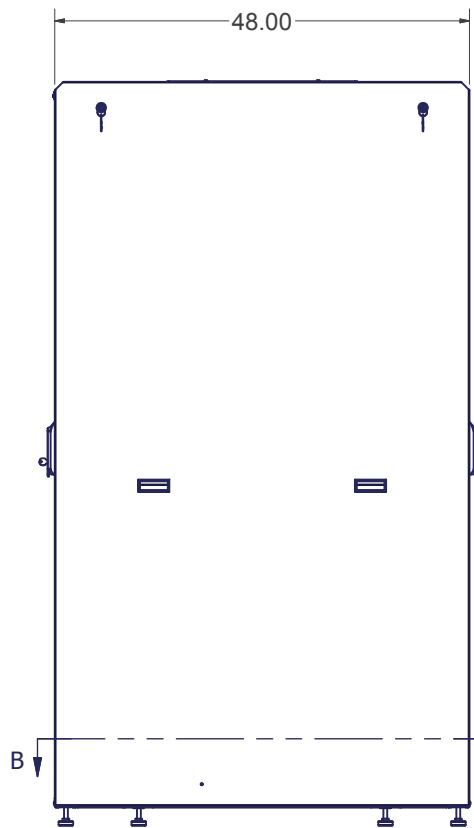


FRONT VIEW DOORS AND SIDES REMOVED



FRONT VIEW

LEVELING GLIDES (8 INCLUDED) 1/2-13 UNC THREADED HOLES



RIGHT SIDE VIEW

SPECIFICATIONS:

CONFIG. # KIT INCLUDES: QTY. 1 8401ENX4048, BASE FRAME UNIT WITH RAILS
 QTY. 2 8402EN40SM, SPLIT MESH FRONT/REAR DOOR ASSEMBLY
 QTY. 2 8410481ENLS, SOLID LIFT-OFF SIDE PANEL ASSEMBLY
 QTY. 1 8402EN40SM, EN SIDE AIRFLOW BAFFLE CISCO 7018 SWITCH

DIMENSIONS : 84.0"H x 40.0"W x 48.0"D

RACK SPACES : 45 RMU w/ NUMBERED RMU INDICATORS, 19" EIA 310-E COMPLIANT.

COLOR : DURABLE TEXTURED BLACK POWDER COATING

CONSTRUCTION : FULL WELDED FRAME WITH RECESSED #12 GA CORNER POSTS
 1 PAIR FIXED #12 GA RAILS, 1 PAIR ADJUSTABLE DEPTH #12 GA RAILS
 DOORS #16 C.R.S., LIGHT-WEIGHT ALUMINUM SIDE PANELS AND SIDE AIRFLOW BAFFLE KIT FOR 25 RMU 7018 CISCO SWITCH

HARDWARE : PACKAGE OF QTY-50; #12-24 SCREWS -OR- M6 SCREWS W/ CAGE NUTS, INCLUDED.

INTERPRET DRAWING PER ASME Y14.5M-1994
 DIMENSIONAL LIMITS APPLY AFTER APPLICATION OF FINISH
 DRAWING NOT TO SCALE
 TOLERANCE UNLESS OTHERWISE NOTED:
 ANGULAR +/- .1
 .XXXX +/- .010
 .XXX +/- .015
 .XX +/- .030
 X FOR REF. ONLY

NOTICE:

Use of this document is subject to a confidentiality and nondisclosure agreement with Great Lakes Case & Cabinet Co., Inc. (GLCC) and may not be reproduced, disclosed or utilized in whole or in part without prior written authorization from GLCC.

PART NUMBER: SEE CHART
 QTY PER UNIT: 1
 MATERIAL TYPE:
 MATERIAL GAUGE:
 FINISH:
 DRAWN CD DATE 2/9/2011
 CHECKED & APP. WSS DATE 2/8/11

TITLE EN FRAME 84"H x 40"W x 48"D W/ SPLIT MESH FRONT & REAR DOORS, SIDE AIRFLOW BAFFLE, SOLID SIDES AND 45 RU RAILS
 GREAT LAKES CASE & CABINET CO., INC.
 P.O. BOX 551 EDINBORO, PA 16412
 PHONE (814) 734-7303 FAX (814) 734-3907
 E-MAIL glcc@greatcabinets.com
 DWG NO: SEE CHART
 REV: SEE CHART



UNLESS OTHERWISE SPECIFIED ALL DIMENSIONS ARE IN INCHES