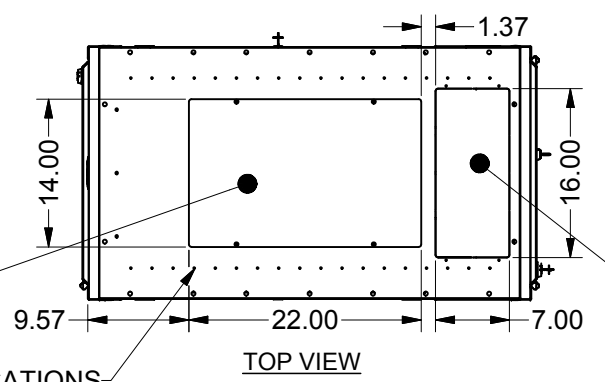
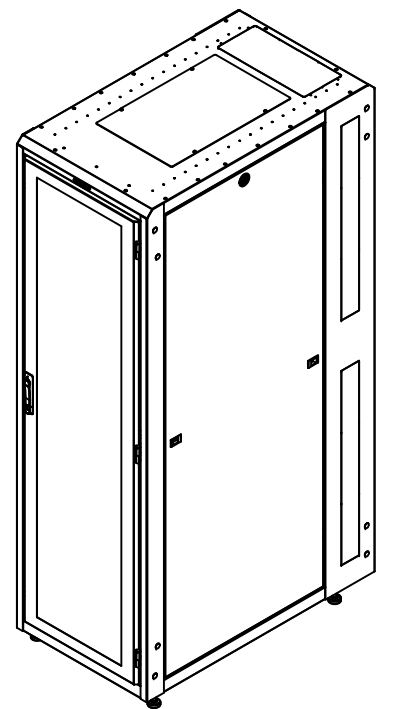
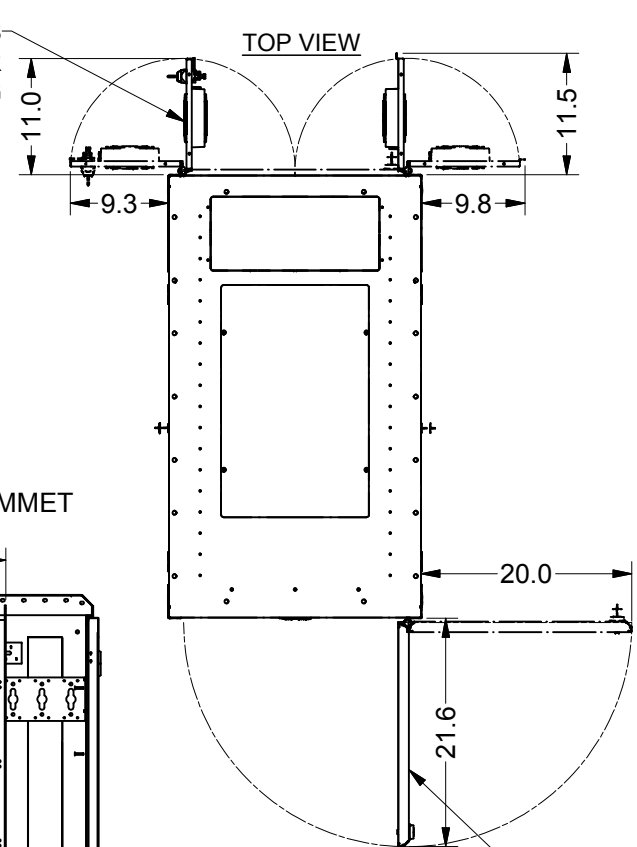


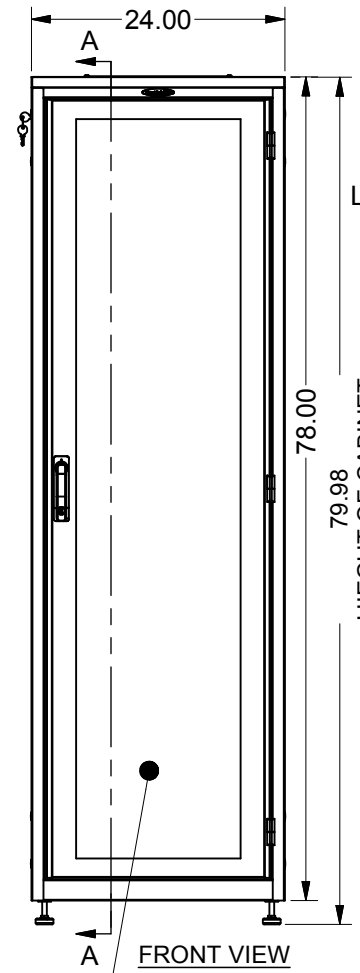
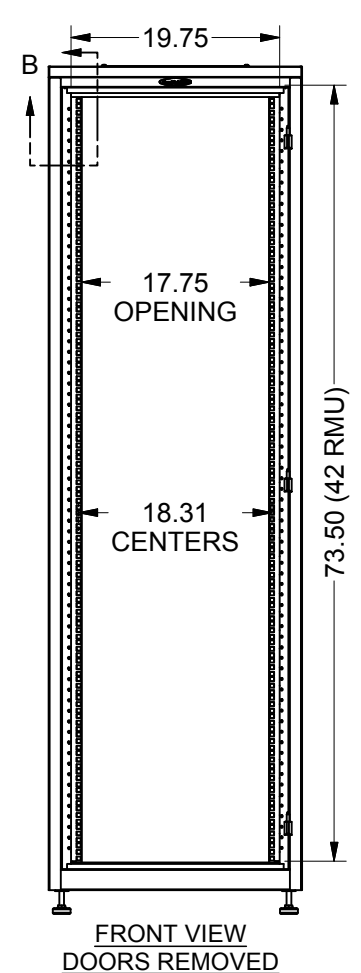
TOP PANEL OPENING (273 sq. in.)  
SOLID, VENTED, OR WITH EXHAUST  
FANS UP TO 1100 CFM  
INDEPENDENT MOUNTING LOCATIONS  
FOR LADDER RACK BRACKETS OR  
TOP MOUNTED CABLE TROUGHS



OPTIONAL SPLIT FAN DOORS  
#7803E-SF24 SHOWN FOR  
REFERENCE 180° DOOR SWING  
TOP REAR KNOCKOUT  
FOR CABLE ACCESS (112 sq. in.)  
OR CHIMNEY EXHAUST

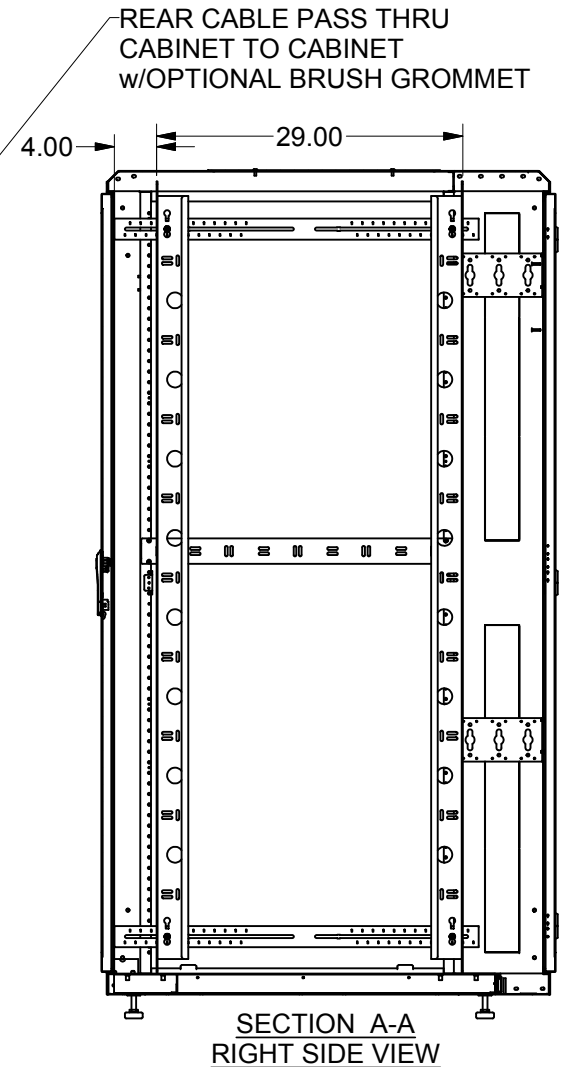
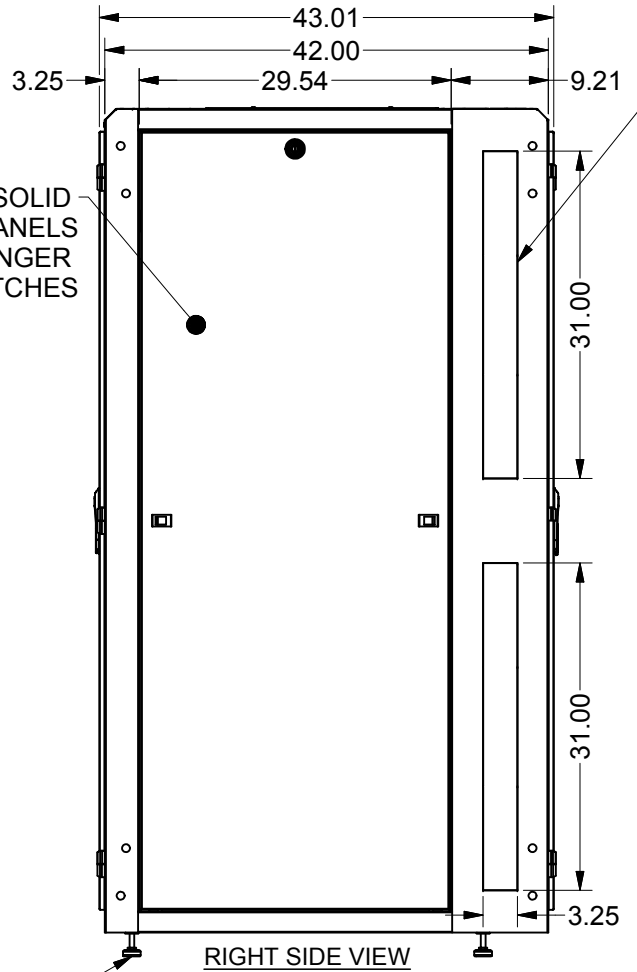


STANDARD MESH CONTOUR  
DOOR SHOWN FOR REFERENCE  
180° DOOR SWING



PAIR OF SOLID  
LIFT OFF SIDE PANELS  
w/LOCK AND FINGER  
RELEASE LATCHES

HIEGHT OF CABINET  
WITH CASTERS  
OR LEVELERS



REAR CABLE PASS THRU  
CABINET TO CABINET  
w/OPTIONAL BRUSH GROMMET

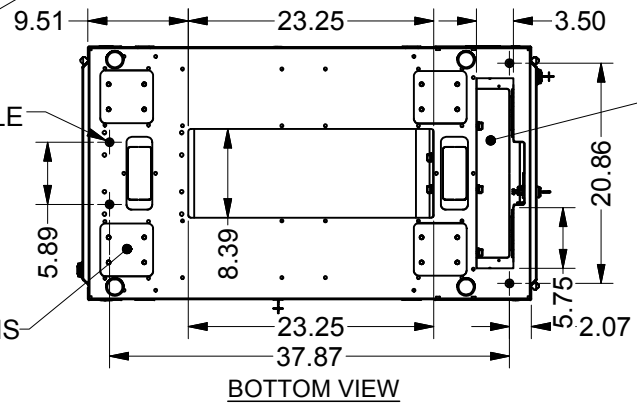
**SPECIFICATIONS:**

- DIMENSIONS :** 78.0"H (80.0"H w/ OPTIONAL CASTERS) x 24.0"W x 42.0"D
- RACK SPACES :** 42 RMU w/ NUMBERED RMU INDICATORS, 19" EIA 310-D COMPLIANT.
- WEIGHT CAPACITY :** 2000 lbs. (BOLTED TO FLOOR, LEVELERS, OR ON CASTERS.)
- COLOR :** DURABLE TEXTURED BLACK POWDER COATING
- CERTIFICATIONS :** UL 60950-1 STANDARD FOR I.T. & COMMUNICATIONS EQ., ENCLOSURES.
- CONSTRUCTION :** 2 PAIR MOUNTING RAILS, #12 GA. C.R.S. FULLY WELDED FRAME, #14 & #12 GA. C.R.S. DOORS, SIDE PANELS, TOP PANEL, #16 C.R.S.
- HARDWARE :** PACKAGE OF QTY-50; M6 SCREWS AND CAGE NUTS, INCLUDED.

LEVELING GLIDES (4 INCLUDED)  
1/2-13 UNC THREADED HOLES

Ø.75" FLOOR MOUNTING HOLE

REAR BOTTOM CABLE  
ACCESS AREA (63 sq. in.)



MESH CONTOUR DOORS  
FRONT AND REAR w/EASY  
LATCH LOCKING HANDLES  
LIFT OFF & FIELD REVERSIBLE

OPTIONAL CASTER MOUNTING LOCATIONS

INTERPRET DRAWING PER ASME Y14.5M-1994  
DIMENSIONAL LIMITS APPLY  
AFTER APPLICATION OF FINISH  
DRAWING NOT TO SCALE  
TOLERANCE UNLESS OTHERWISE NOTED:  
ANGULAR +/- .1°  
.XXX +/- .010  
.XXX +/- .015  
.XXX +/- .030  
X FOR REF. ONLY

**NOTICE:**

Use of this document is subject to a confidentiality and nondisclosure agreement with Great Lakes Case & Cabinet Co., Inc. (GLCC) and may not be reproduced, disclosed or utilized in whole or in part without prior written authorization from GLCC.

PART NUMBER:	GL780ES-2442MS
QTY PER UNIT:	1
MATERIAL TYPE:	
MATERIAL GAUGE:	
FINISH:	
DRAWN:	9-24-07
CHECKED:	9-24-07
WSS	

TITLE	ENHANCED SERVER ENCL., 42 RMU, 19" EIA	
<small>P.O. BOX 551 EDINBORO, PA 16412 PHONE (814) 734-7303 FAX (814) 734-3907 E-MAIL: glcc@greatcabinets.com</small>		
DWG NO:	GL780ES-2442MS	REV
		1
		SHEET 1 OF 1



UNLESS OTHERWISE SPECIFIED  
ALL DIMENSIONS ARE IN INCHES