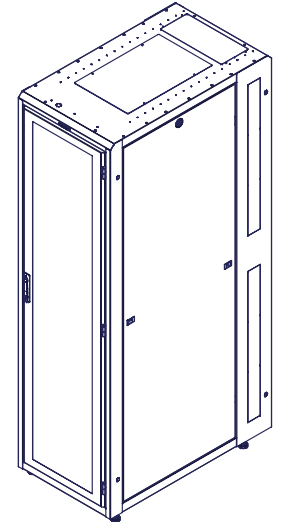
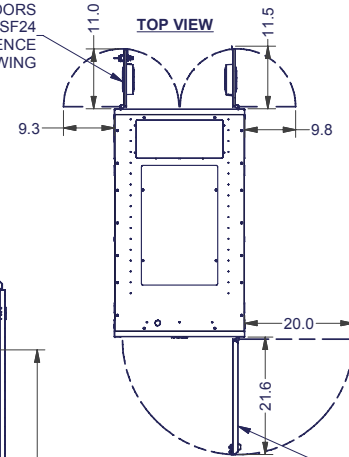


OPTIONAL SPLIT FAN DOORS  
# 4803E-SF24  
SHOWN FOR REFERENCE  
180° DOOR SWING



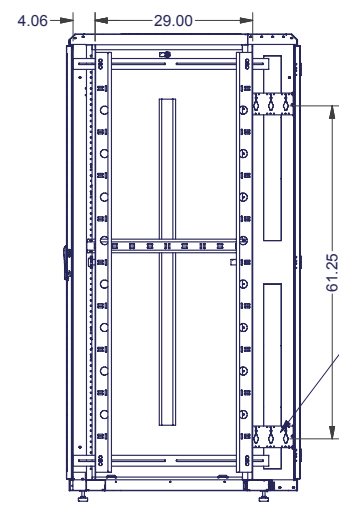
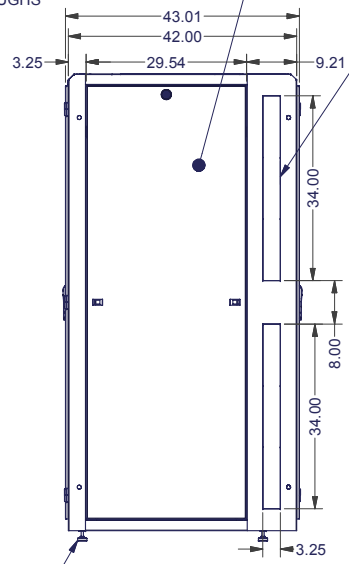
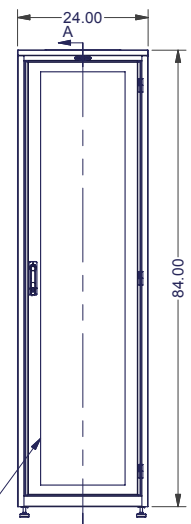
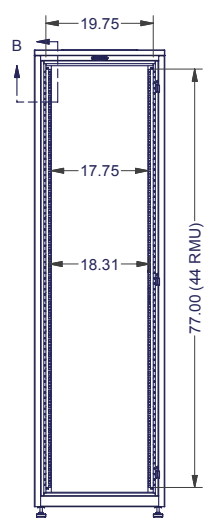
TOP PANEL OPENING (308 sq.in.)  
SOLID, VENTED, OR WITH EXHAUST FANS  
UP TO 1100 CFM.

TOP REAR KNOCKOUT  
FOR CABLE ACCESS (112 sq.in.)  
OR CHIMNEY EXHAUST

INDEPENDENT MOUNTING LOCATIONS  
FOR LADDERRACK BRACKETS OR  
TOP MOUNTED CABLE TROUGHS

PAIR OF SOLID LIFT OFF SIDE PANELS  
w/ LOCK & FINGER RELEASE LATCHES

REAR CABLE PASS THRU  
CABINET TO CABINET  
w/ OPTIONAL BRSH GROMMET



STANDARD MESH CONTOUR DOOR  
SHOWN FOR REFERENCE  
180° DOOR SWING.

UNIVERSAL POWER STRIP MOUNTING BRACKETS  
KEYED BOTTON MOUNTING.  
WILL ACCEPT 3 PDU's, 70"L (MAX.) x 2.5"W PER SIDE.

MESH CONTOUR DOORS  
FRONT AND REAR w/  
EASY LATCH LOCKING HANDLES  
LIFT OFF & FIELD REVERSIBLE

LEVELING GLIDES (4 INCLUDED)  
1/2-13 UNC THREADED HOLES

**SPECIFICATIONS:**

**DIMENSIONS :** 84.0"H (86.0"H w/ OPTIONAL CASTERS) x 24.0"W x 42.0"D

**RACK SPACES :** 44 RMU w/ NUMBERED RMU INDICATORS, 19" EIA 310-D COMPLIANT.

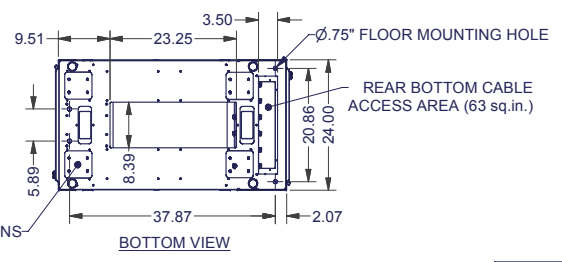
**WEIGHT CAPACITY :** 2000 lbs. BOLTED TO FLOOR OR ON LEVELERS, 1800 lbs. ON CASTERS.

**COLOR :** DURABLE TEXTURED BLACK POWDER COATING

**CERTIFICATIONS :** UL 60950-1 STANDARD FOR I.T. & COMMUNICATIONS EQ., ENCLOSURES.

**CONSTRUCTION :** 2 PAIR MOUNTING RAILS , #12 GA. C.R.S.  
FULLY WELDED FRAME, #14 & #12 GA. C.R.S.  
DOORS, SIDE PANELS, TOP PANEL, #16 C.R.S.

**HARDWARE :** PACKAGE OF QTY-50; M6 SCREWS AND CAGE NUTS, INCLUDED.



OPTIONAL CASTER MOUNTING LOCATIONS



INTERPRET DRAWING PER ASME Y14.5M-1994	
DIMENSIONAL LIMITS APPLY AFTER APPLICATION OF FINISH	
DRAWING NOT TO SCALE	
TOLERANCE UNLESS OTHERWISE NOTED:	
ANGULAR ± .1°	XXX ± .010
XXX ± .015	XX ± .030
X FOR REF. ONLY	
UNLESS OTHERWISE SPECIFIED	ALL DIMENSIONS ARE IN INCHES

**NOTICE:**  
Use of this document is subject to a confidentiality and nondisclosure agreement with Great Lakes Case & Cabinet Co., Inc. (GLCC) and may not be reproduced, disclosed or utilized in whole or in part without prior written authorization from GLCC.

PART NUMBER: <b>8401ES-2442MS</b>	TITLE: <b>ENHANCED SERVER ENCL., 44 RMU, 19" EIA</b>
QTY PER UNIT: 1	MATERIAL TYPE:
MATERIAL GAUGE:	FINISH:
DRAWN BIBS	DATE 6/12/07
CHECKED & APP. WSS	DATE 9/24/07
DWG NO. <b>840ES-2442MS</b>	REV
	SHEET: 1 OF 1

