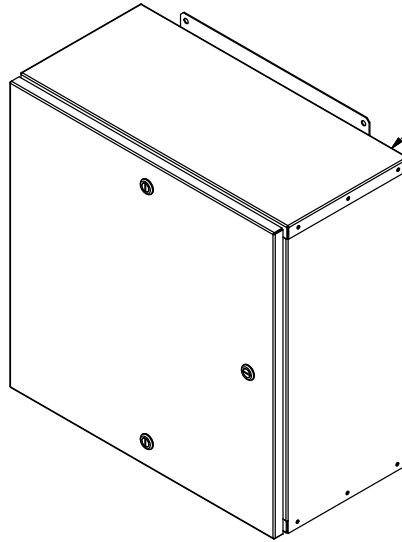
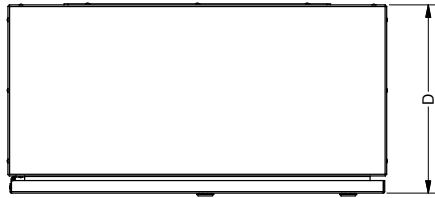


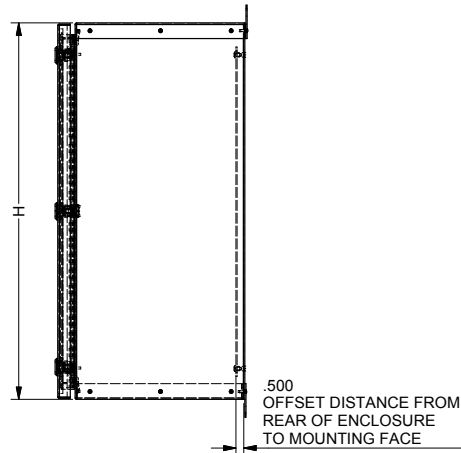
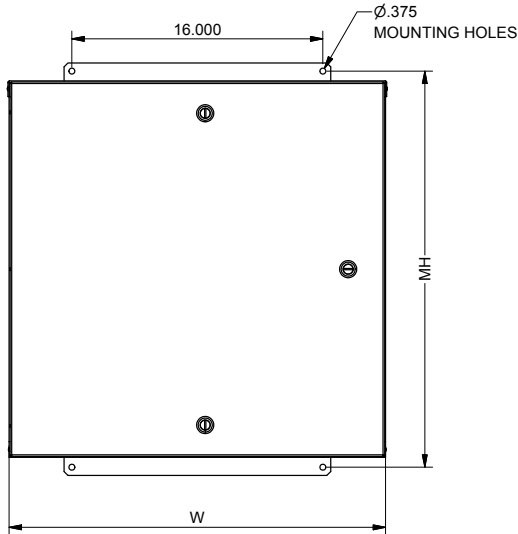
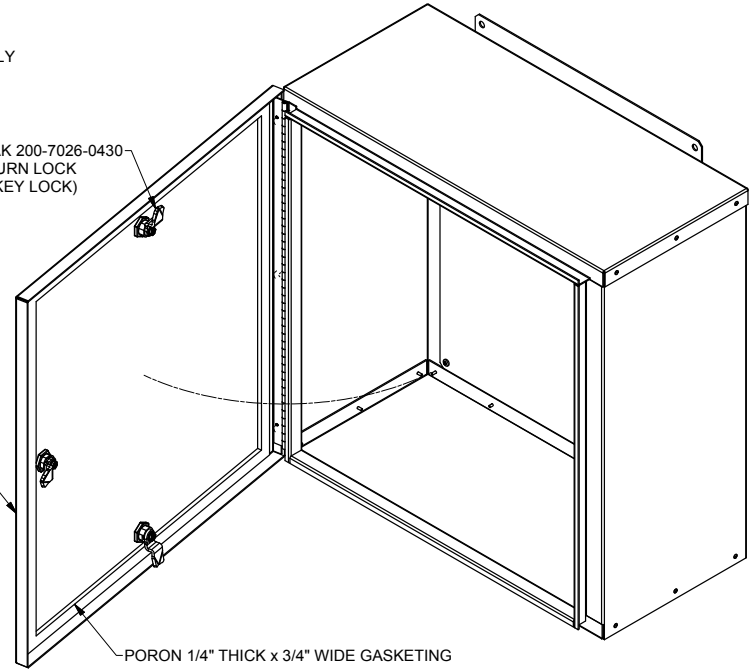


# Nema 12 Wall Mount - WMN Series

PART NUMBER	H - HEIGHT	W - WIDTH	D - DEPTH	EP - EQUIPMENT PLATE	MH - MOUNTING HIEGHT
24WMN2412	24.00"	24.00"	12.00"	21.00"H x 21.00"W	25.25
18WMN1610	18.00"	16.00"	10.00"	15.00"H x 13.00"W	19.25

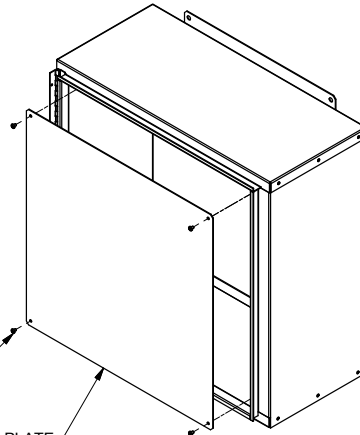


QTY. 3 - DIRAK 200-7026-0430  
QUARTER TURN LOCK  
(OPTIONAL KEY LOCK)



QTY. 4 - EQUIPMENT PLATE  
MOUNTING SCREWS  
10-32 x 0.25" L SCREW

#14 GA C.R.S EQUIPMENT MOUNTING PLATE



### SPECIFICATIONS :

**MOUNTING :** #14 GA EQUIPMENT MOUNTING PLATE

**COLOR :** DURABLE BLACK TEXTURE POWDER COAT.

**RATING :** NEMA-12

**CONSTRUCTION :** #14 C.R.S. GAUGE ENCLOSURE MOUNTING PLATES  
#16 C.R.S. GAUGE WELDED BODY & DOOR  
#14 GA C.R.S EQUIPMENT MOUNTING PLATE