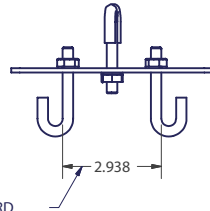
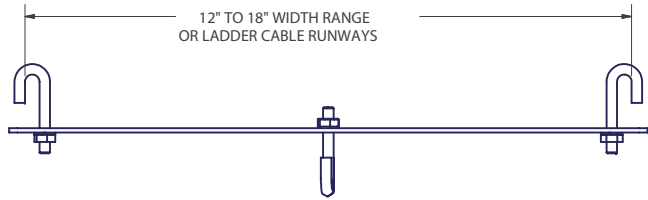
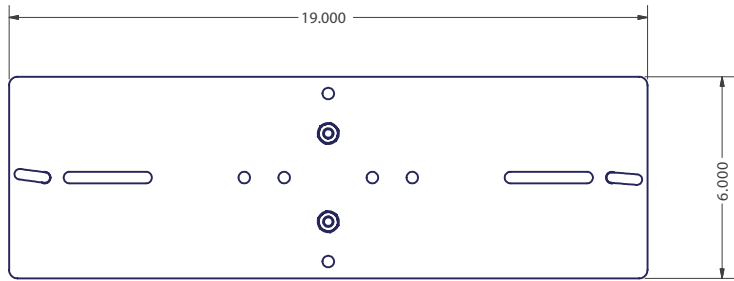
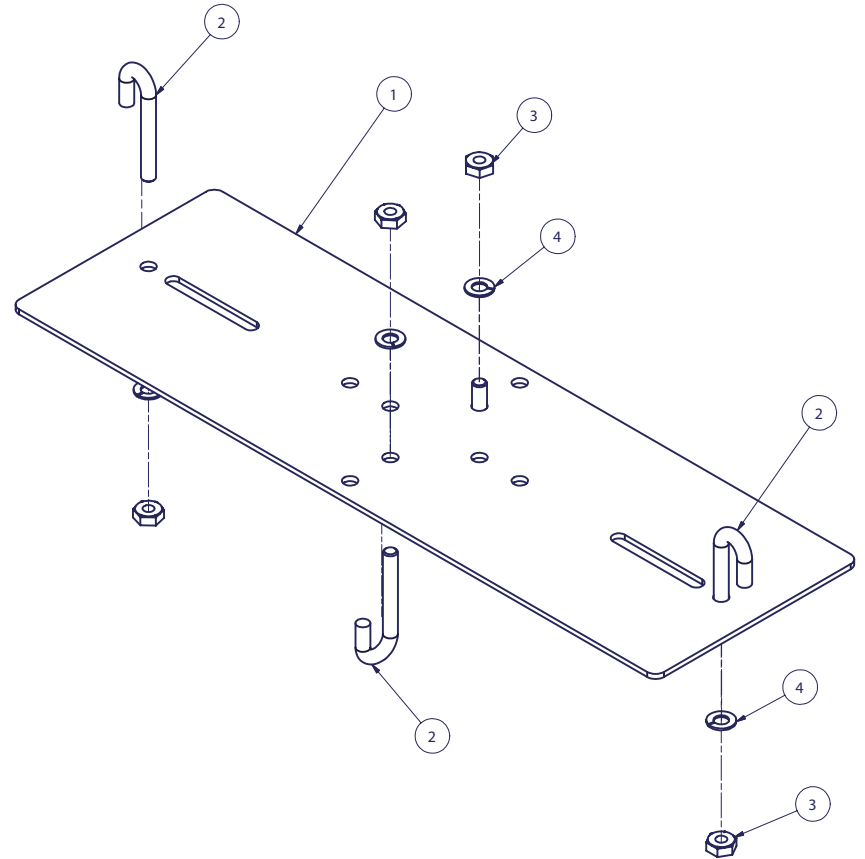
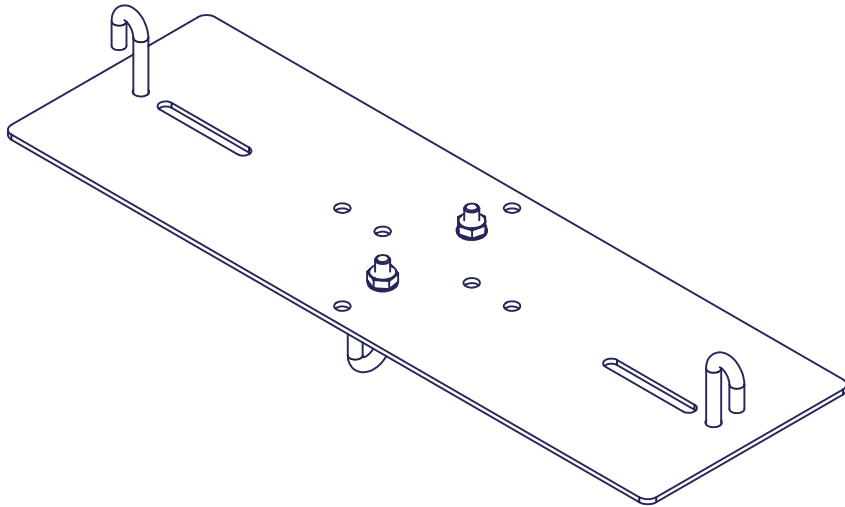


Bill of Material					
ITEM	PART NUMBER	QTY	DESCRIPTION	FILE NAME	REVISION
1	1984LRX100	1	CABLE RUNWAY SUPPORT BRACKET FOR GLRR-1984 OPEN BAY RACK	l001561.ipt	0
2	1984LRJX100	4	LADDER RACK SUPPORT BRACKET "J" BOLT - ZINC PLATED , 5/16"	l001563.ipt	0
3	5/1618HXNUT	4	5/16 - 18 HEX NUT, 3ZN457	516-18HXNUT.ipt	-
4	5/16SPLWSHR	4	WASHER, 5/16" SPLIT LOCK, STEEL	516SPLWSHR.ipt	-



WIDTH TO FIT ONTO STANDARD
TOP ANGLE OF GLRR-1984
OR ANY OTHER 3" DEEP ALUMINUM RACK



INTERPRET DRAWING PER ASME Y14.5M-1994
DIMENSIONAL LIMITS APPLY AFTER APPLICATION OF FINISH
DRAWING NOT TO SCALE
TOLERANCE UNLESS OTHERWISE NOTED:
ANGULAR +/- 1 °
.XXXX +/- .010
.XXX +/- .015
.XX +/- .030
X FOR REF. ONLY
UNLESS OTHERWISE SPECIFIED ALL DIMENSIONS ARE IN INCHES

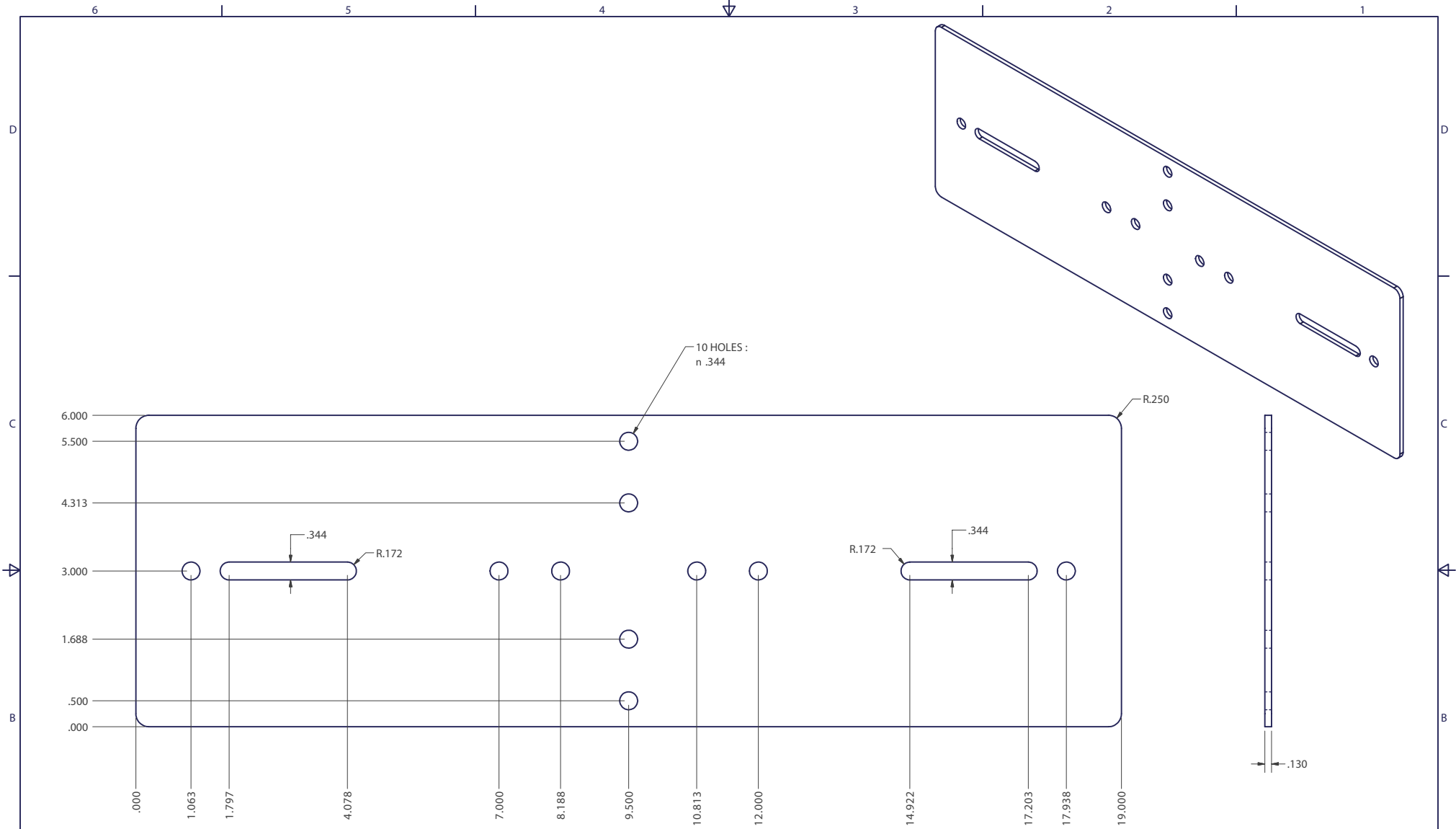
NOTICE:
Use of this document is subject to a confidentiality and nondisclosure agreement with Great Lakes Case & Cabinet Co., Inc. (GLCC) and may not be reproduced, disclosed or utilized in whole or in part without prior written authorization from GLCC.

PART NUMBER: 1984LR
QTY PER UNIT: 1
MATERIAL TYPE: N/A
MATERIAL GAUGE: #10 GA
FINISH: N/A
DRAWN DATE WSS 7/18/2003
CHECKED & APP. DATE WSS 7/18/03

TITLE LADDER RACK SUPPORT BRACKET FOR GLRR-1984 OPEN BAY RACK ASSEMBLY KIT	
GREAT LAKES CASE & CABINET CO., INC. P.O. BOX 551 EDINBORO, PA 16412 PHONE (814) 734-7303 FAX (814) 734-3907 E-MAIL glcc@greatcabinets.com	
DWG NO: 1001562	REV 0
SHEET: 1 OF 1	



THIRD ANGLE
PROJECTION



NOTES:

- 1) FINISH PER GLCC TECH. DOC. #TD-09-103 (POWDER COAT) CLASS B, TEXTURE LEVEL 3 - ALL SURFACES UNLESS OTHERWISE NOTED.
- 2) DIMENSIONS SHOWN ARE PRIOR TO APPLICATION OF FINISH.



THIRD ANGLE PROJECTION
UNLESS OTHERWISE SPECIFIED
ALL DIMENSIONS ARE IN INCHES

NOTICE:
Use of this document is subject to a confidentiality and nondisclosure agreement with Great Lakes Case & Cabinet Co., Inc. (GLCC) and may not be reproduced, disclosed or utilized in whole or in part without prior written authorization from GLCC.

PART NUMBER: 1984LR	
QTY PER UNIT: 1	
MATERIAL TYPE: C.R.S.	
MATERIAL GAUGE: #10 GA.	
FINISH: SEE NOTES	
DRAWN WSS	DATE 7/18/2003
CHECKED & APP. WSS	DATE 7/18/03

TITLE CABLE RUNWAY SUPPORT BRACKET FOR GLRR-1984 OPEN BAY RACK		
GREAT LAKES CASE & CABINET CO., INC. P.O. BOX 551 EDINBORO, PA 16412 PHONE (814) 734-7303 FAX (814) 734-3907 E-MAIL glcc@greatcabinets.com		
DWG NO: 1001561	REV 0	SHEET: 1 OF 1