

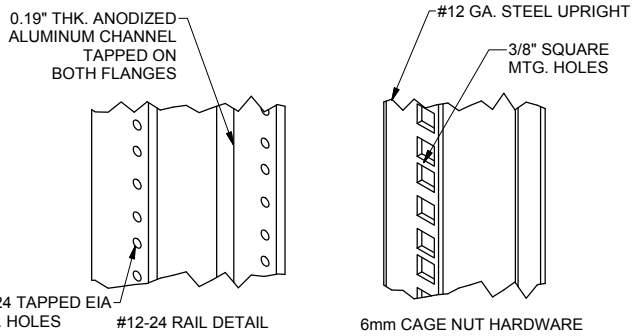


4 Post Racks

CONSTRUCTION:

BOLT TOGETHER CONSTRUCTION, SHIPS FLAT AS KIT
 STEEL COMPONENTS - DURBALE TEXTURE POWDER COAT
 .19" THK ALUMINUM UPRIGHTS - BLACK ANODIZED FINISH (#12-24 THD. ONLY)
 #7 GA. C.R.S. HORIZONTAL FOOT BRACKETS
 #12 GA. C.R.S. TOP AND BOTTOM DEPTH BRACKETS
 #12 GA. C.R.S. HORIZONTAL TOP BRACKETS

PART NUMBER	DEPTH
4P*-24	24.00"
4P*-29	29.00"
4P*-32	32.00"
4P*-36	36.00"



M6 OR #12-24 RAIL OPTIONS

