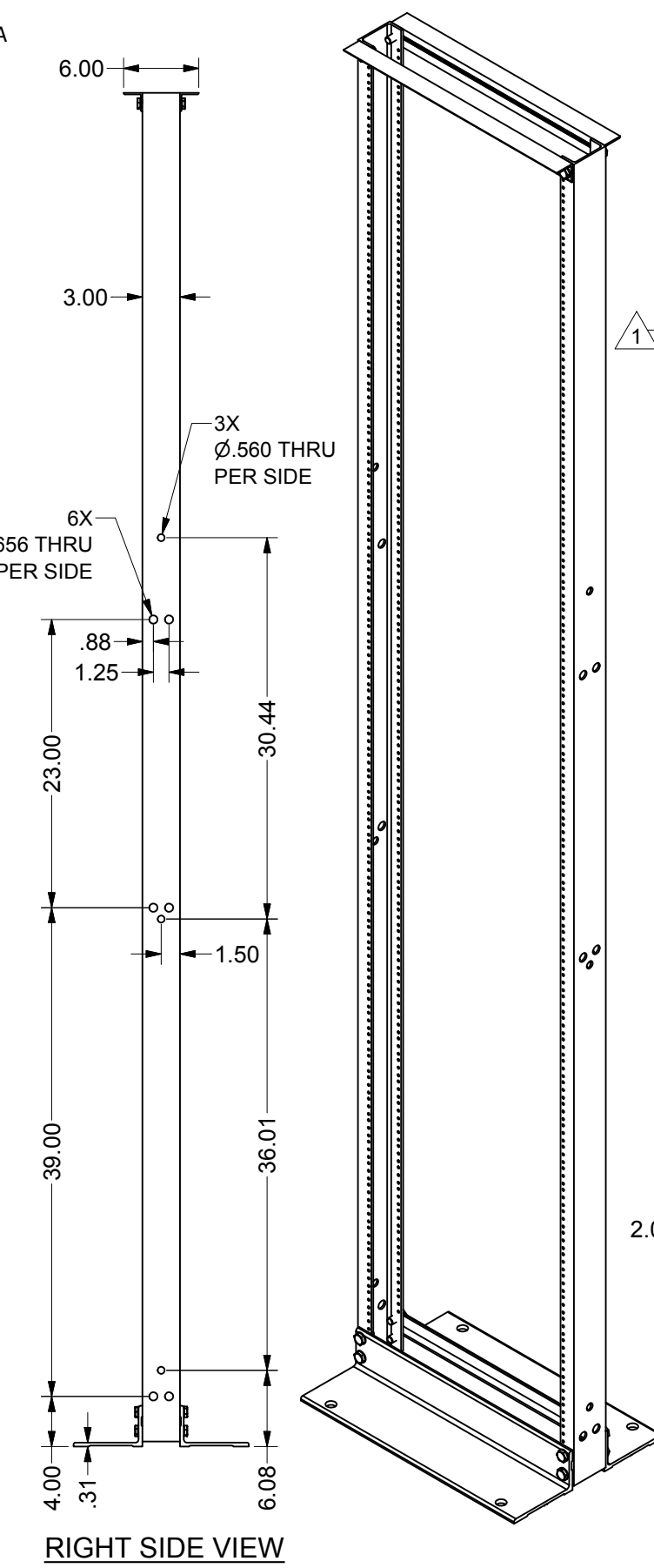
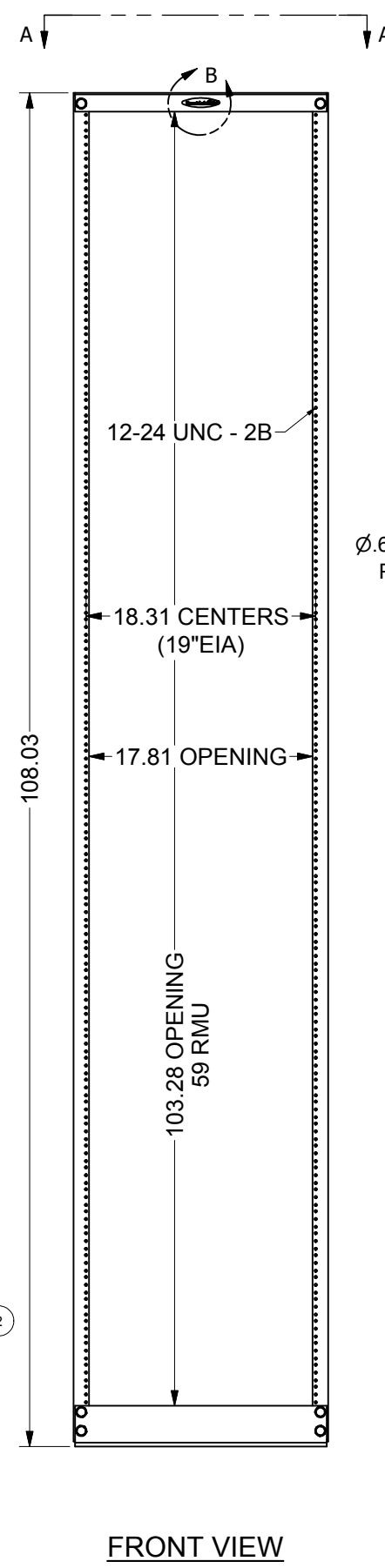
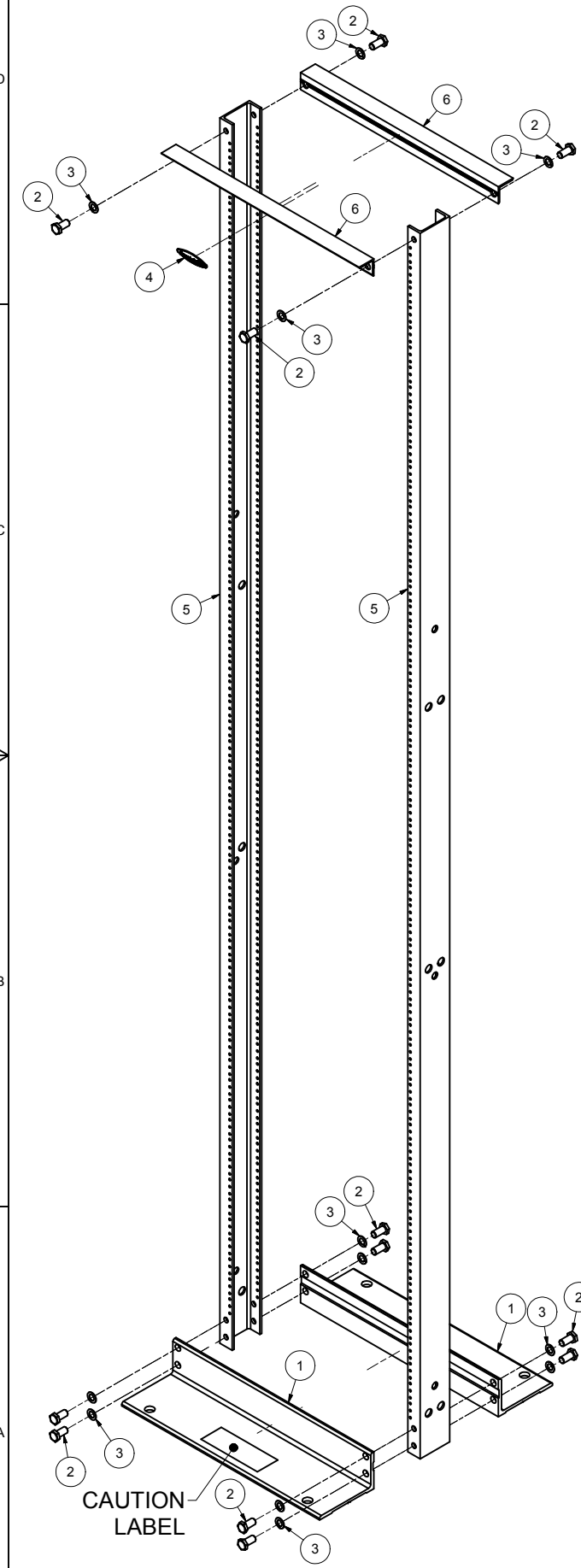


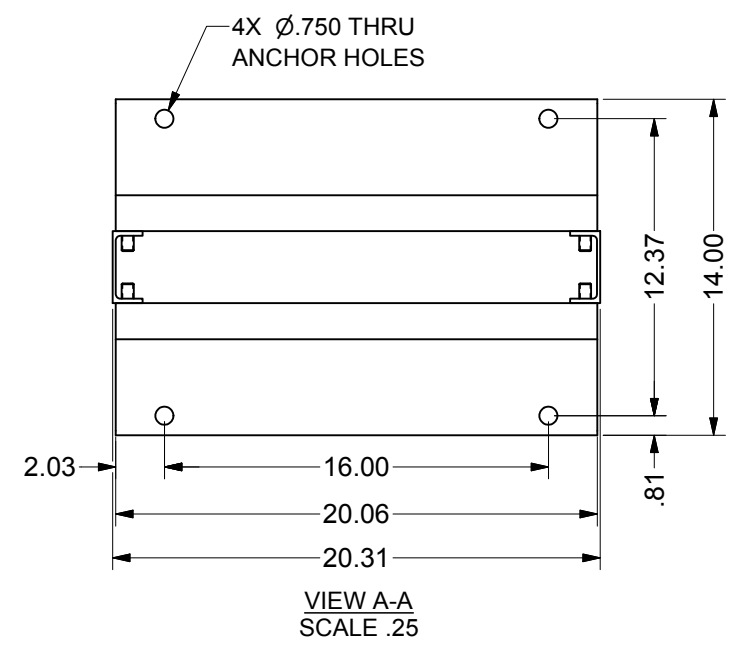
REVISION HISTORY			
REV	DESCRIPTION	DATE	APPROVED
0	ECO-02770	1/28/2010	WSS
1	ECO-03097	1/11/2011	MZ

			Bill of Material		
ITEM	PART NUMBER	QTY	DESCRIPTION	FILE NAME	REVISION
1		2	BASE ANGLE FOR GLRR-1984 RELAY RACK	I002709.ipt	5
2	500-13X1HBB	12	BOLT, 1/2"-13 x 1" HEX HD	500-13X1HBB.ipt	-
3	500SPLWSHR	12	WASHER, 1/2" SPLIT LOCK, STEEL	500SPLWSHR.ipt	-
4	GL-NAMEPLATE	1	GLCC NAME PLATE, AL., 3" x .75" w/ "3MLSE9495" ADHESIVE, LaFrance Corp.	GL-NAMEPLATE.ipt	-
5		2	VERTICAL CHANNEL FOR 108"H TWO POST RACK	I011473.ipt	0
6		2	TOP ANGLE FOR GLRR-1984 RELAY RACK	I002710.ipt	7
7		1	PACKAGING MATERIAL FOR 108"H TWO POST RACK	-	-
8		1	ASSEMBLY INSTRUCTION: FORM #05-10	-	-
9	12/24X1/223SC	50	#12-24 x 1/2"L PAN HD PHIL TYPE 23 ZN PL SCREW	-	-



<b>GLCC PART NO:</b>	<b>FINISH</b>
<b>GLRR19108BAX200</b>	<b>BLACK ANODIZED</b>
<b>GLRR19108AEX200</b>	<b>ACID ETCHED &amp; ANODIZED</b>

- SPECIAL NOTES:**
- ATTACH CAUTION LABEL ON ONE OF THE BASE ANGLES - CENTERED. THE LABEL SHOULD STATE: "CAUTION - RACK MUST BE FIRMLY ANCHORED TO FLOOR. CONCRETE FLOOR SURFACE RECOMMENDED."
  - TWO POST RACK TO BE SHIPPED UNASSEMBLED.
  - SHIPPING BOX TO CONTAIN ONE PACK OF (50) #12-24 x 1/2"L MOUNTING SCREWS AND AN ASSEMBLY INSTRUCTION.



**DETAIL B**  
INSTALL ITEM #4 AS SHOWN.  
ONE LABEL CENTERED  
ON ONE OF TOP ANGLES.

INTERPRET DRAWING PER ASME Y14.5M-1994  
DIMENSIONAL LIMITS APPLY  
AFTER APPLICATION OF FINISH  
DRAWING NOT TO SCALE  
TOLERANCE UNLESS OTHERWISE NOTED:  
ANGULAR +/- .1°  
.XXXX +/- .010  
.XXX +/- .015  
.XX +/- .030  
.X FOR REF. ONLY  
UNLESS OTHERWISE SPECIFIED  
ALL DIMENSIONS ARE IN INCHES

**NOTICE:**  
Use of this document is subject to a confidentiality and nondisclosure agreement with Great Lakes Case & Cabinet Co., Inc. (GLCC) and may not be reproduced, disclosed or utilized in whole or in part without prior written authorization from GLCC.

PART NUMBER: <b>GLRR19108 (SEE TABLE)</b>	TITLE: <b>19"EIA ALUMINUM TWO POST RACK, 108"H</b>
QTY PER UNIT: 1	GREAT LAKES CASE & CABINET CO., INC. P.O. BOX 551 EDINBORO, PA 16412 PHONE (814) 734-7303 FAX (814) 734-3907 E-MAIL glcc@greatcabinets.com
MATERIAL TYPE: -	
MATERIAL GAUGE: -	
FINISH: SEE NOTES	
DRAWN: JAL	DATE: 12/9/2004
CHECKED & APP. WSS	DATE: 1/28/2010
DWG NO: <b>I011471</b>	REV: <b>1</b>
SHEET: 1 OF 1	