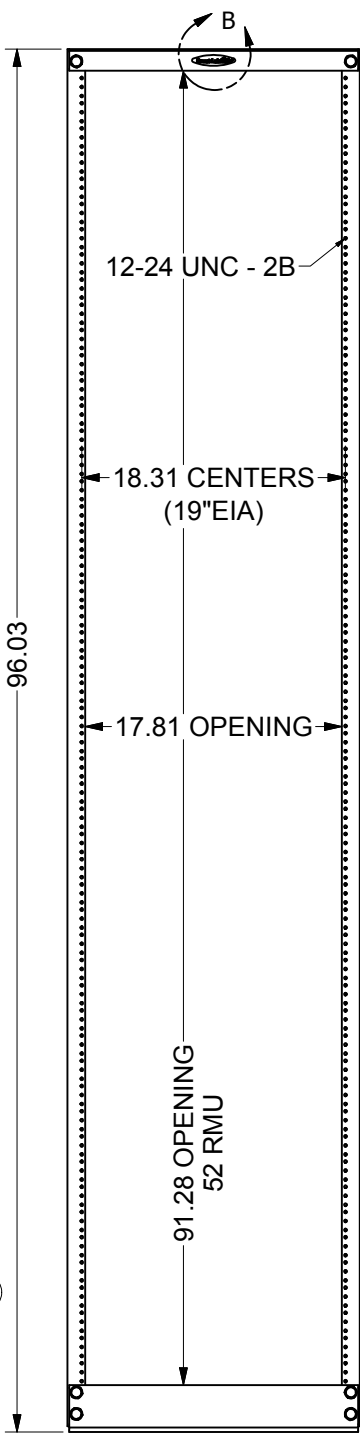
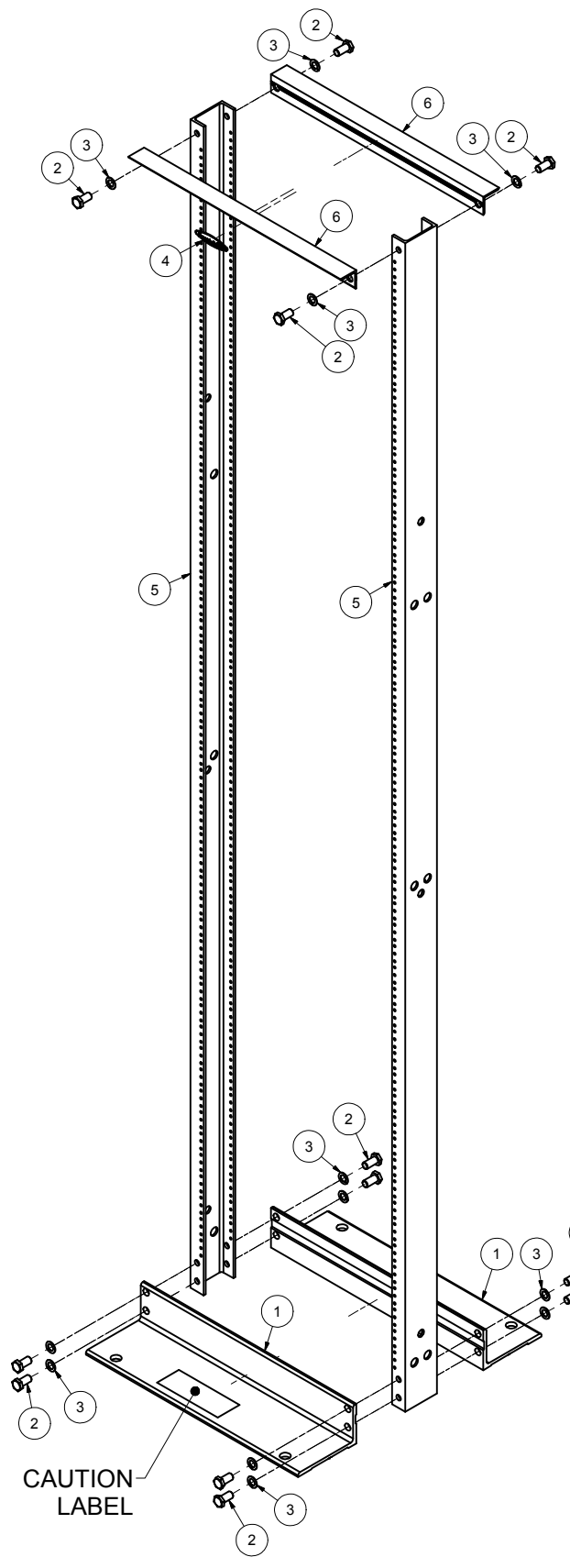
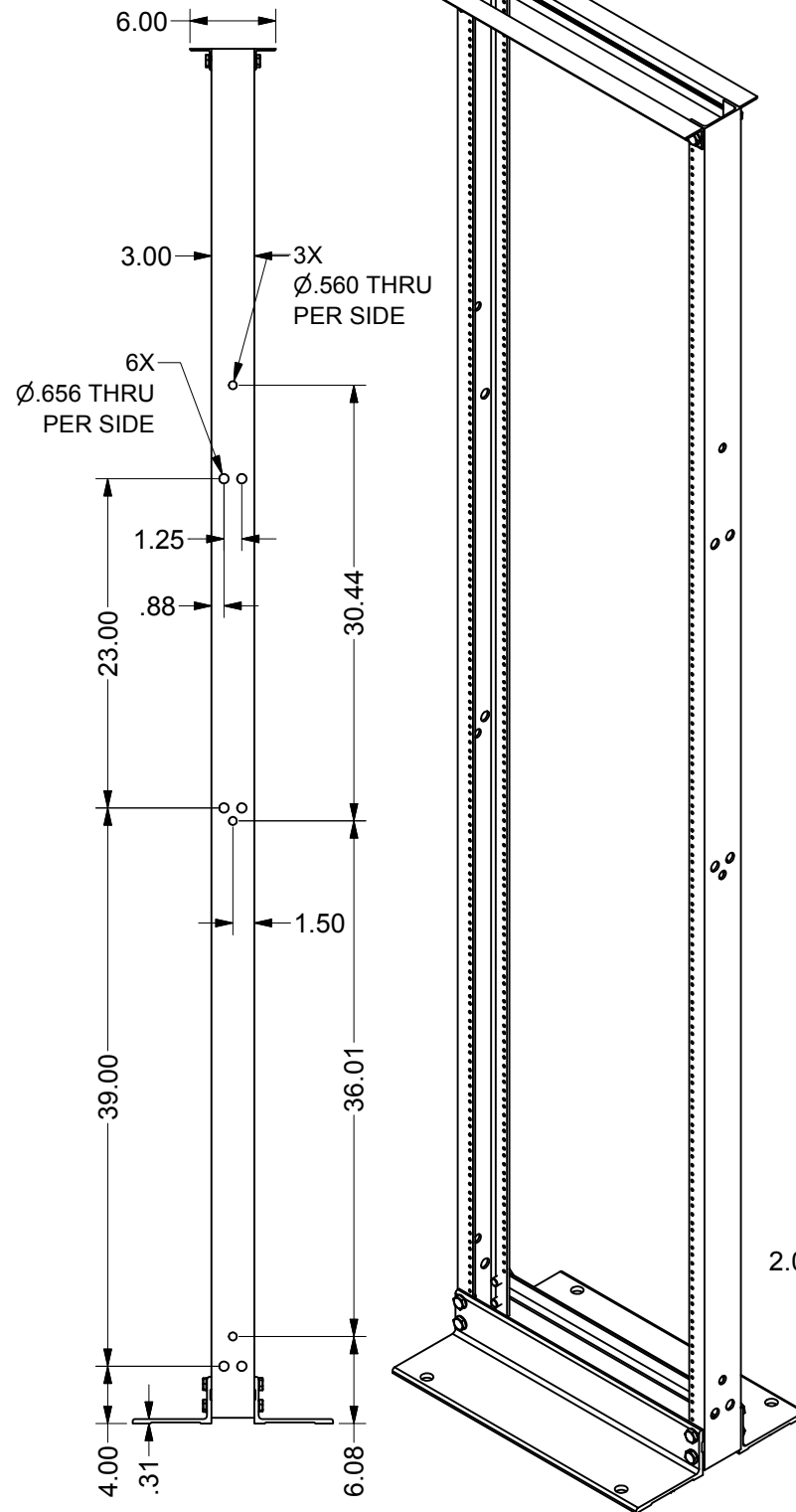


REVISION HISTORY			
REV	DESCRIPTION	DATE	APPROVED
0	ECO-03097	1/11/2011	MZ

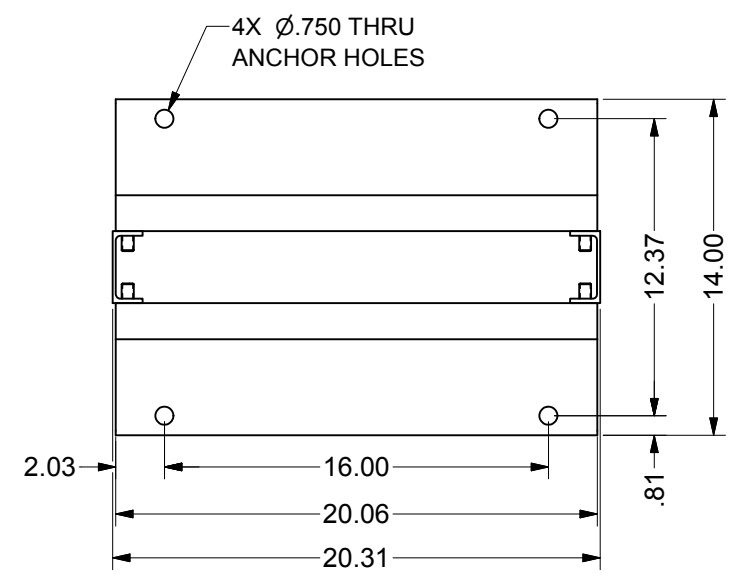
Bill of Material						
ITEM	PART NUMBER	STOCK NUMBER	QTY	DESCRIPTION	FILE NAME	REVISION
1			2	BASE ANGLE FOR GLRR-1984 RELAY RACK	I002709.ipt	5
2	500-13X1HHB		12	BOLT, 1/2"-13 x 1" HEX HD	500-13X1HHB.ipt	-
3	500SPLWSHR		12	WASHER, 1/2" SPLIT LOCK, STEEL	500SPLWSHR.ipt	-
4	GL-NAMEPLATE		1	GLCC NAME PLATE, AL., 3" x .75" w/ "3MLSE9495" ADHESIVE, LaFrance Corp.	GL-NAMEPLATE.ipt	-
5			2	VERTICAL CHANNEL FOR 96"H TWO POST RACK	I013259.ipt	0
6			2	TOP ANGLE FOR GLRR-1984 RELAY RACK	I002710.ipt	7
7			1	PACKAGING MATERIAL FOR 108"H TWO POST RACK	-	-
8			1	ASSEMBLY INSTRUCTION: FORM #05-10	-	-
9	12/24X1/223SC		50	#12-24 x 1/2"L PAN HD PHIL TYPE 23 ZN PL SCREW	-	-



FRONT VIEW



RIGHT SIDE VIEW



VIEW A-A  
SCALE .25

<b>GLCC PART NO:</b>	<b>FINISH</b>
<b>GLRR1996BAX200</b>	<b>BLACK ANODIZED</b>
<b>GLRR1996AEX200</b>	<b>ACID ETCHED &amp; ANODIZED</b>

- SPECIAL NOTES:**
- ATTACH CAUTION LABEL ON ONE OF THE BASE ANGLES - CENTERED. THE LABEL SHOULD STATE: "CAUTION - RACK MUST BE FIRMLY ANCHORED TO FLOOR. CONCRETE FLOOR SURFACE RECOMMENDED."
  - TWO POST RACK TO BE SHIPPED UNASSEMBLED.
  - SHIPPING BOX TO CONTAIN ONE PACK OF (50) #12-24 x 1/2"L MOUNTING SCREWS AND AN ASSEMBLY INSTRUCTION.



**DETAIL B**  
INSTALL ITEM #4 AS SHOWN.  
ONE LABEL CENTERED  
ON ONE OF TOP ANGLES.

INTERPRET DRAWING PER ASME Y14.5M-1994  
DIMENSIONAL LIMITS APPLY  
AFTER APPLICATION OF FINISH  
DRAWING NOT TO SCALE  
TOLERANCE UNLESS OTHERWISE NOTED:  
ANGULAR +/- .1°  
.XXXX +/- .010  
.XXX +/- .015  
.XX +/- .030  
.X FOR REF. ONLY  
UNLESS OTHERWISE SPECIFIED  
ALL DIMENSIONS ARE IN INCHES

**NOTICE:**  
Use of this document is subject to a confidentiality and nondisclosure agreement with Great Lakes Case & Cabinet Co., Inc. (GLCC) and may not be reproduced, disclosed or utilized in whole or in part without prior written authorization from GLCC.

PART NUMBER: **SEE NOTES**  
QTY PER UNIT: 1  
MATERIAL TYPE:  
MATERIAL GAUGE:  
FINISH: **SEE NOTES**  
DRAWN: MZ  
CHECKED & APP. WSS  
DATE: 1/11/2011

TITLE: **2 POST RACK, 96"H x 20.31"W x 14"D, WT. CAP. 750LBS, 52RMU**  
GREAT LAKES CASE & CABINET CO., INC.  
P.O. BOX 551 EDINBORO, PA 16412  
PHONE (814) 734-7303 FAX (814) 734-3907  
E-MAIL glcc@greatcabinets.com  
DWG NO: **I013258**  
REV: **0**  
SHEET: 1 OF 1