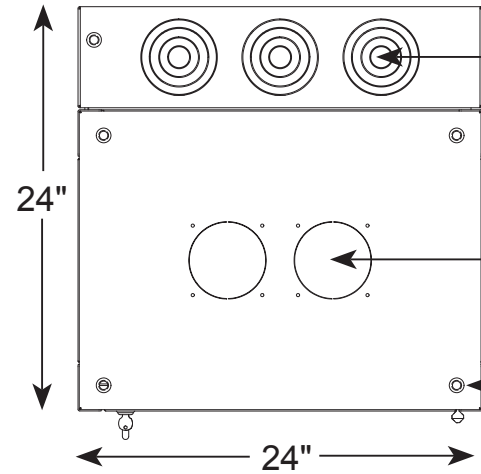




WS Wall Mount Series

Part No.	H	W	D
GL24WS	24.00"	24.00"	24.00"
GL36WS	36.00"	24.00"	24.00"
GL48WS	48.00"	24.00"	24.00"



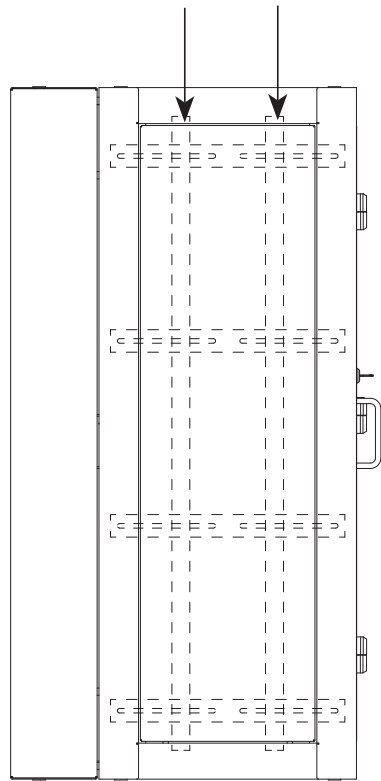
1", 2", 3" and 4" nominal concentric conduit knockouts

Fan assembly provisions

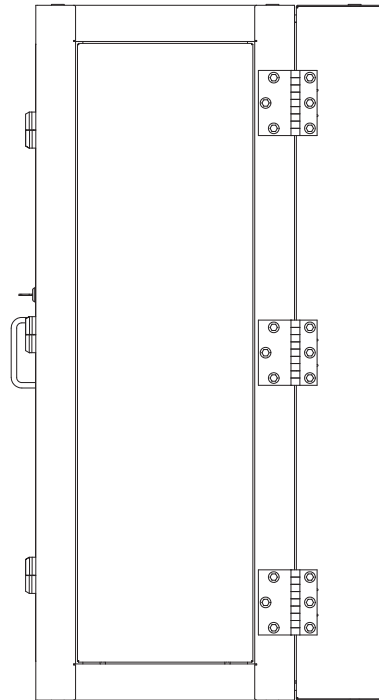
Optional caster mounting holes

Mounting holes for 1/4" hardware, 16.00" centers

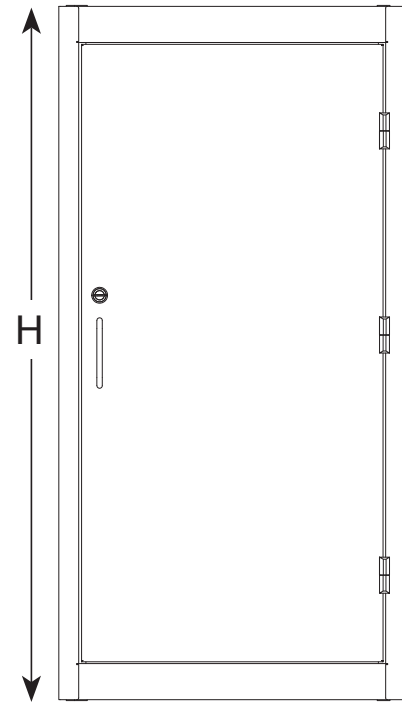
Two pair 19" EIA rails provided with each enclosure



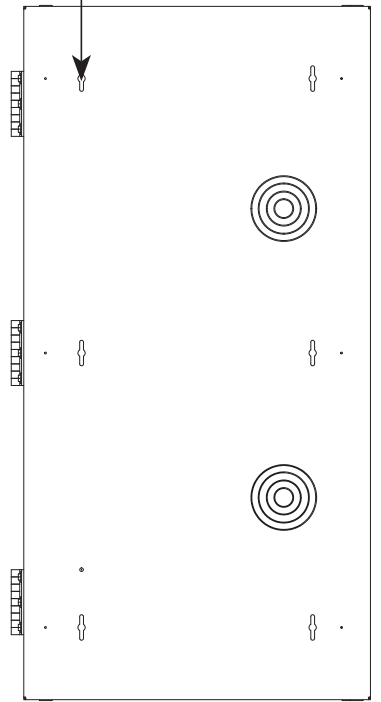
Side View



Side View



Front View



Rear View