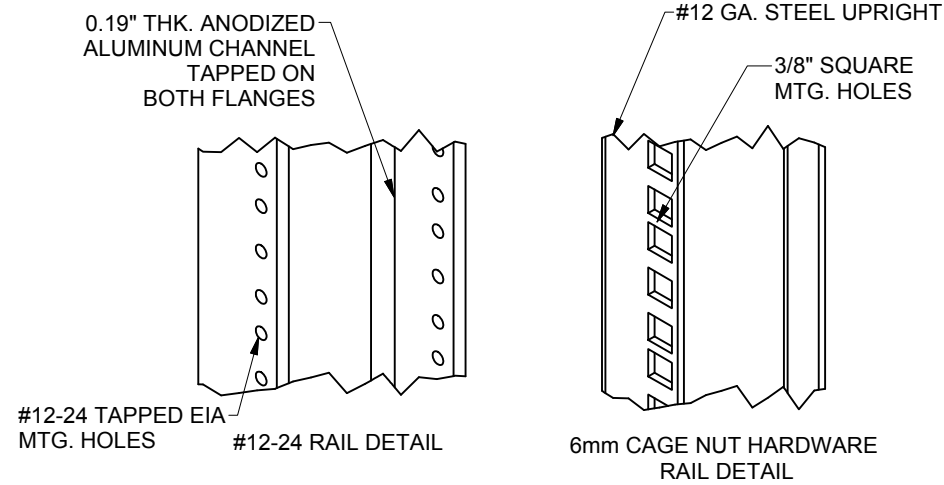


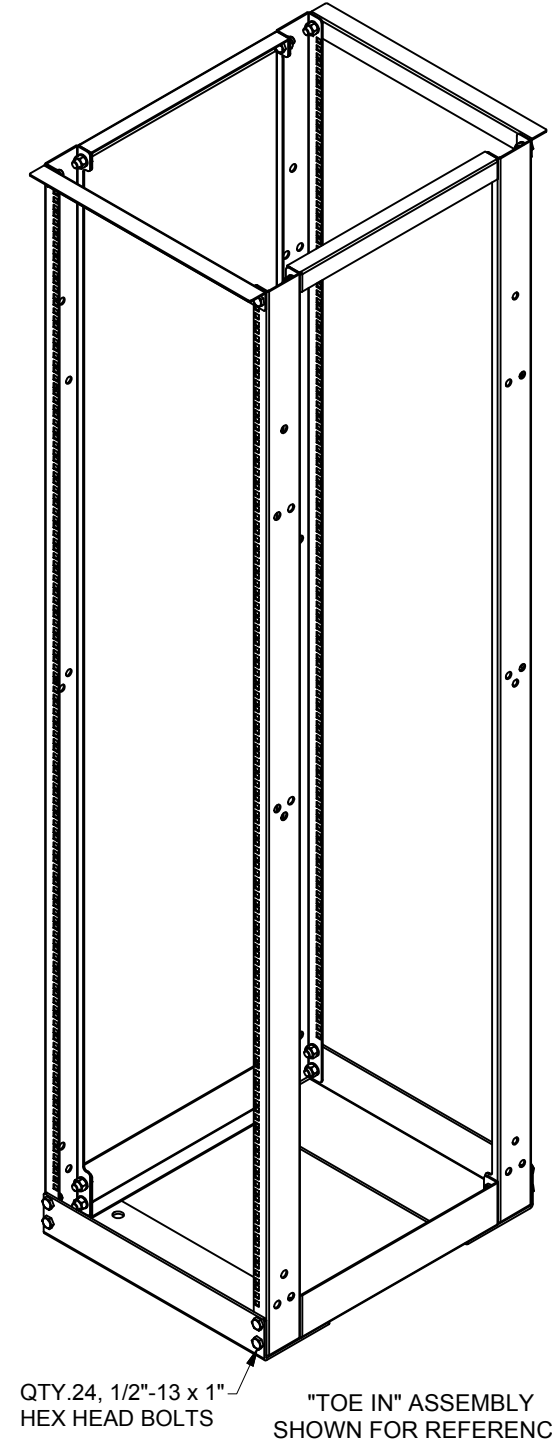
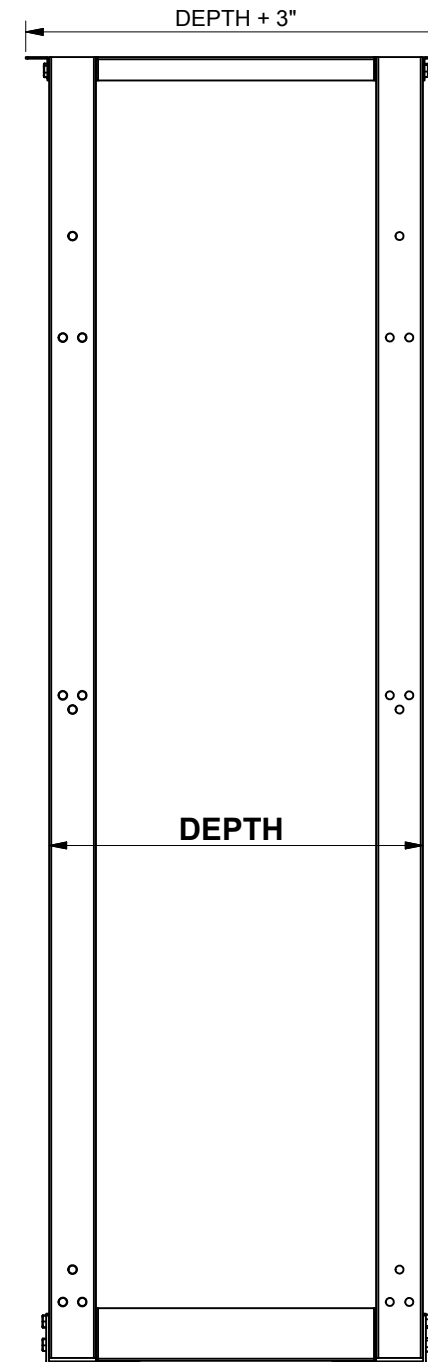
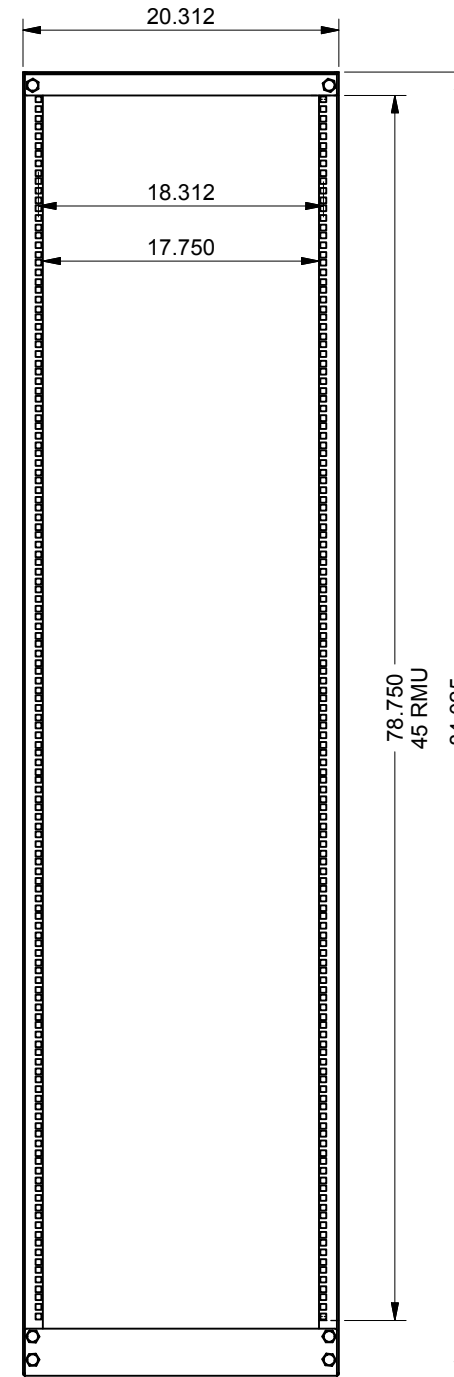
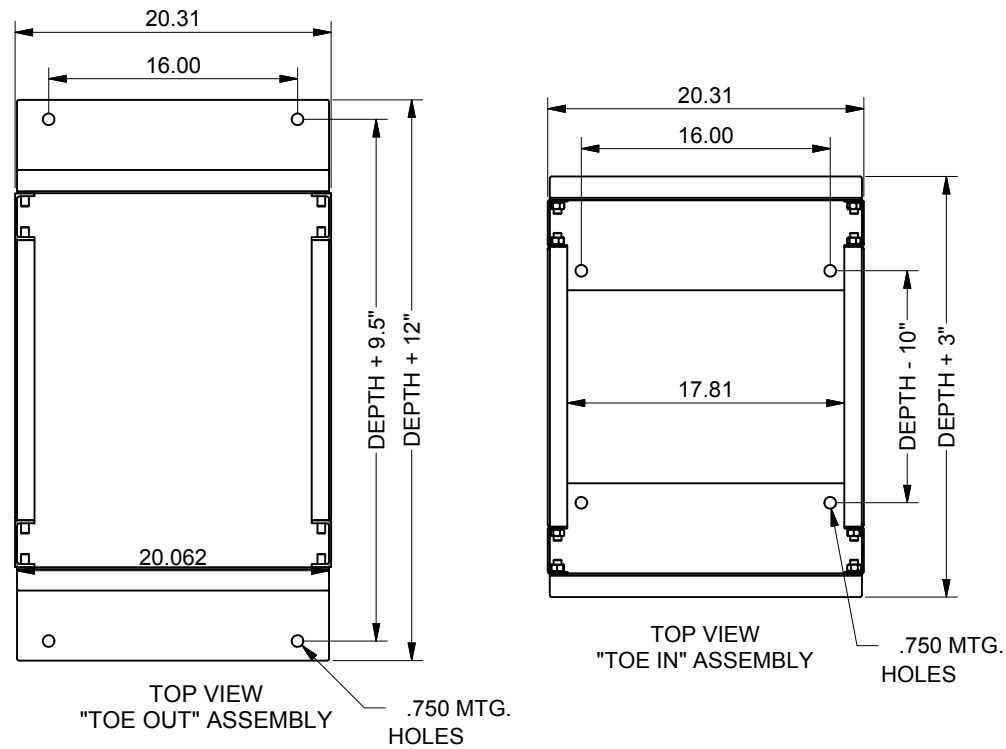
CONSTRUCTION:

BOLT TOGETHER CONSTRUCTION, SHIPS FLAT AS KIT
 STEEL COMPONENTS - DURBALE TEXTURE POWDER COAT
 .19" THK ALUMINUM UPRIGHTS - BLACK ANODIZED FINISH (#12-24 THD. ONLY)
 #7 GA. C.R.S. HORIZONTAL FOOT BRACKETS
 #12 GA. C.R.S. TOP AND BOTTOM DEPTH BRACKETS
 #12 GA. C.R.S. HORIZONTAL TOP BRACKETS

PART NUMBER	DEPTH
4P*-24	24.00"
4P*-29	29.00"
4P*-32	32.00"
4P*-36	36.00"



M6 OR #12-24 RAIL OPTIONS



INTERPRET DRAWING PER ASME Y14.5M-1994
 DIMENSIONAL LIMITS APPLY
 AFTER APPLICATION OF FINISH
 DRAWING NOT TO SCALE
 TOLERANCE UNLESS OTHERWISE NOTED:
 ANGULAR +/- 1
 .XXXX +/- .010
 .XXX +/- .015
 .XX +/- .030
 .X FOR REF. ONLY
 UNLESS OTHERWISE SPECIFIED
 ALL DIMENSIONS ARE IN INCHES

NOTICE:

Use of this document is subject to a confidentiality and nondisclosure agreement with Great Lakes Case & Cabinet Co., Inc. (GLCC) and may not be reproduced, disclosed or utilized in whole or in part without prior written authorization from GLCC.

PART NUMBER:
 QTY PER UNIT: 1
 MATERIAL TYPE:
 MATERIAL GAUGE:
 FINISH: SEE NOTES
 DRAWN DATE: 1/11/2011
 MZ 1/11/2011
 CHECKED & APP. DATE: 1/11/2011
 WSS

TITLE: **FOUR POST RACK**
 GREAT LAKES CASE & CABINET CO., INC.
 P.O. BOX 551 EDINBORO, PA 16412
 PHONE (814) 734-7303 FAX (814) 734-3907
 E-MAIL glcc@greatcabinets.com
 DWG NO: REV: 0 SHEET: 1 OF 1

