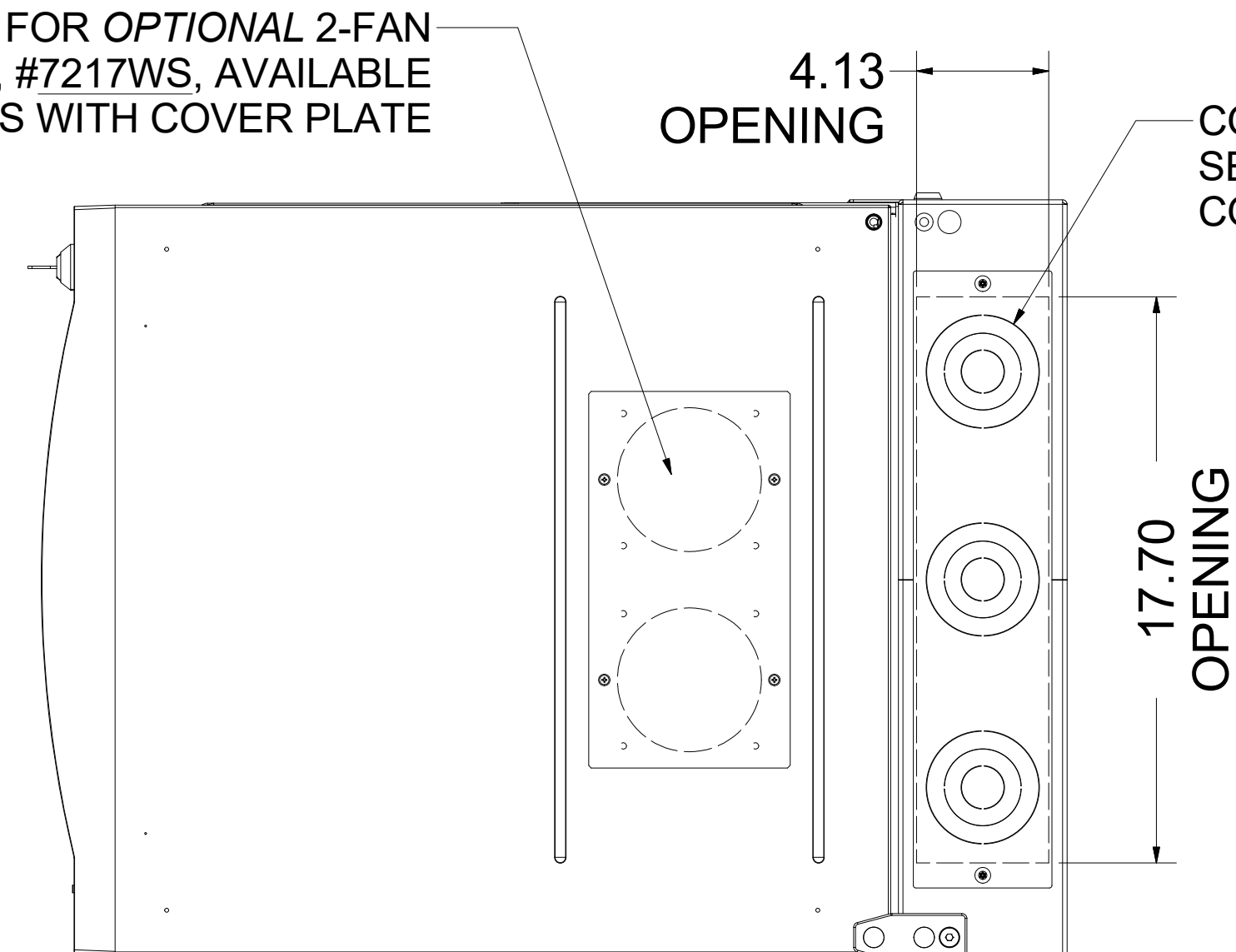


ISO VIEW OPENED

PROVISION FOR *OPTIONAL* 2-FAN 150CFM UNIT, #7217WS, AVAILABLE FOR TOP, SHIPS WITH COVER PLATE

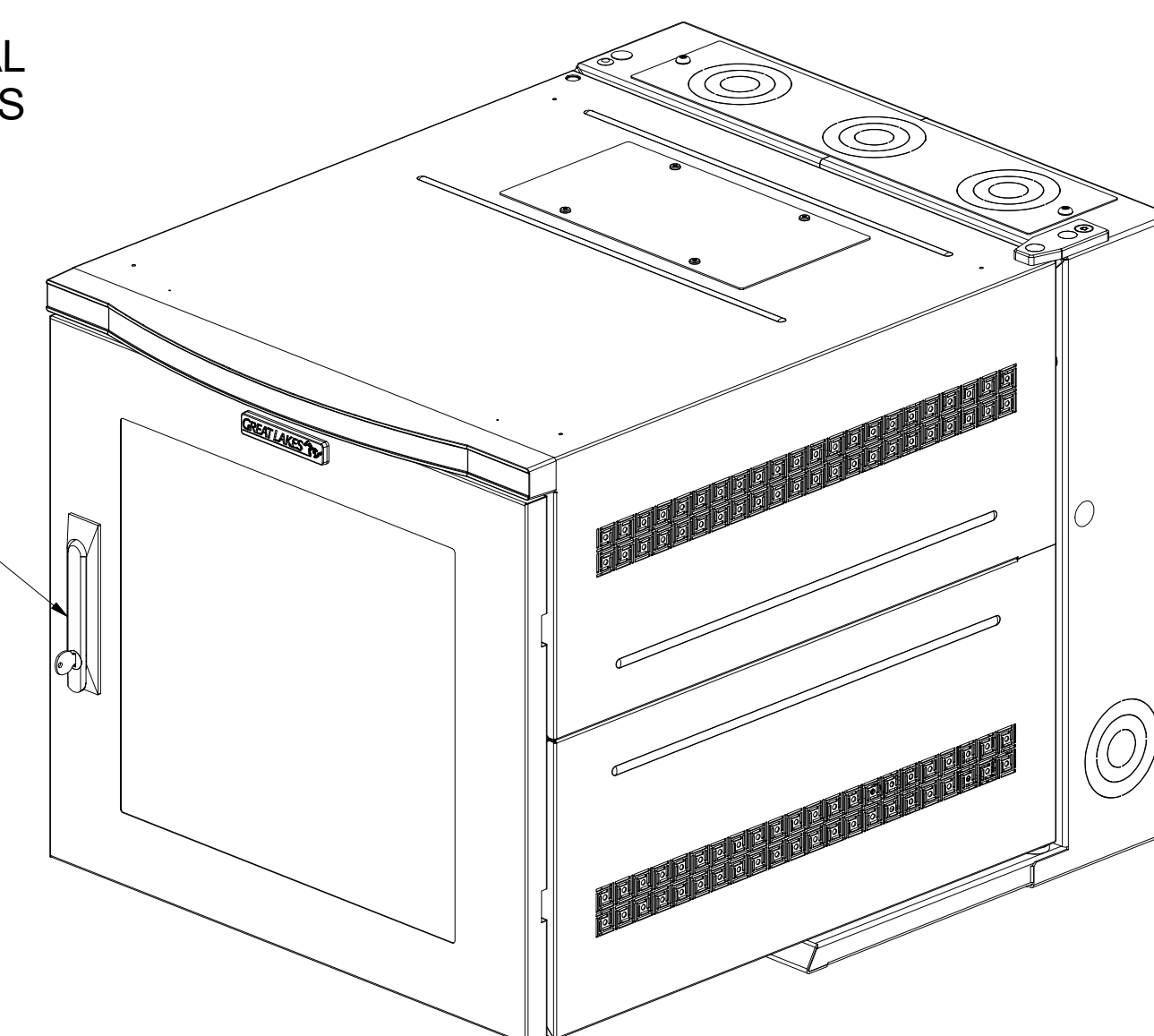
OPTIONAL FRONT DOOR INSERTS  
SOLID STEEL PANEL - 24WDX03  
PERFORATED STEEL PANEL - MESH24WS  
PLEXI PANEL - PLEX24WS



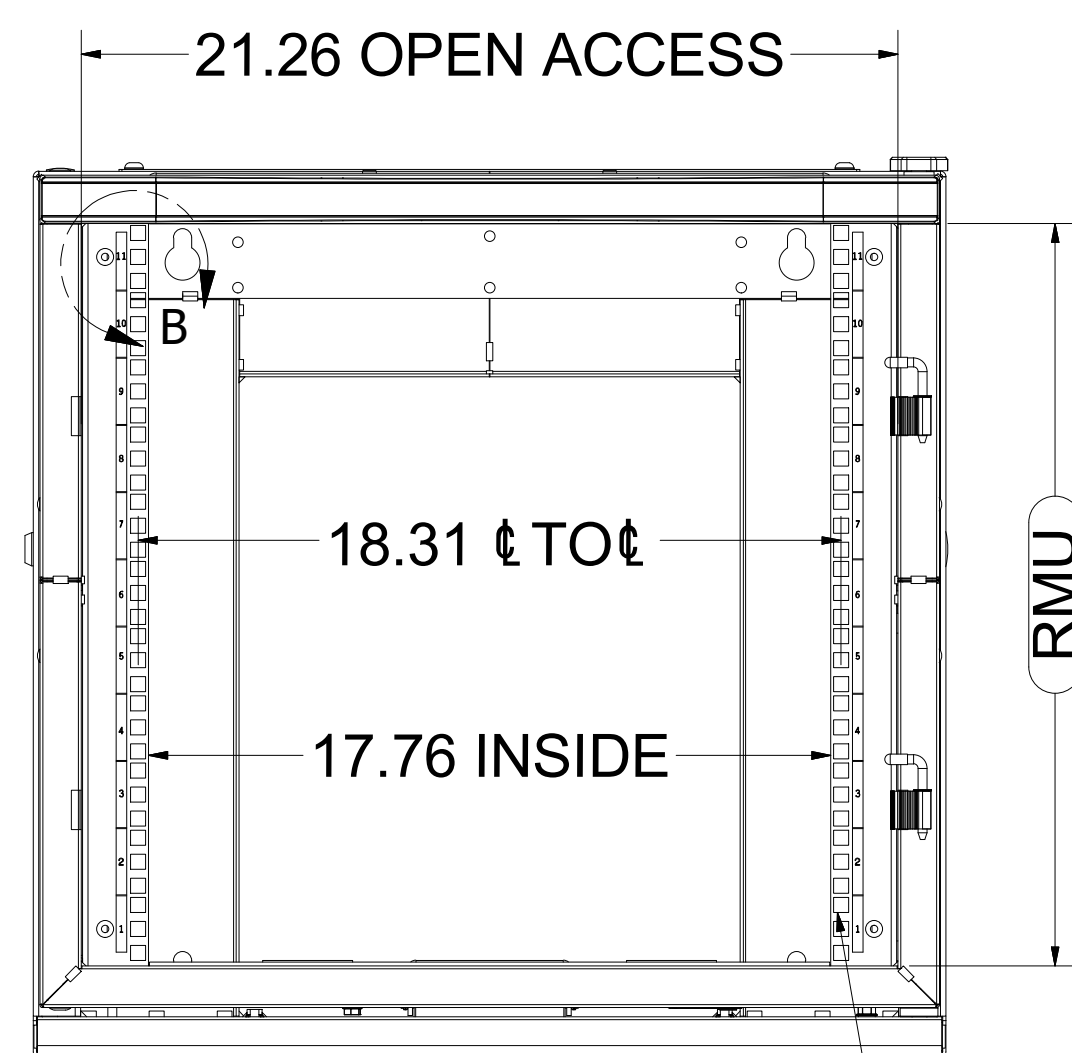
TOP VIEW

COVER PLATE TOP OF REAR SECTION HAS 1", 2", AND 3" NOMINAL CONCENTRIC CONDUIT KNOCKOUTS

SWING HANDLE LOCKING, KEYED 1333  
OPTIONAL HANDLES AVAILABLE

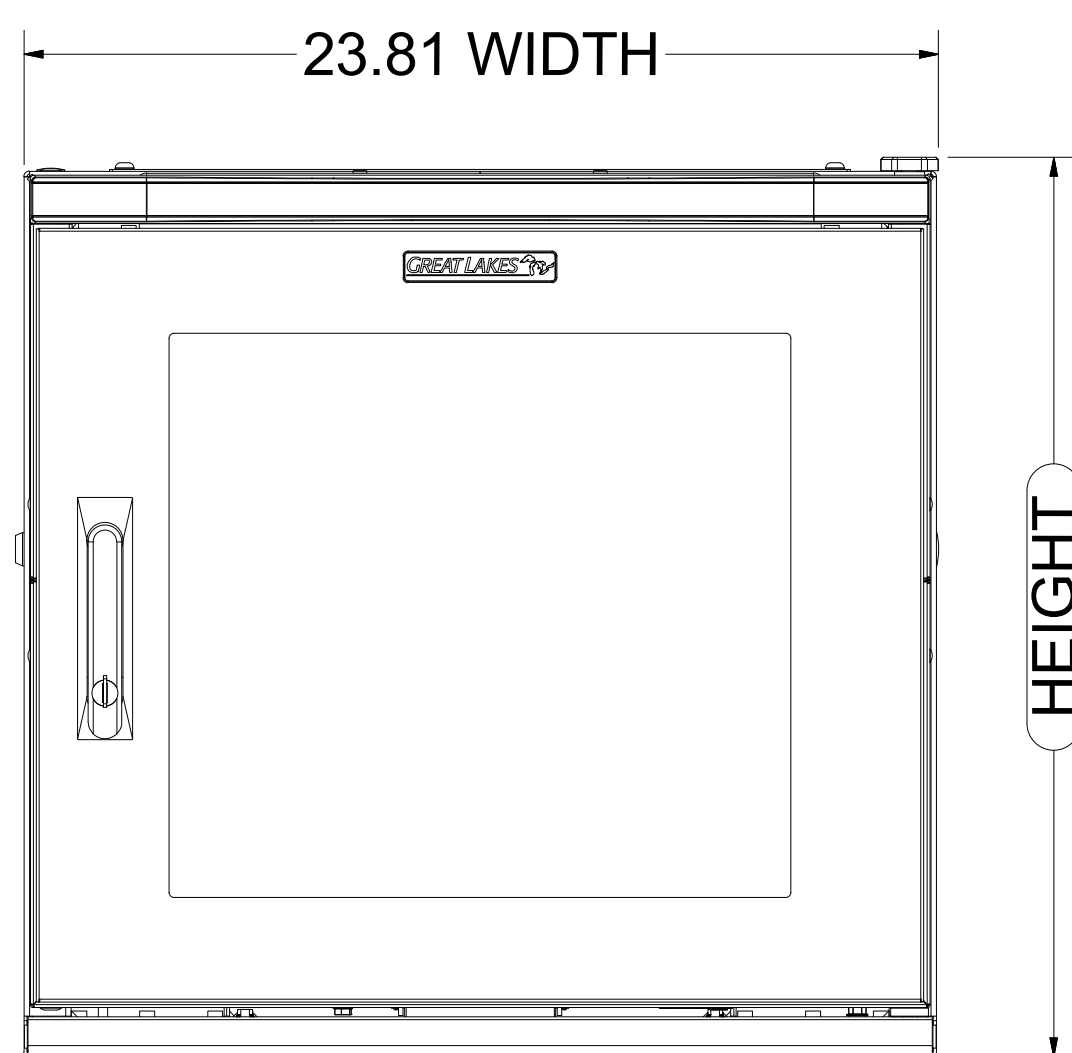


ISO VIEW CLOSED

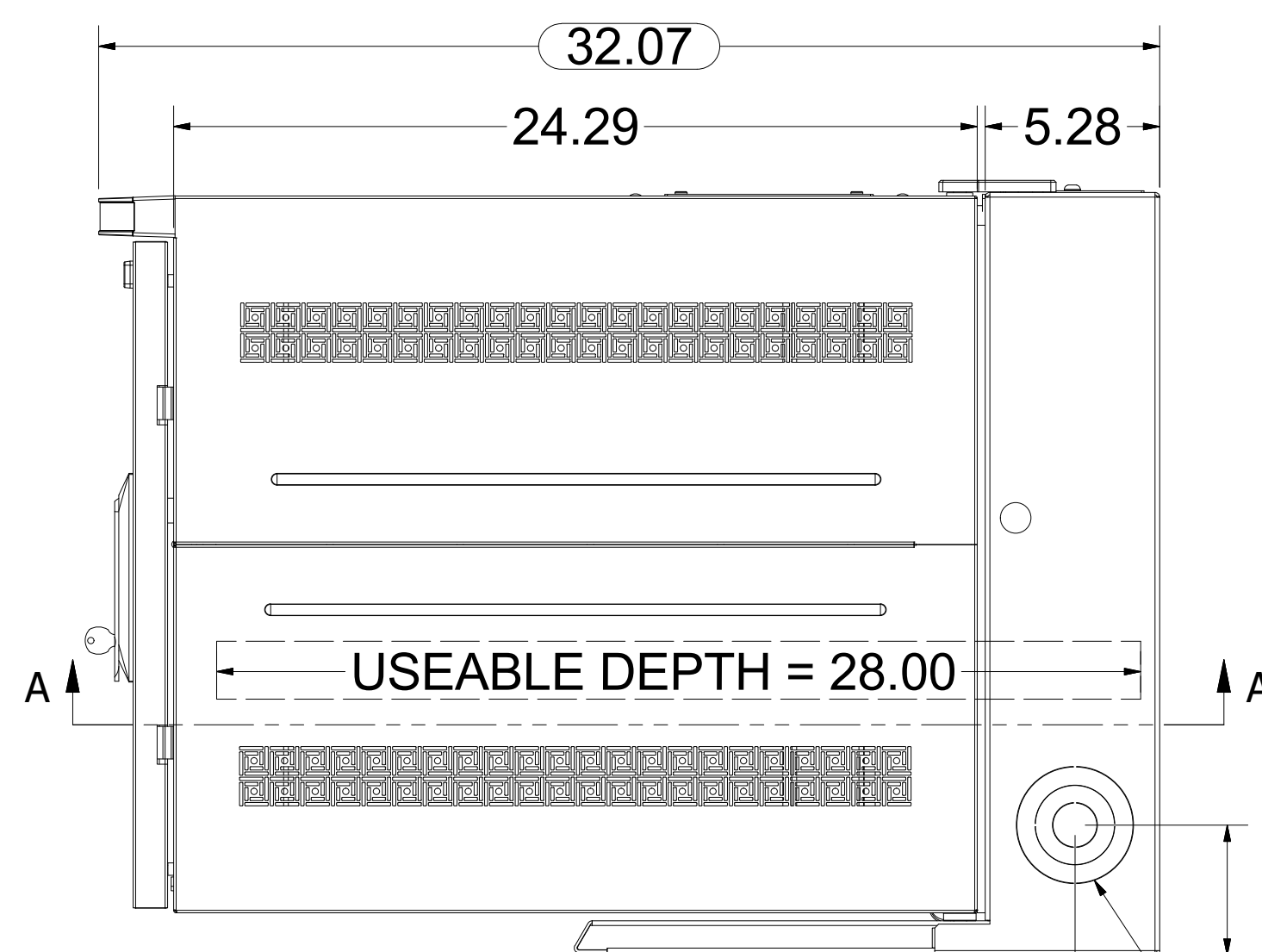


FRONT VIEW (WITHOUT DOOR)

3/8" EQUIP. MTG HOLES WITH M6 HARDWARE

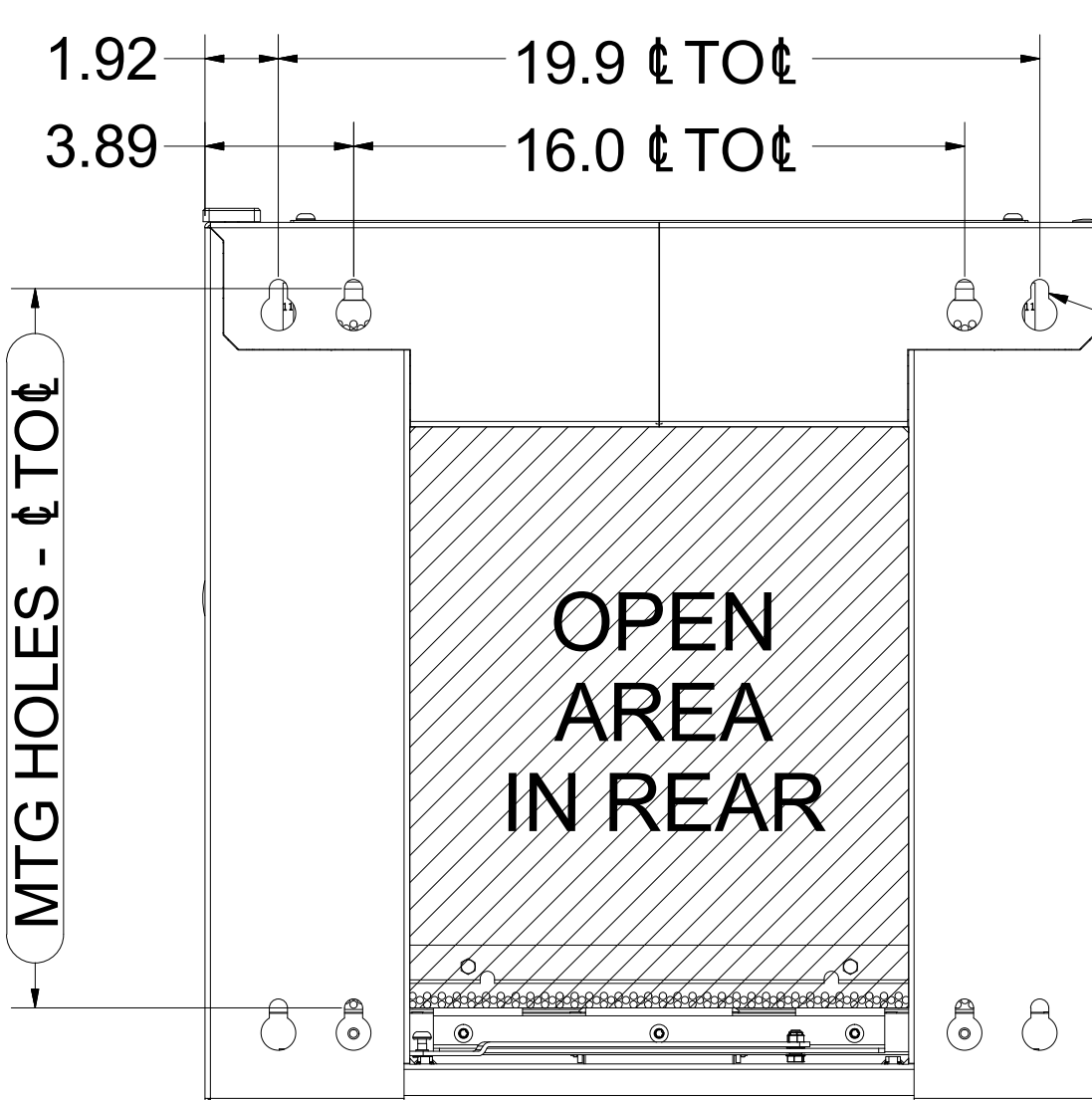


FRONT VIEW (WITH DOOR)



RIGHT SIDE VIEW

USEABLE DEPTH = 28.00



BACK VIEW

MTG HOLES FOR 3/8" HARDWARE

INDEPENDENT LOCKING CENTER SECTION & ACCESS TO REAR RAILS QUARTER TURN LOCK KEYED 1333

OPEN AREA IN REAR

1", 2", AND 3" NOMINAL CONCENTRIC CONDUIT KNOCKOUTS IN BOTTOM OF REAR SECTION ON BOTH SIDES

**SPECIFICATIONS: WDX WALL MOUNT**

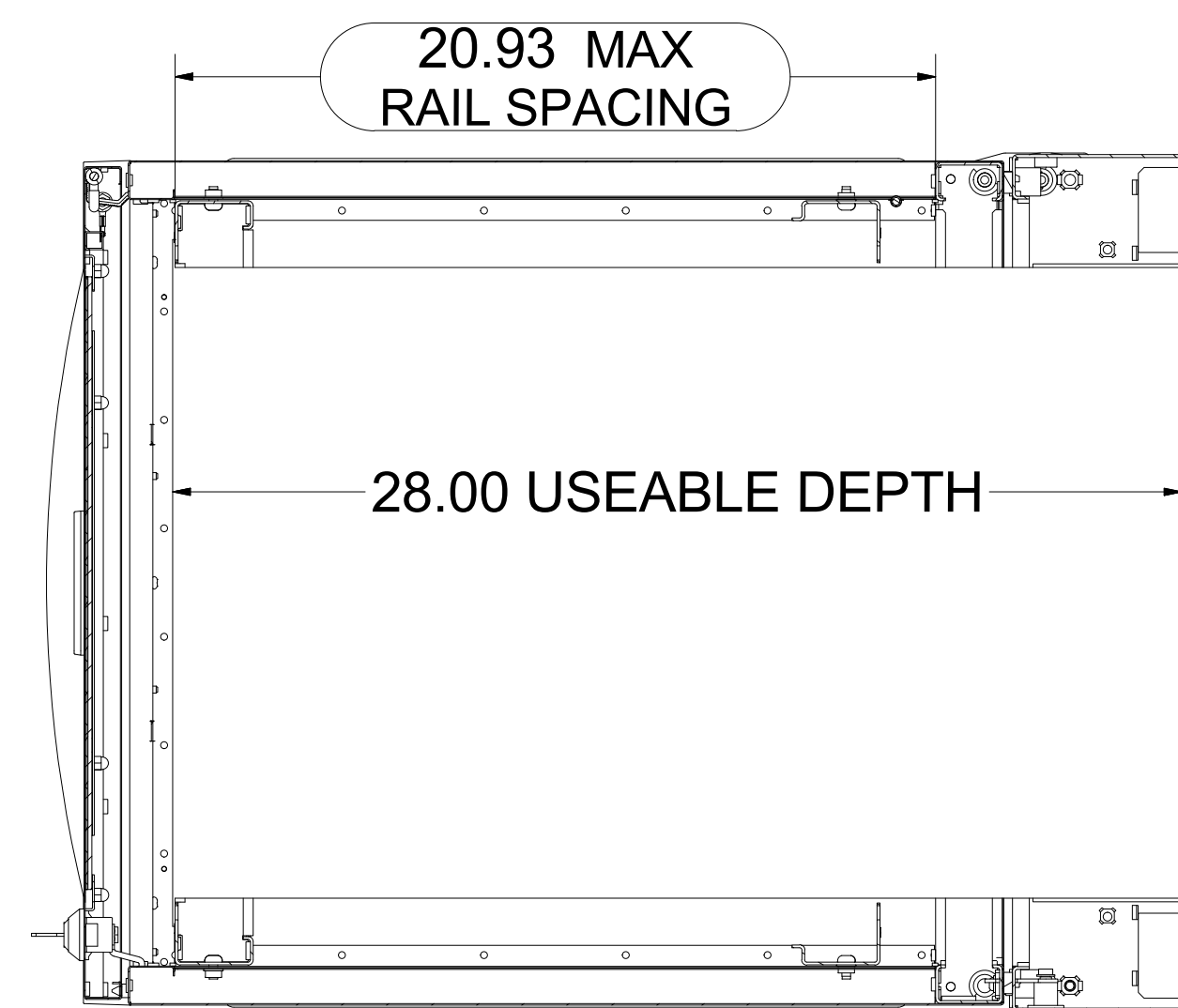
**RACK SPACES:** 19" EIA 310-E COMPLIANT - SEE CHART FOR RMU

**COLOR:** DURABLE BLACK TEXTURED POWDER COAT FINISH.

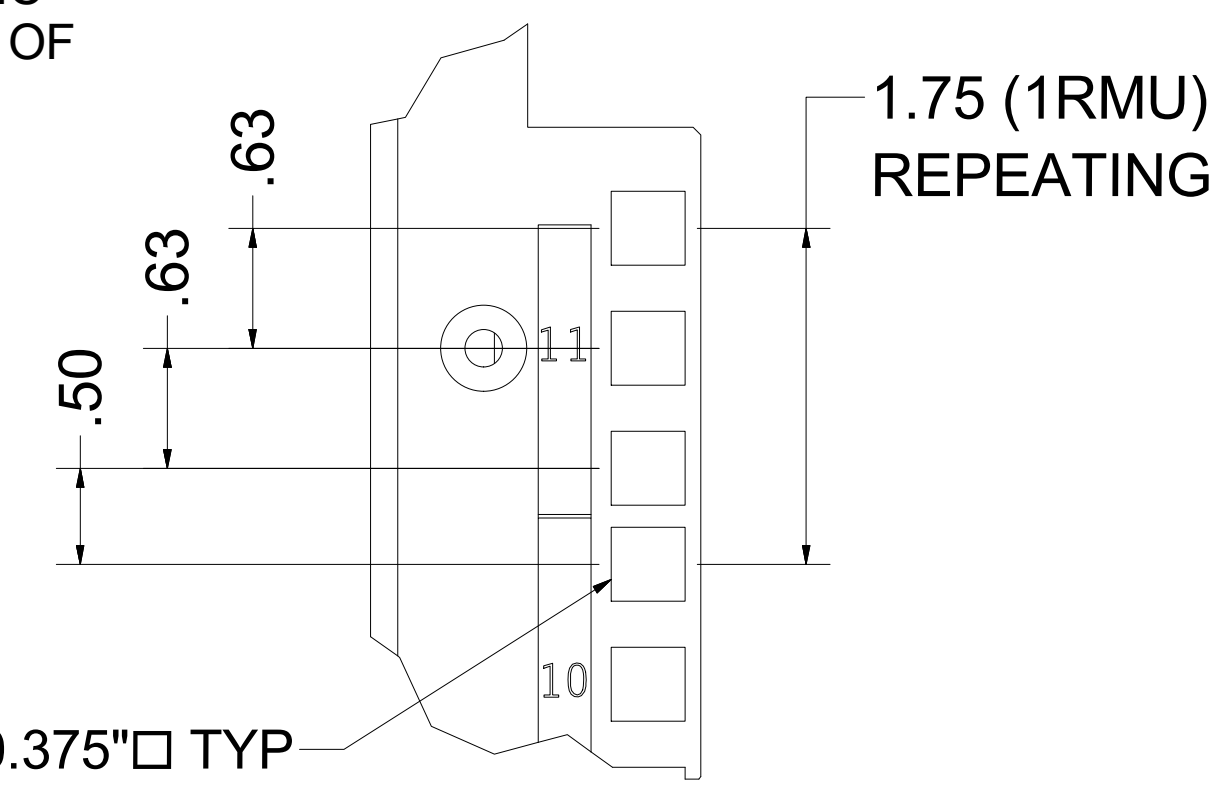
**FEATURES:** 2 PAIR OF FULLY ADJUSTABLE CAGE NUT (M6) MOUNTING RAILS, #12 GA. 1", 2", AND 3" CONDUIT KNOCKOUTS ON TOP PLATE OF REAR SECTION. SOLID STEEL, VENTED OR PLEXIGLASS DOORS ARE AVAILABLE FOR THE FRONT. CENTER SWING-OUT SECTION PROVIDES FRONT/ REAR ACCESS BOTH SETS OF RAILS. CENTER SWING-OUT SECTION SUPPORTED BY ROLLER TO MITIGATE DEFLECTION. REVERSIBLE HINGES FOR SWINGOUT OPENING FOR LEFT OR RIGHT-HAND.

**USABLE DEPTH:** APPROXIMATELY 28.00" AS SHOWN

PART No.	HEIGHT	RMU	MTG HOLES	WEIGHT CAPACITY
GL24WDX	23.43"	11	18.82"	250 lbs
GL36WDX	35.68"	18	31.07"	300 lbs
GL48WDX	47.93"	25	43.32"	350 lbs



SECTION A-A



0.375" TYP W/ M6 HARDWARE

DETAIL B