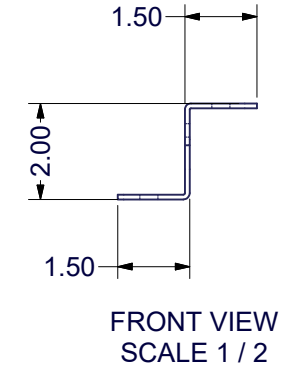
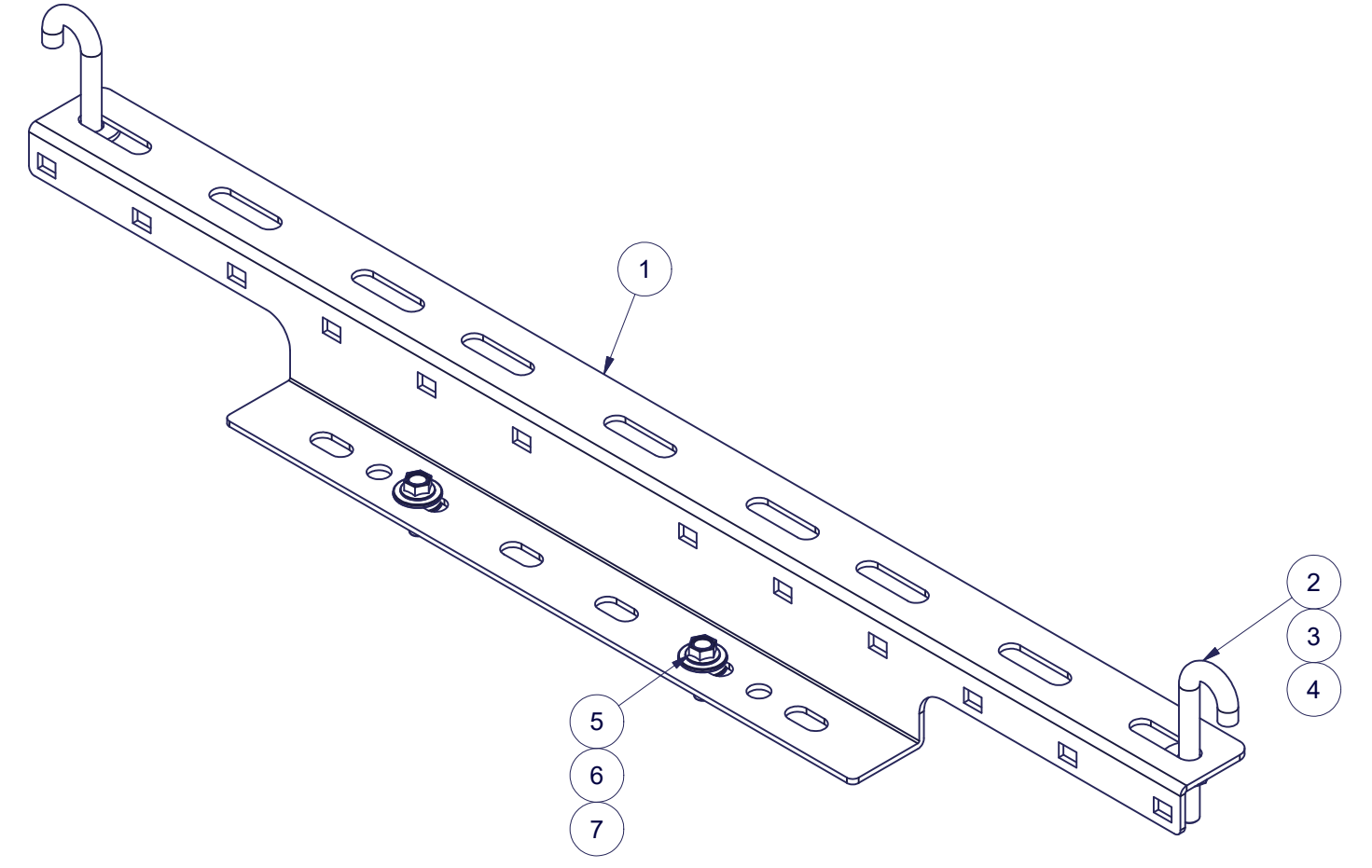
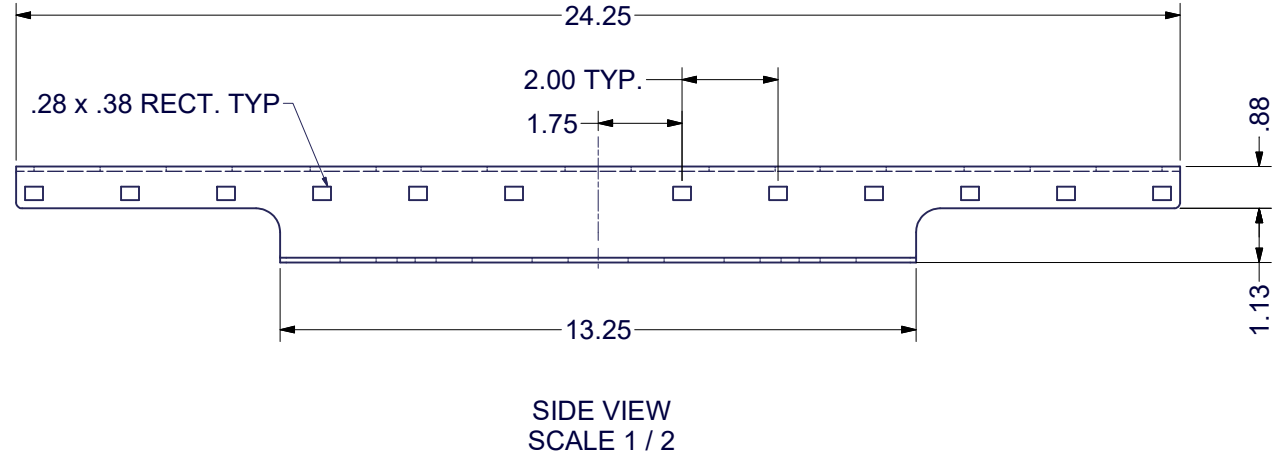
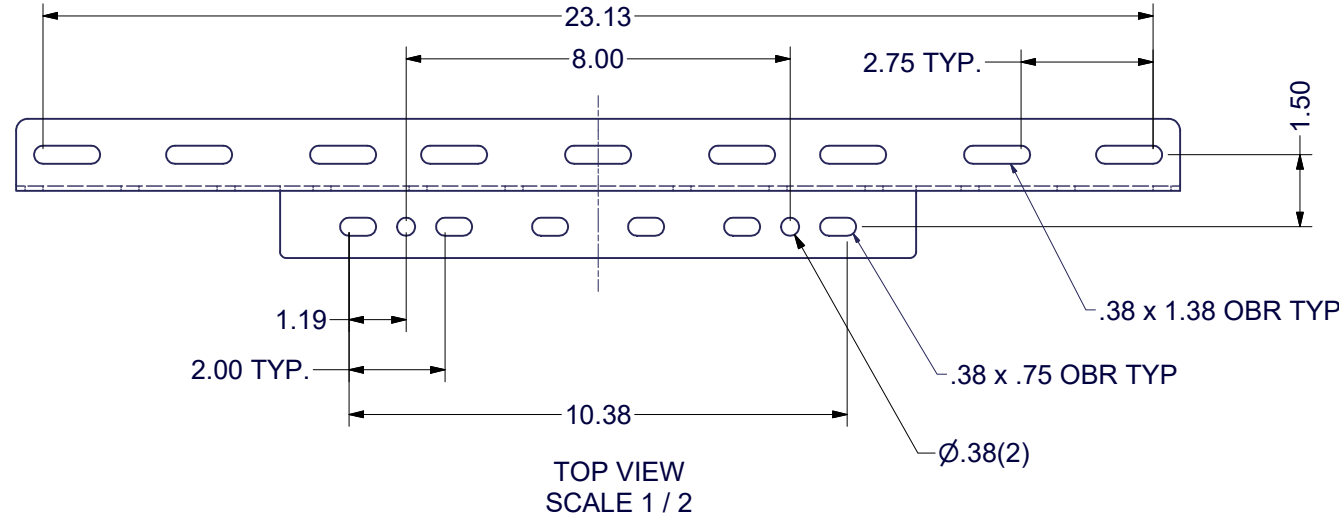


REVISION HISTORY			
REV	DESCRIPTION	DATE	APPROVED
0	ECO-07898	5/15/20	CND

Bill of Material						
ITEM	PART NUMBER	STOCK #	QTY	DESCRIPTION	FILE NAME	Rev
1	I032381		1	FIXED 2"H LADDER RACK BRACKET DETAIL	I032381.ipt	0
2	1984LRJ3100	H04-064	2	LADDER RACK SUPPORT BOLT (5/16"-18) (DELL #031048JB1B OR EQUIVALENT)	I001563.ipt	2
3	H02-052	H02-052	2	5/16-18 HEX FLANGE SERRATED LOCKNUT ZINC RoHS	516-18HXNUT.ipt	0
4		H03-018	2	5/16" ZINC PLATED FLAT WASHER, .875" OD, .375" ID, .082" THICK	516SFLWSHR.ipt	0
5		H04-037	2	1/4-20 X 3/4 LG. FLANGED HH RBZ	H04-037.ipt	-
6	H03-008	H03-008	4	1/4" USS FLAT WASHER, RBZ	H03-008.ipt	-
7		H02-014	2	1/4-20 HEX NUT w/SERRATED FLANGED LOCK NUT - BLACK OXIDE/WAX RoHS	1420FLANGE NUT.ipt	-



SPECIAL NOTES:
 1) HARDWARE SHIPS WITH BRACKET
 2) #12 GA CRS

EST. WEIGHT : N/A	INTERPRET DRAWING PER ASME Y14.5M-1994 DIMENSIONAL LIMITS APPLY AFTER APPLICATION OF FINISH	NOTICE: Use of this document is subject to a confidentiality and nondisclosure agreement with Great Lakes Data Racks & Cabinets and may not be reproduced, disclosed or utilized in whole or in part without prior written authorization from Great Lakes.	PART NUMBER: 4PLRB2X100	TITLE FIXED 2"H LADDER RACK BRACKET FOR 12,18, & 24"W LADDER
	DRAWING NOT TO SCALE TOLERANCE UNLESS OTHERWISE NOTED: ANGULAR +/- .1" .XXXX +/- .010 .XXX +/- .015 .XX +/- .030 .X FOR REF. ONLY		MATERIAL TYPE: CRS	GREAT LAKES DATA RACKS & CABINETS P.O. BOX 551 EDINBORO, PA 16412 PHONE (814) 734-7303 FAX (814) 734-3907 E-MAIL info@greatcabinets.com
THIRD ANGLE PROJECTION	UNLESS OTHERWISE SPECIFIED ALL DIMENSIONS ARE IN INCHES		DRAWN CaiusD	DATE 5/15/20
			CHECKED & APP. CND	DATE 5/15/20
			DWG NO: 4PLRB2	REV 0
				SHEET: 1 OF 1