

REVISION HISTORY			
REV	DESCRIPTION	DATE	APPROVED
0	ECO-07891	5/4/20	HM

OUTSIDE CENTER EQUIPMENT GUIDES

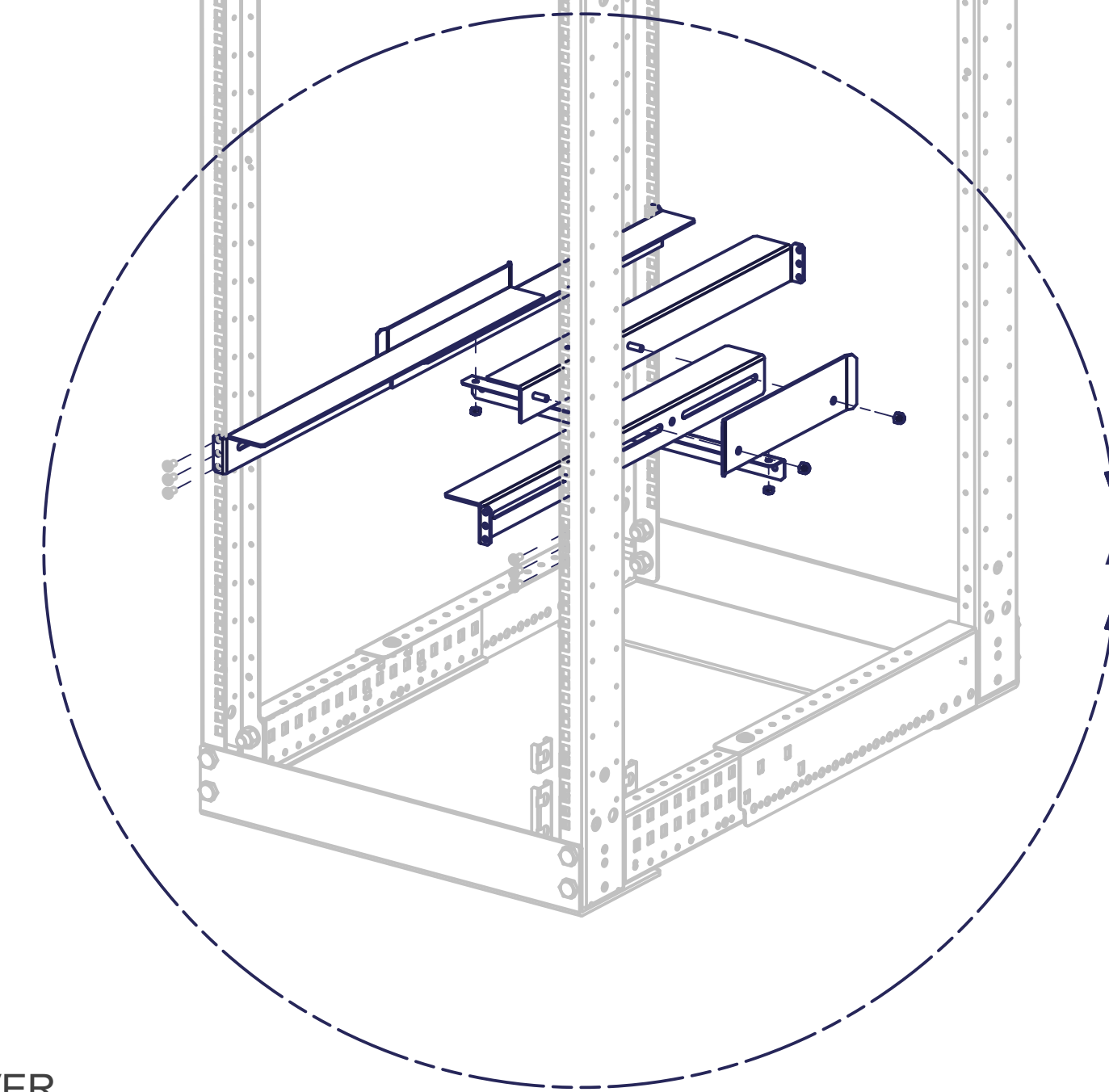
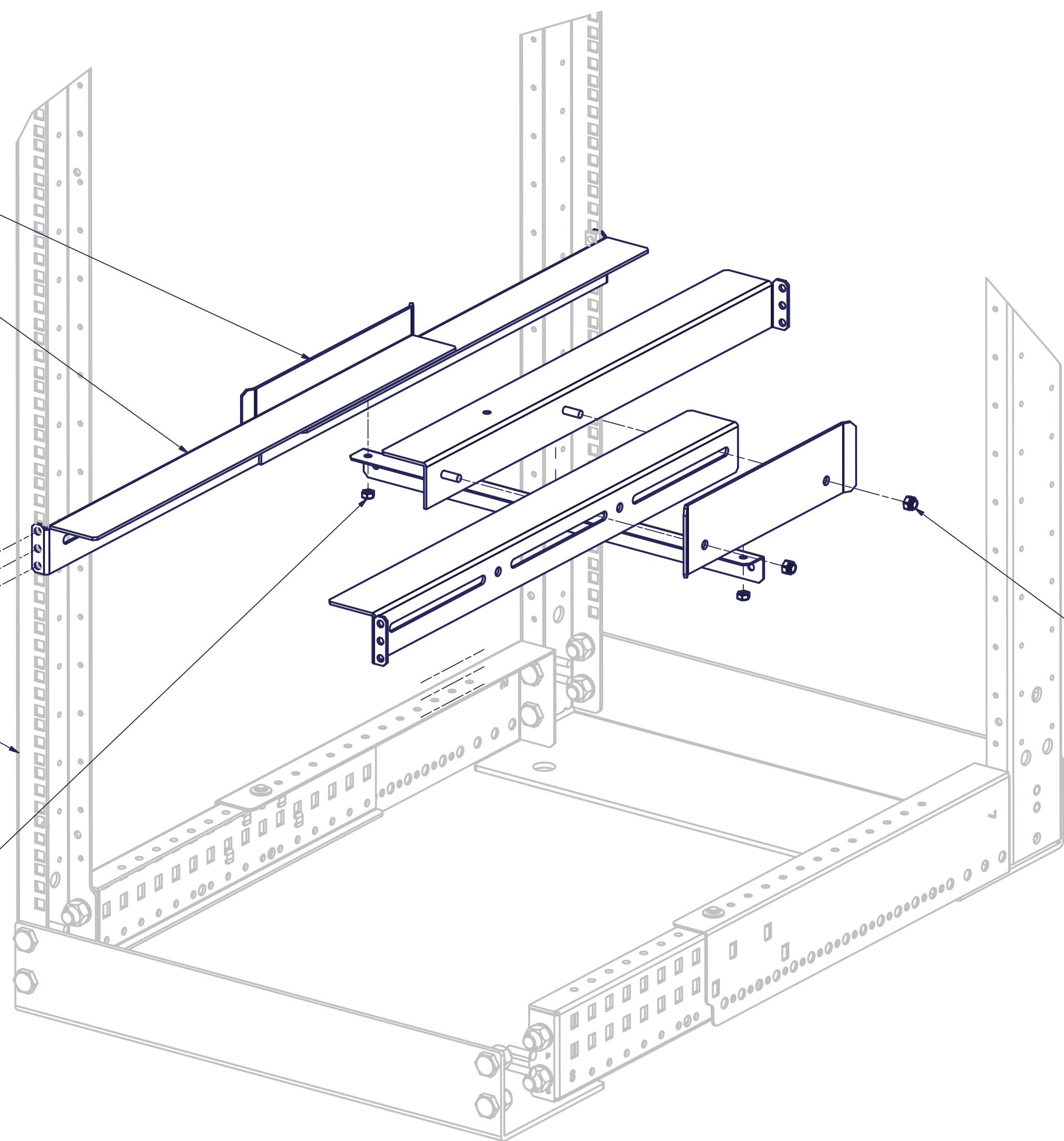
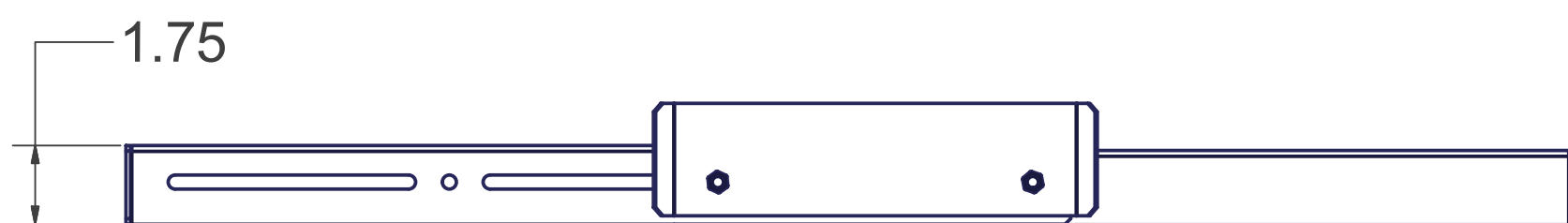
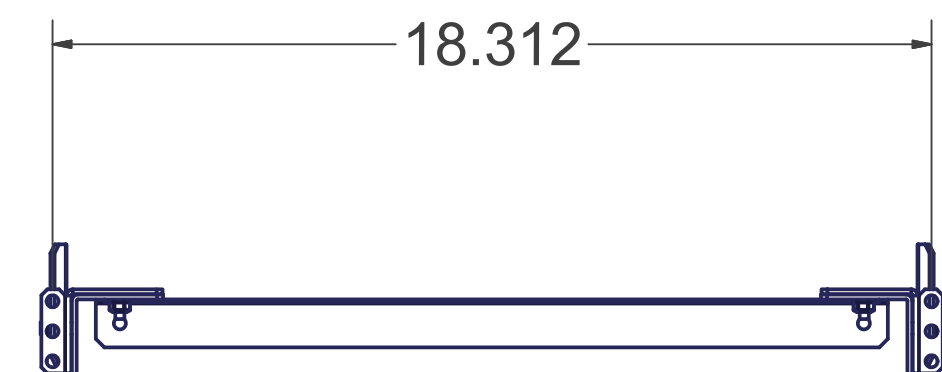
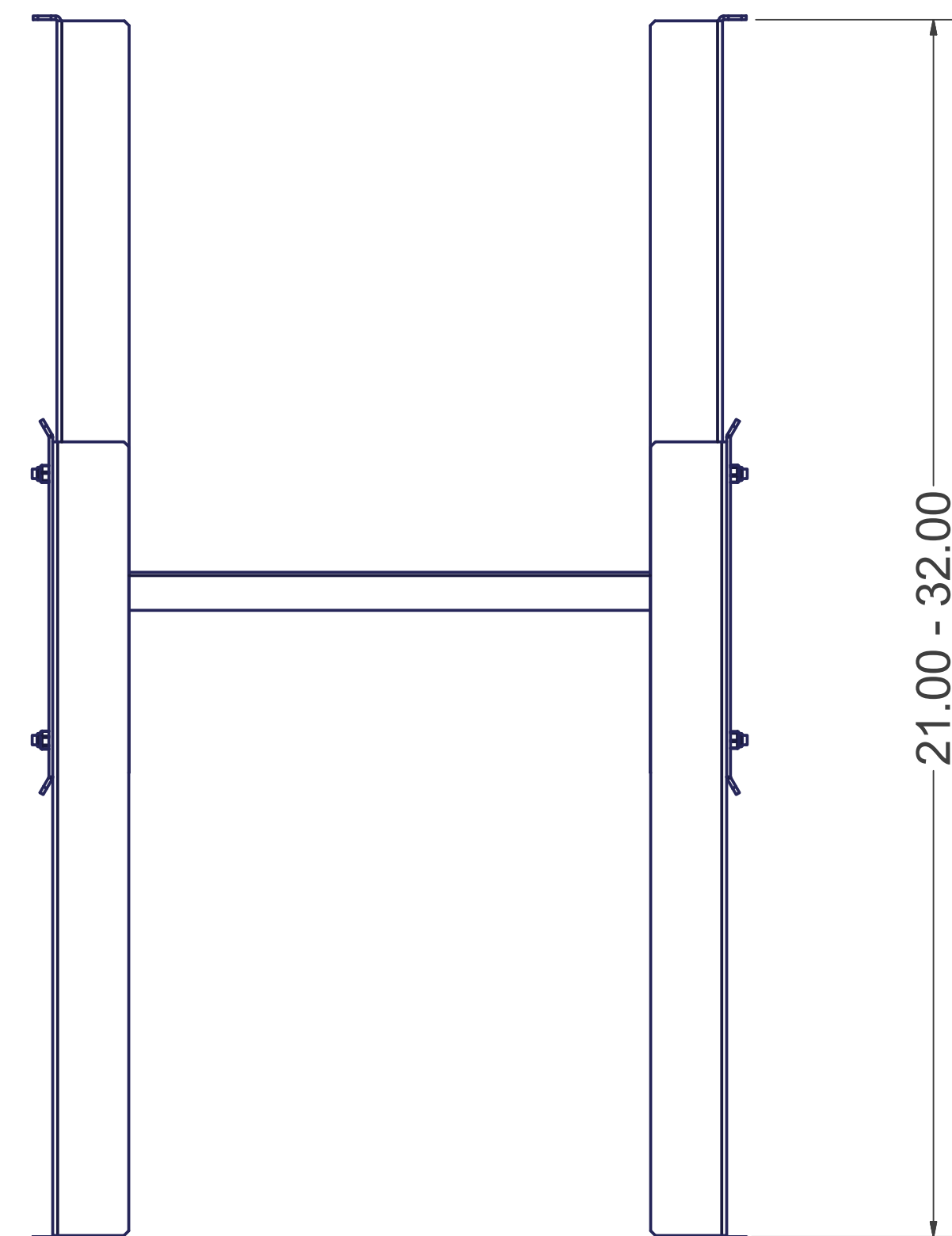
EQUIPMENT SUPPORT FRAME - 21"-32"

RAIL MOUNTING HARDWARE (NOT INCLUDED)

21"-32" 4 POST RACK (NOT INCLUDED)

10-32 HEX STOP NUT

1/4-20 HEX STOP NUT



DETAIL A
RIGHT FRONT EQUIPMENT RAIL NOT SHOWN

TOOLS & INSTRUCTION

TOOLS: 3/8" & 7/16" SOCKET, PHILIPS HEAD SCREW DRIVER

- 1) ASSEMBLE THE EQUIPMENT SUPPORT FRAME BUT DO NOT TIGHTEN.
- 2) INSTALL IN THE RU BELOW THE EQUIPMENT TO BE SUPPORTED.
- 3) ADJUST THE DEPTH OF THE SUPPORT FRAME TO FIT EQUIPMENT MOUNTING RAILS.
- 4) TIGHTEN ALL THE HARDWARE.

NOTICE:

Use of this document is subject to a confidentiality and nondisclosure agreement with Great Lakes Case & Cabinet Co., Inc. (GLCC) and may not be reproduced, disclosed or utilized in whole or in part without prior written authorization from GLCC.

EST. WEIGHT :
N/A

THIRD ANGLE PROJECTION

INTERPRET DRAWING PER ASME Y14.5M-1994
DIMENSIONAL LIMITS APPLY AFTER APPLICATION OF FINISH
DRAWING NOT TO SCALE
TOLERANCE UNLESS OTHERWISE NOTED:
ANGULAR +/- 1°
.XXXX +/- .010
.XXX +/- .015
.XX +/- .030
.X FOR REF. ONLY
UNLESS OTHERWISE SPECIFIED ALL DIMENSIONS ARE IN INCHES

PART NUMBER: ESF2132X200
QTY PER UNIT: 1
MATERIAL TYPE: CRS
MATERIAL GAUGE: VARIED
FINISH: POWDER
DRAWN: PCS
CHECKED & APP: PCS
DATE: 5/4/2020

TITLE: EQUIPMENT SUPPORT FRAME, 19" EIA, ADJUSTABLE DEPTH FOR 21" TO 32" RAIL TO RAIL
GREAT LAKES CASE & CABINET CO., INC.
P.O. BOX 551 EDINBORO, PA 16412
PHONE (814) 734-7303 FAX (814) 734-3907
E-MAIL glcc@greatcabinets.com
DWG NO: MS-5.02-69
REV: 0
SHEET: 1 OF 1