

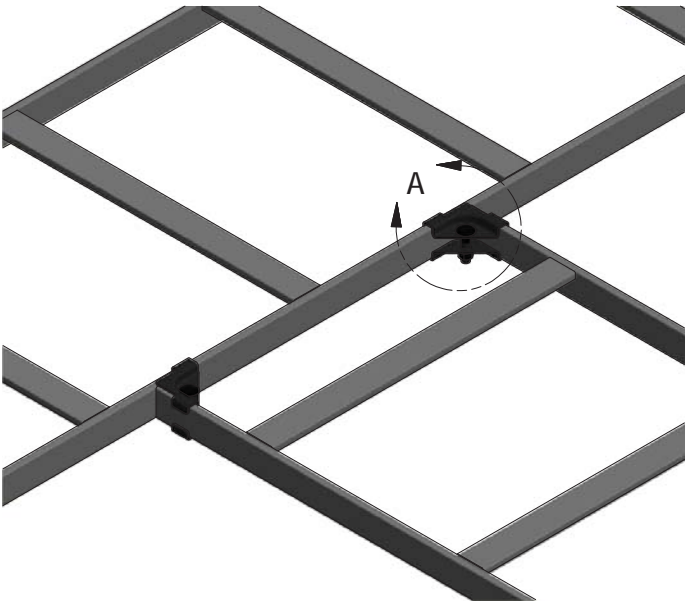
4

3

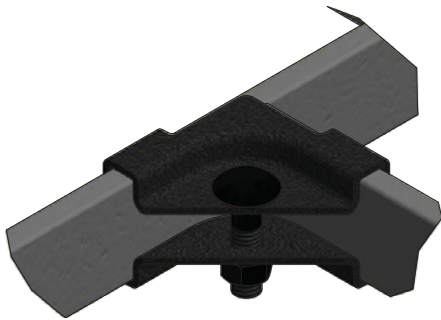
2

1

USED ON:			DWG NO: GL-CR-JSK			
REVISION						
ZONE	REV	DESCRIPTION	DATE	ECN	APPR	ENGR
	A	INITIAL RELEASE	12/22/2016		R.J.	J.K.



(SHOWN INSTALLED ON CABLE RUNWAY)



DETAIL A

Join two sections of runway together forming a perpendicular intersection
 Kit consists of (4) Splice plates •(2) 3/8"-16 trimmed head bolts •(2) 3/8"-16 hex nuts •(2) 3/8" split lock washers

<small>ALL TOLERANCES IF NOT INDICATED ARE: FRACTIONS = ± 1/32TH .XX = ± .015 .XXX = ± .005 ANGULAR = ± 1/2 DEGREE</small>		GREAT LAKES CASE & CABINET <small>Put it all on us</small>	
<small>DRAWN BY</small> JK	<small>DATE</small> 12/5/2016	<small>TITLE:</small> Junction Splice Kit for Cable Runway T Intersection	
<small>CHECKED BY</small>	<small>DATE</small>	<small>SCALE</small> B	<small>DWG NO</small> GL-CR-JSK
<small>ENGINEERING</small>	<small>DATE</small>	<small>SCALE</small> NONE	<small>RELEASE DATE</small>

4

3

2

1