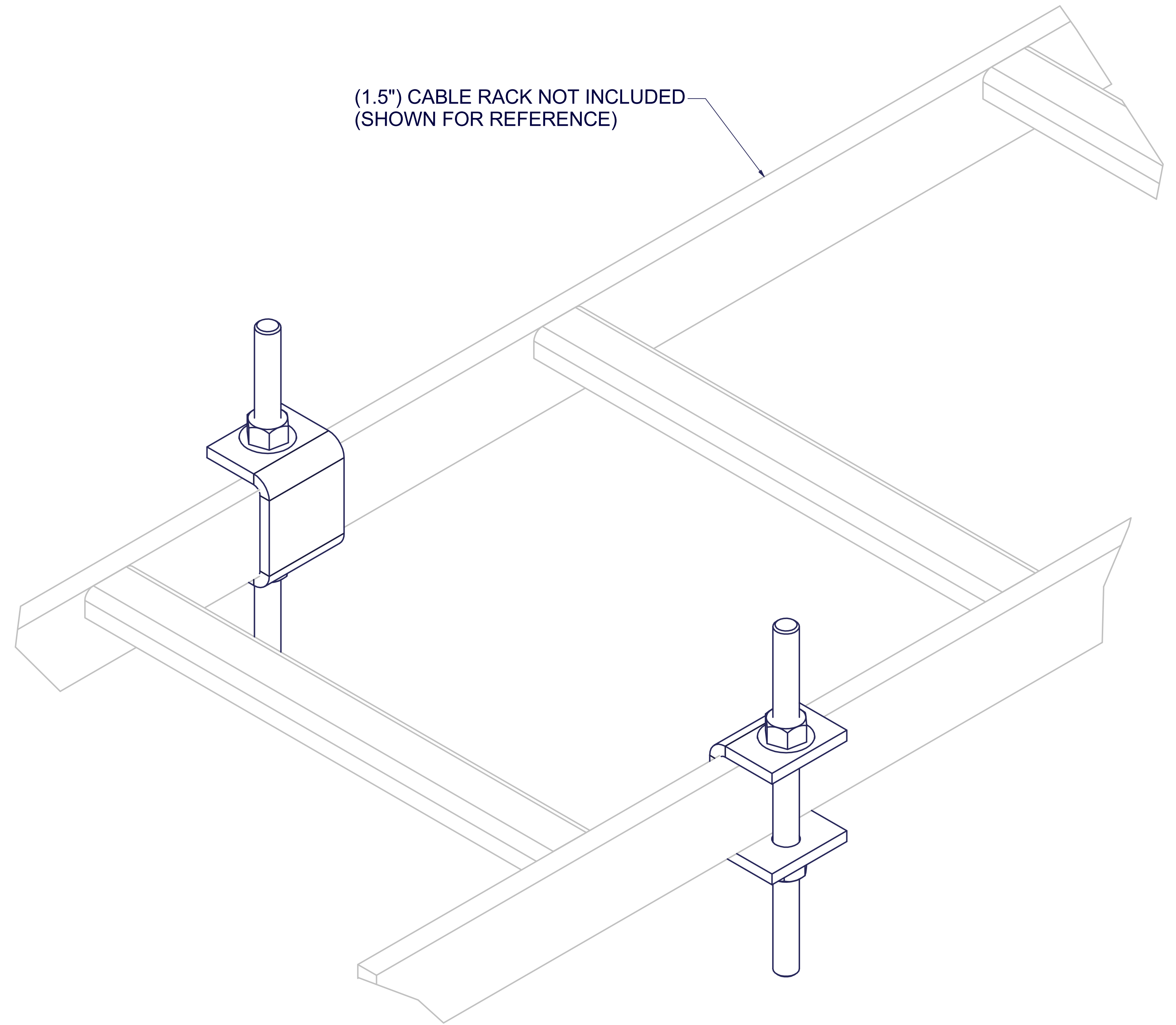
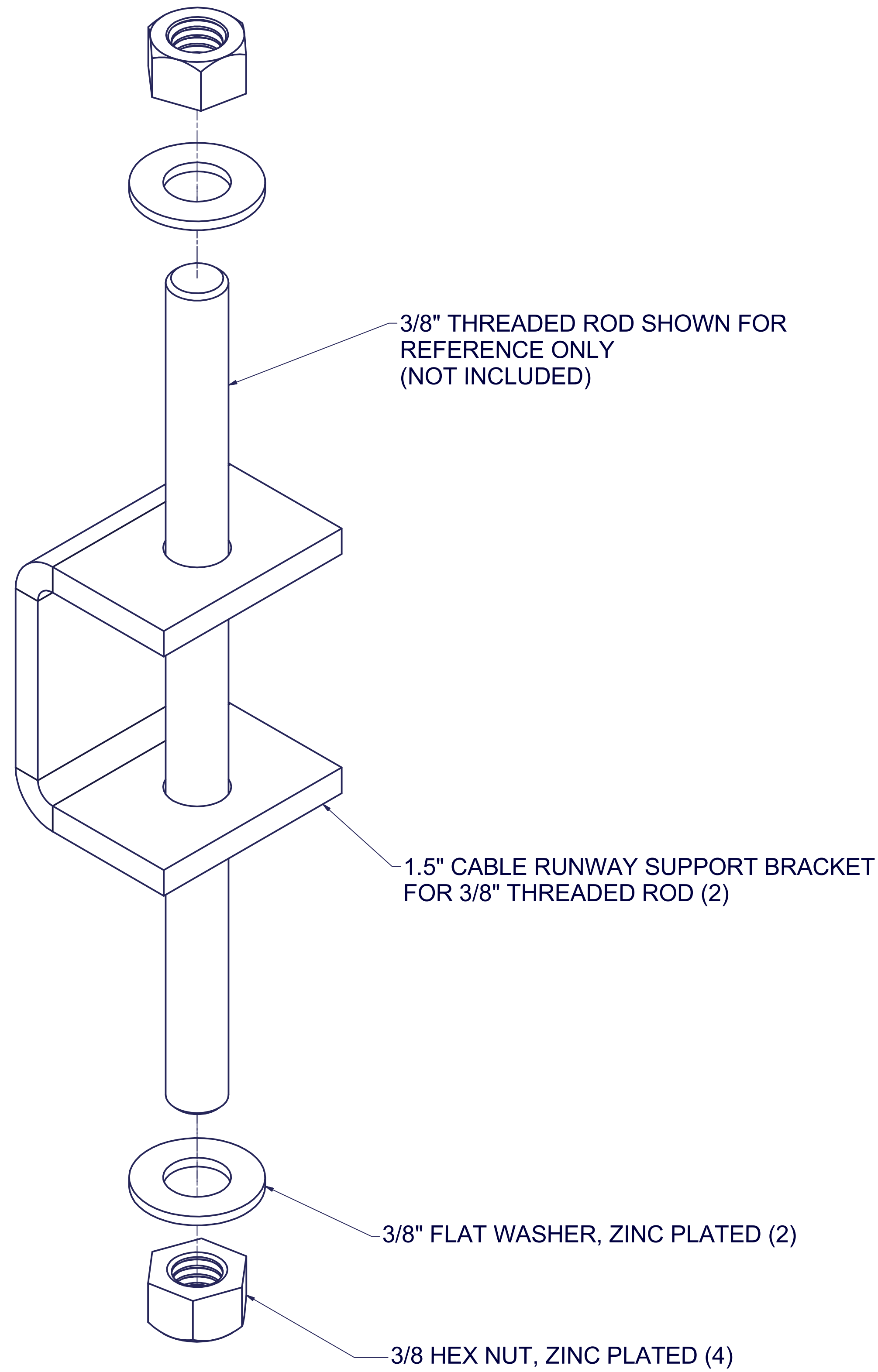


REVISION HISTORY			
REV	DESCRIPTION	DATE	APPROVED
0	ECO-08001	10/28/2020	HM



TYPICAL INSTALLATION VIEW

EST. WEIGHT :
N/A

THIRD ANGLE PROJECTION

INTERPRET DRAWING PER ASME Y14.5M-1994
DIMENSIONAL LIMITS APPLY AFTER APPLICATION OF FINISH
DRAWING NOT TO SCALE
TOLERANCE UNLESS OTHERWISE NOTED:
ANGULAR +/- .1
.XXXX +/- .010
.XXX +/- .015
.XX +/- .030
.X FOR REF. ONLY
UNLESS OTHERWISE SPECIFIED ALL DIMENSIONS ARE IN INCHES

NOTICE:
Use of this document is subject to a confidentiality and nondisclosure agreement with Great Lakes Data Racks & Cabinets and may not be reproduced, disclosed or utilized in whole or in part without prior written authorization from Great Lakes.
Product specification, price & availability are subject to change without prior notice.

PART NUMBER: GL-CR-RSB38
MATERIAL TYPE: STEEL
MATERIAL GAUGE:
FINISH: POWDERCOAT
DRAWN: henrym
CHECKED & APP. CND
DATE: 10/27/2020
DATE: 10/28/20

TITLE: 1.5" CABLE RUNWAY THREADED ROD KIT W/HDWE	GREAT LAKES DATA RACKS & CABINETS P.O. BOX 551 EDINBORO, PA 16412 PHONE (814) 734-7303 FAX (814) 734-3907 E-MAIL info@greatcabinets.com
DWG NO: 1032863	
REV: 0	SHEET: 1 OF 1