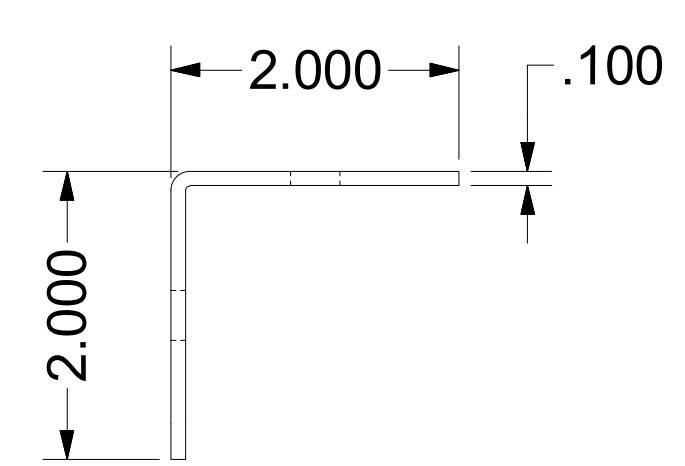
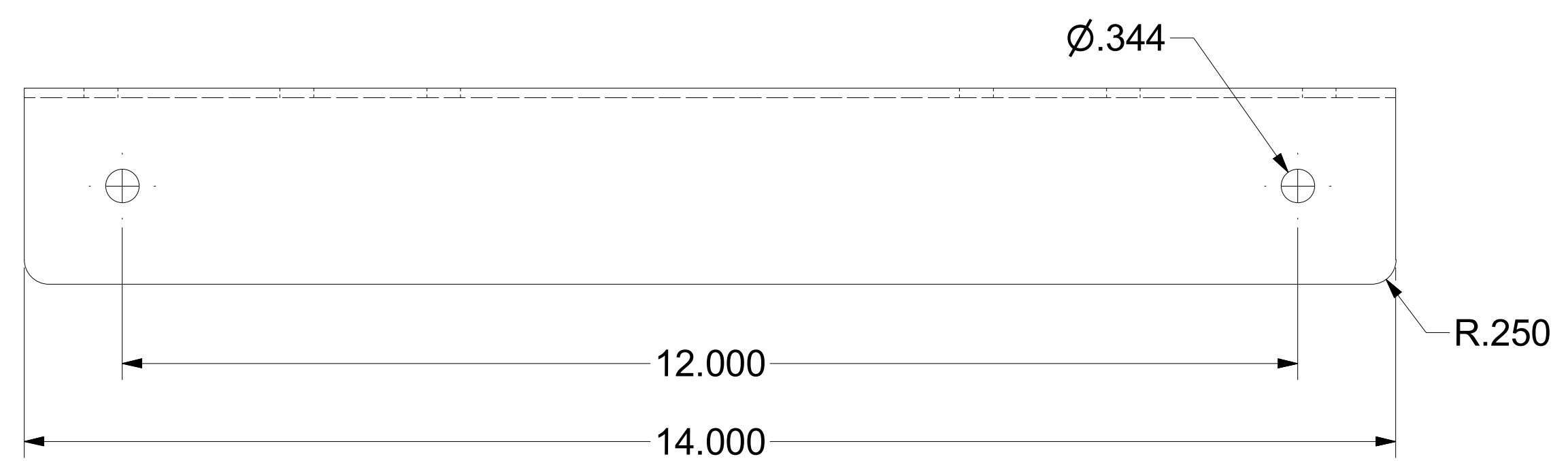
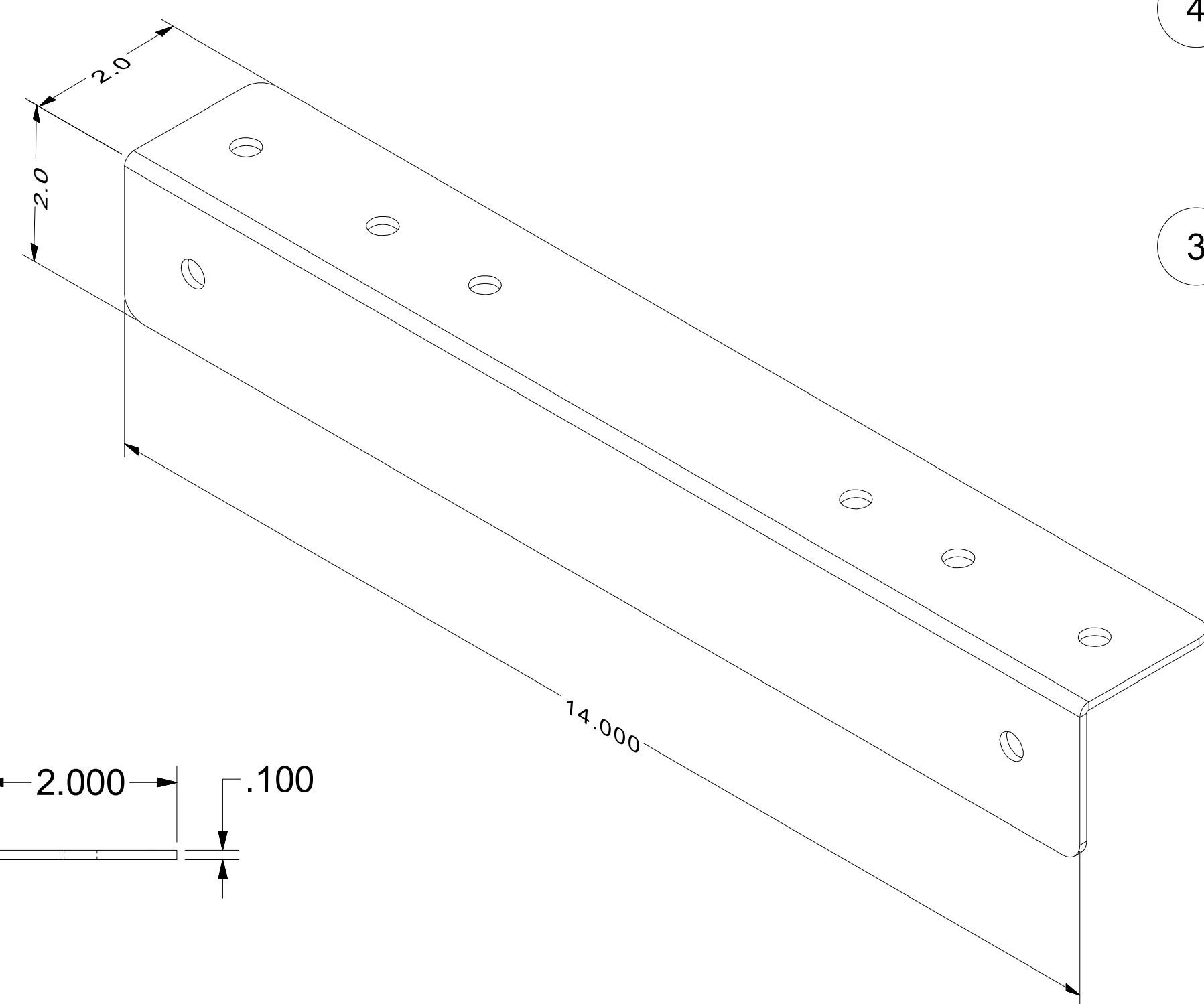
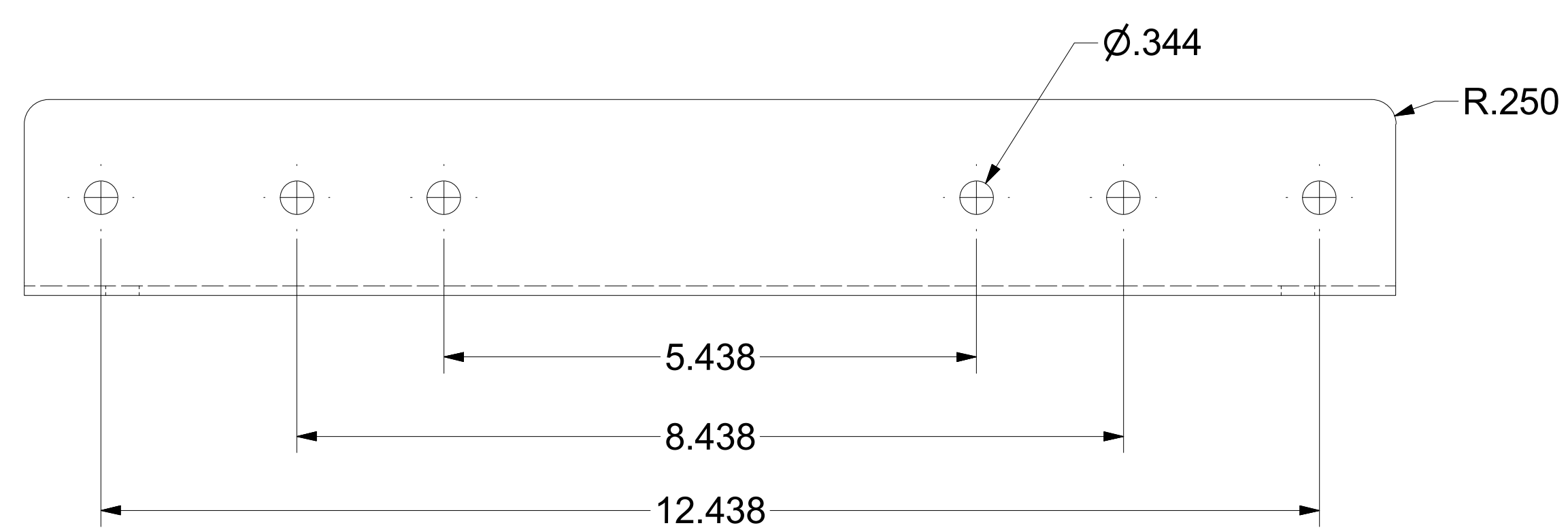
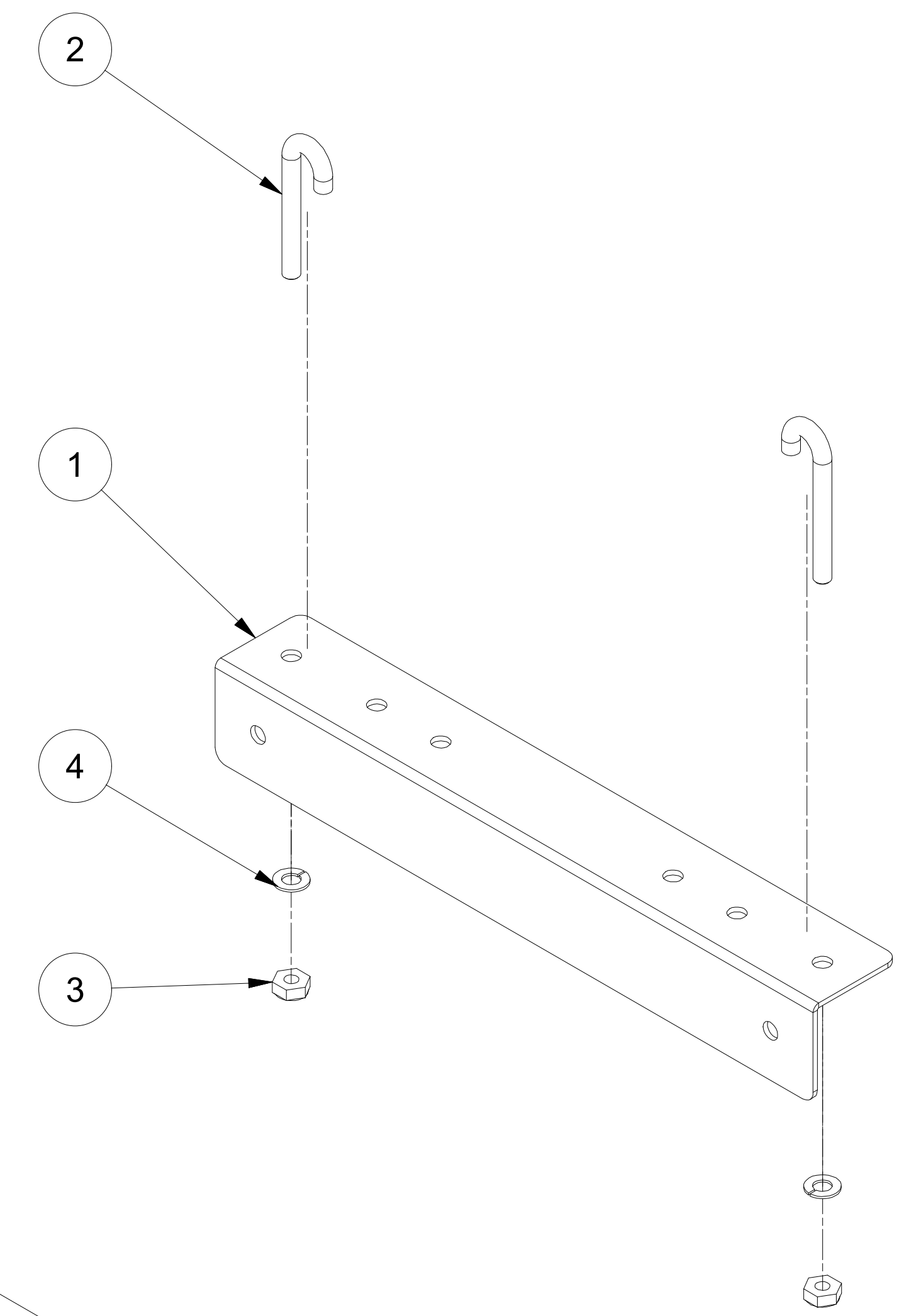
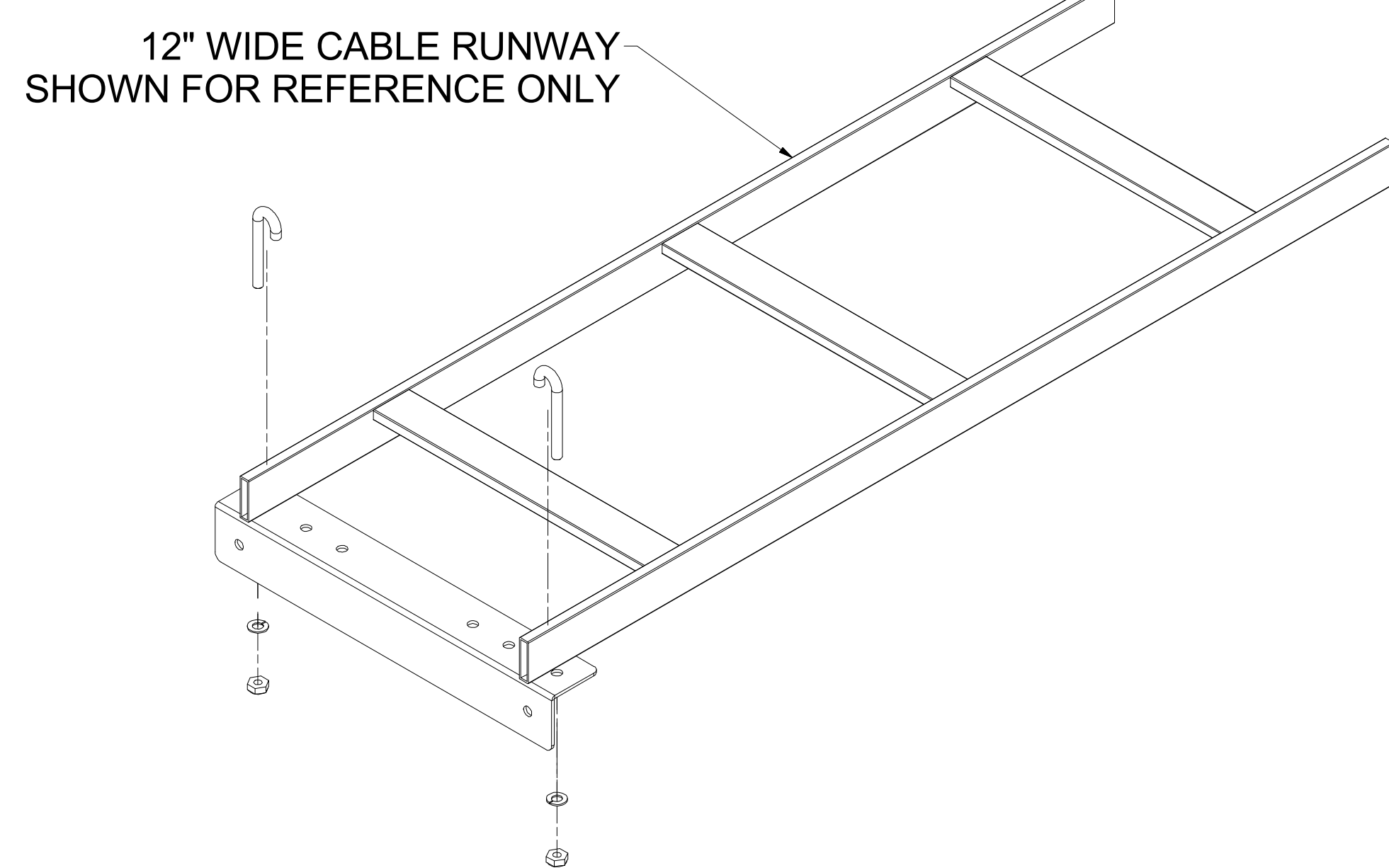
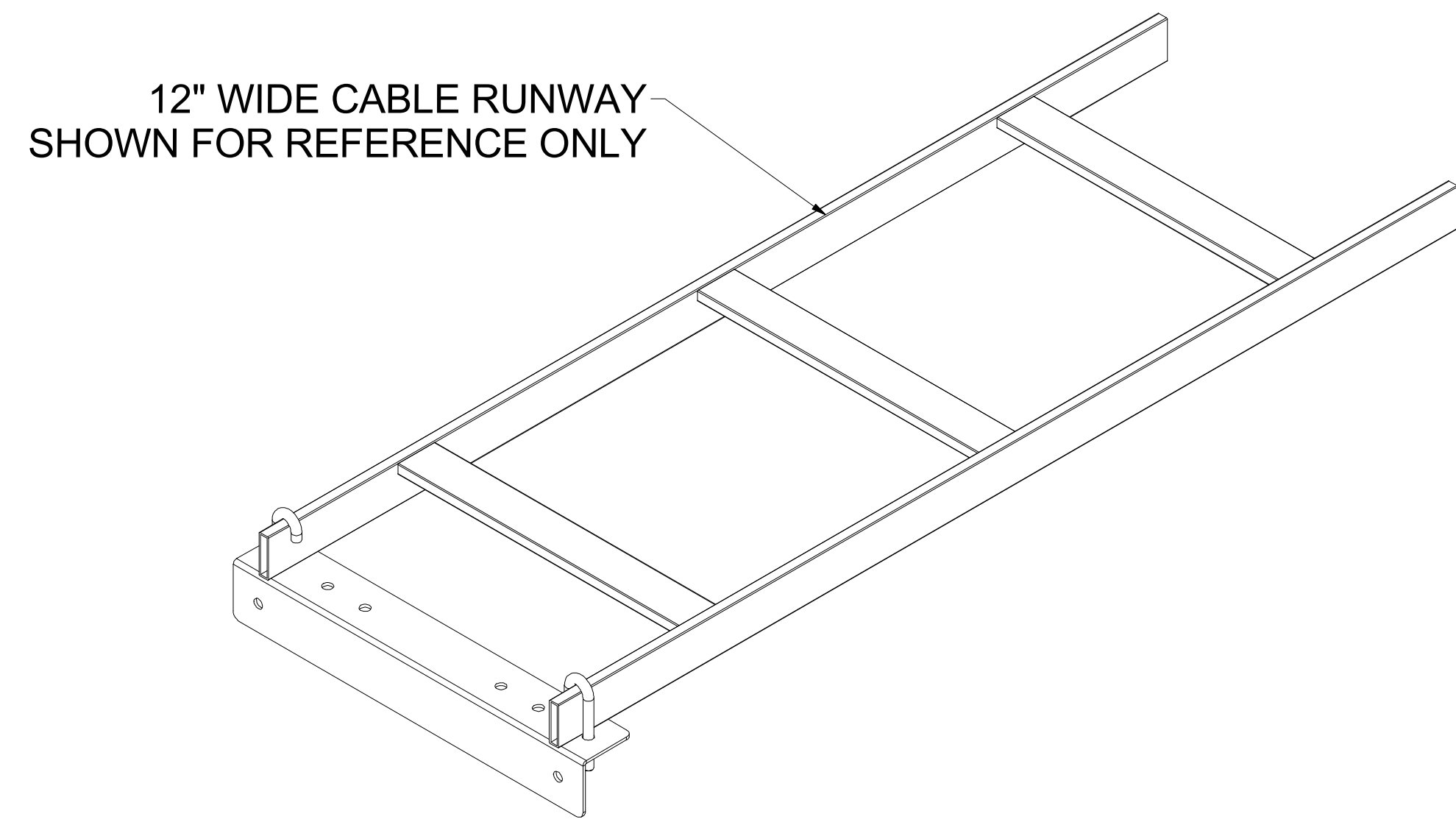
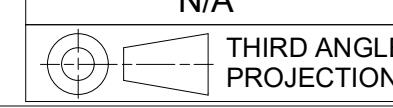


REVISION HISTORY			
REV	DESCRIPTION	DATE	APPROVED
0	IN. RELEASE	8-20-20	WSS

Bill of Material			
ITEM	PART NUMBER	QTY	DESCRIPTION
1	PF 610-12-WTK	1	WALL TERMINATION BRACKET FOR 12" WIDE CABLE RUNWAY
2		2	LADDER RACK SUPPORT BOLT (5/16"-18) (DELL #031048BJB1B OR EQUIVALENT)
3		2	5/16-18 HEX FLANGE SERRATED LOCKNUT ZINC RoHS
4		2	WASHER, 5/16" SPLIT LOCK, ZINC PLATED



EST. WEIGHT :
N/A



INTERPRET DRAWING PER ASME Y14.5M-1994
DIMENSIONAL LIMITS APPLY
AFTER APPLICATION OF FINISH
DRAWING NOT TO SCALE
TOLERANCE UNLESS OTHERWISE NOTED:
ANGULAR +/- 1°
.XXXX +/- .010
.XXX +/- .015
.XX +/- .030
.X FOR REF. ONLY
UNLESS OTHERWISE SPECIFIED
ALL DIMENSIONS ARE IN INCHES

NOTICE:

Use of this document is subject to a confidentiality and nondisclosure agreement with Great Lakes Data Racks & Cabinets and may not be reproduced, disclosed or utilized in whole or in part without prior written authorization from Great Lakes.

PART NUMBER:
GL-CR-WTK12
MATERIAL TYPE:
C.R.S.
MATERIAL GAUGE:
FINISH: POWDER COAT
DRAWN: WSS
DATE: 8-20-2020
CHECKED & APP. DATE: 8-20-20

TITLE: **WALL TERMINATION KIT FOR 12" WIDE CABLE RUNWAY.**
GREAT LAKES DATA RACKS & CABINETS
P.O. BOX 551 EDINBORO, PA 16412
PHONE (814) 734-7303 FAX (814) 734-3907
E-MAIL info@greatcabinets.com
DWG NO: **GL-CR-WTK12**
REV: **0**
SHEET: 1 OF 1