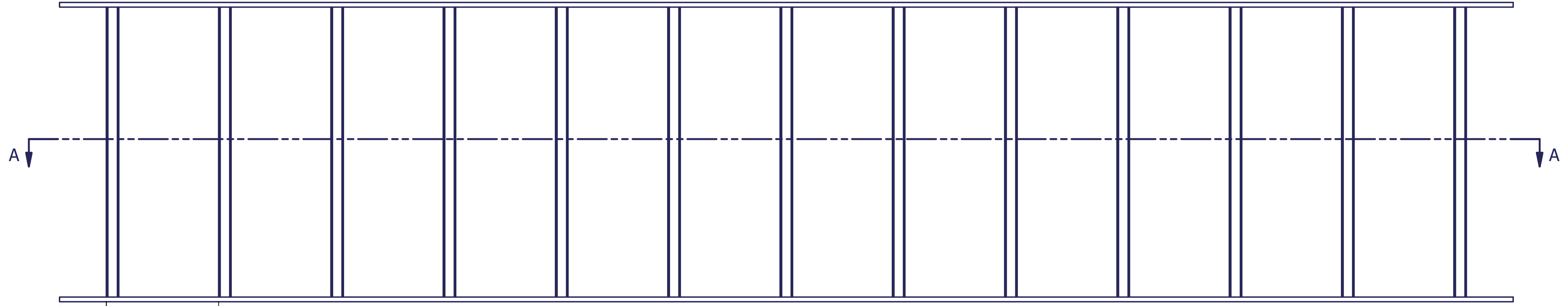
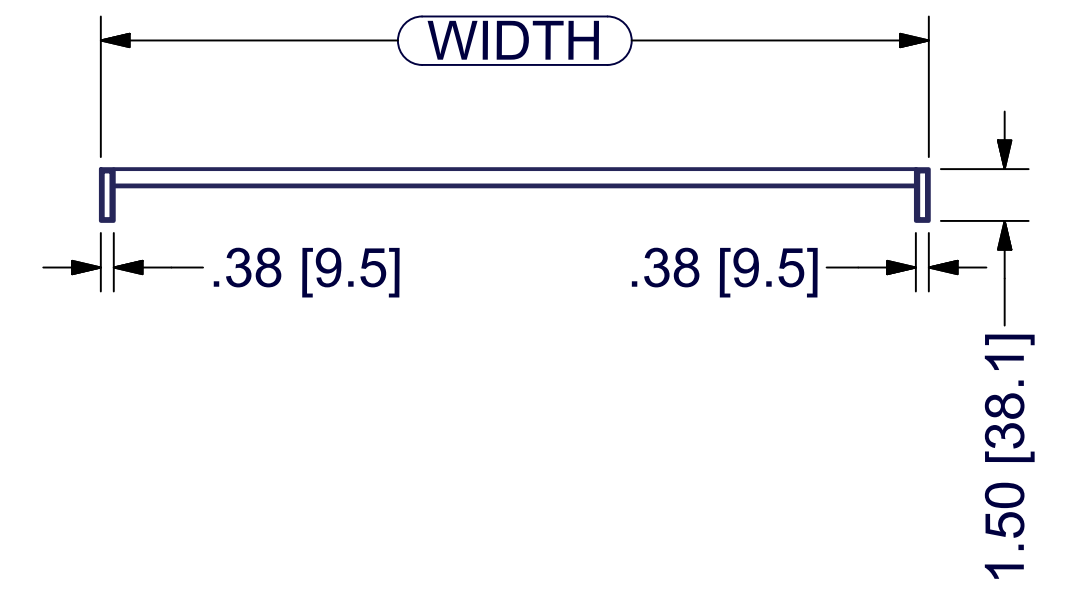
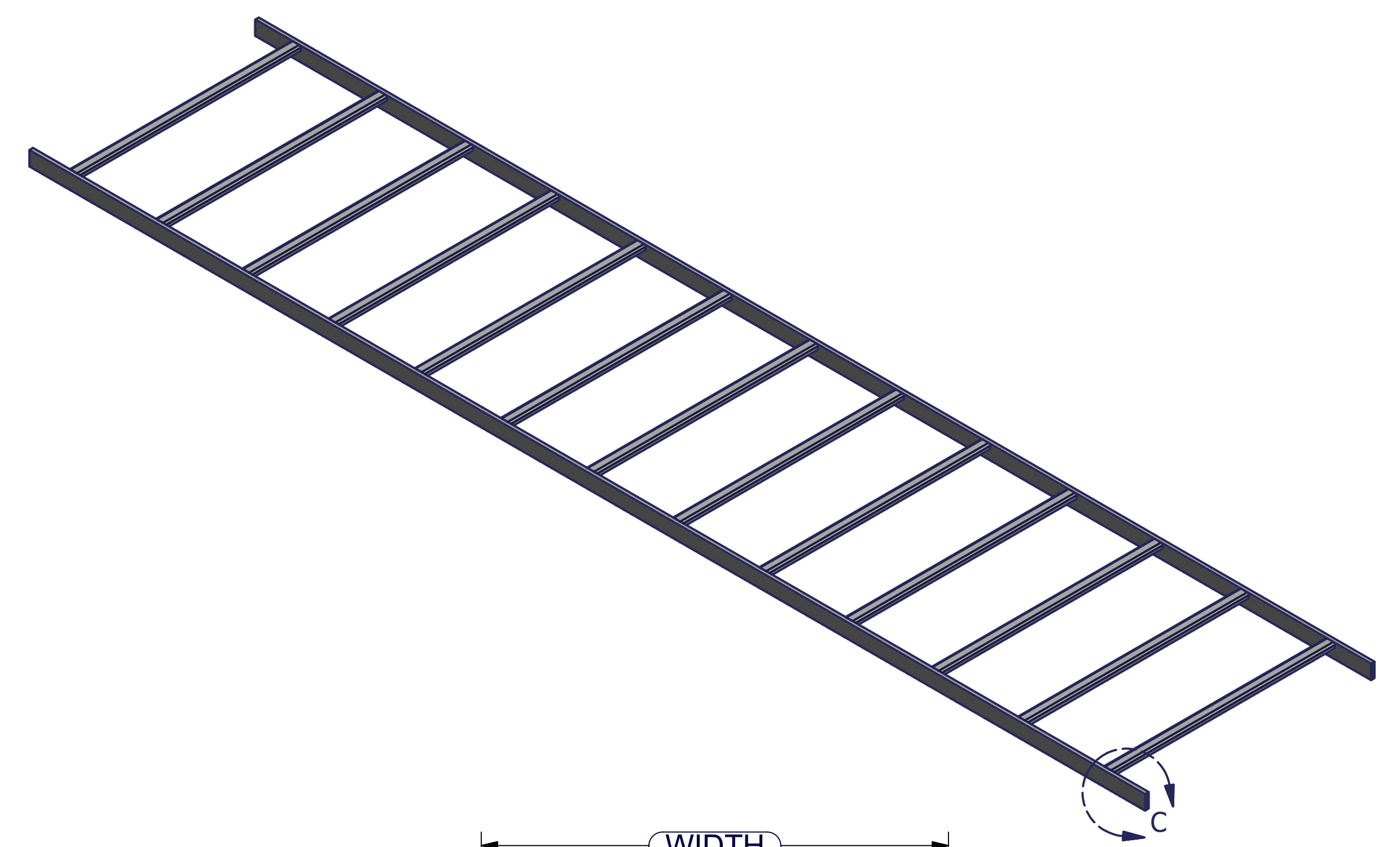
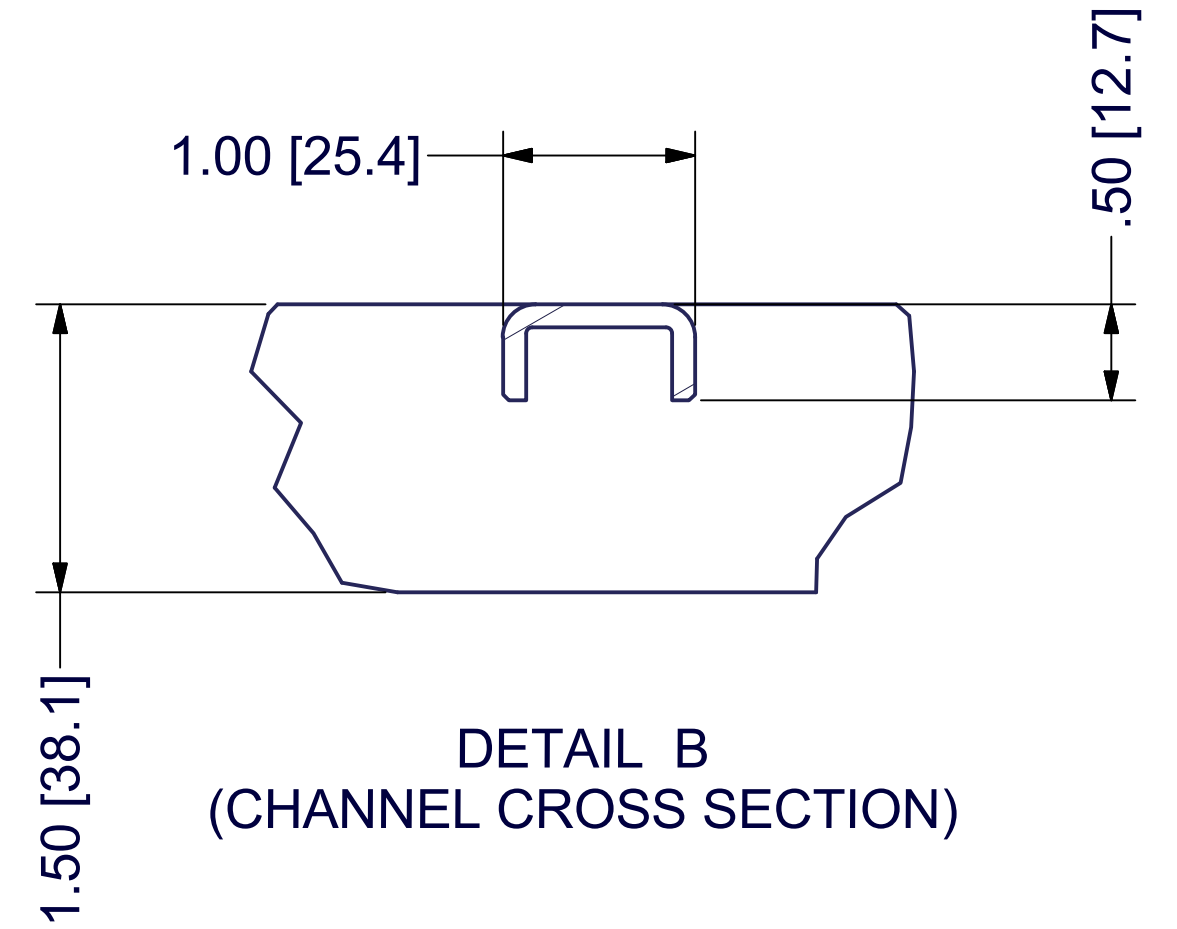
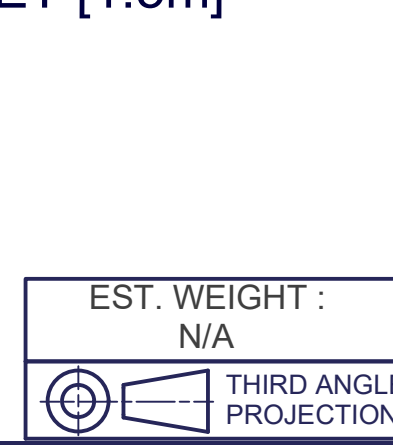


REVISION HISTORY			
REV	DESCRIPTION	DATE	APPROVED
0	ECO-08001	10/28/2020	HM



- SPECIFICATIONS:**
1. DIMENSIONS ARE IN INCHES[MM] UNLESS SPECIFIED OTHERWISE.
 2. CONSTRUCTED OF RECTANGULAR STEEN TUBING AND STEEL CHANNEL
 3. 130LB/FT [193 Kg/m] MAX LOAD WITH RUNWAY SUPPORTED EVERY 5 FEET [1.5m]
 4. MEETS ANSI/TIA/EIA GUIDELINES

PART NUMBER	DESCRIPTION	FILE NAME	WIDTH	UNIT WEIGHT
GL-CR610	6"[15.2 cm]W CABLE RUNWAY, 10'[305cm] SECTION, BLACK	1032862-6.iam	6.0 in[15.2 cm]	19 lb[8.6 Kg]
GL-CR1210	12"[30.5 cm]W CABLE RUNWAY, 10'[305cm] SECTION, BLACK	1032862-12.iam	12.0 in[30.5 cm]	23 lb[10.4Kg]
GL-CR1810	18"[45.7 cm]W CABLE RUNWAY, 10'[305cm] SECTION, BLACK	1032862-18.iam	18.0 in[45.7 cm]	27 lb[12.2Kg]
GL-CR2410	24"[61.0 cm]W CABLE RUNWAY, 10'[305cm] SECTION, BLACK	1032862-24.iam	24.0 in[61.0 cm]	32 lb[14.5Kg]



INTERPRET DRAWING PER ASME Y14.5M-1994

DIMENSIONAL LIMITS APPLY
AFTER APPLICATION OF FINISH

DRAWING NOT TO SCALE

TOLERANCE UNLESS OTHERWISE NOTED:

ANGULAR +/- .1°
.XXXX +/- .015
.XXX +/- .015
.XX +/- .030
.X FOR REF. ONLY

UNLESS OTHERWISE SPECIFIED
ALL DIMENSIONS ARE IN INCHES

NOTICE:

Use of this document is subject to a confidentiality and nondisclosure agreement with Great Lakes Data Racks & Cabinets and may not be reproduced, disclosed or utilized in whole or in part without prior written authorization from Great Lakes.

Product specification, price & availability are subject to change without prior notice.

PART NUMBER:
SEE CHART

MATERIAL TYPE:
STEEL

MATERIAL GAUGE:
POWDERCOAT

DRAWN:
henrym

CHECKED & APP.
CND

DATE:
10/28/2020

DATE:
10/28/20

TITLE
"XX" W CABLE RUNWAY, 10'[305cm]SECTION, BLACK

GREAT LAKES DATA RACKS & CABINETS
P.O. BOX 551 EDINBORO, PA 16412
PHONE (814) 734-7303 FAX (814) 734-3907
E-MAIL info@greatcabinets.com

DWG NO:
1032862

REV
0

SHEET: 1 OF 1