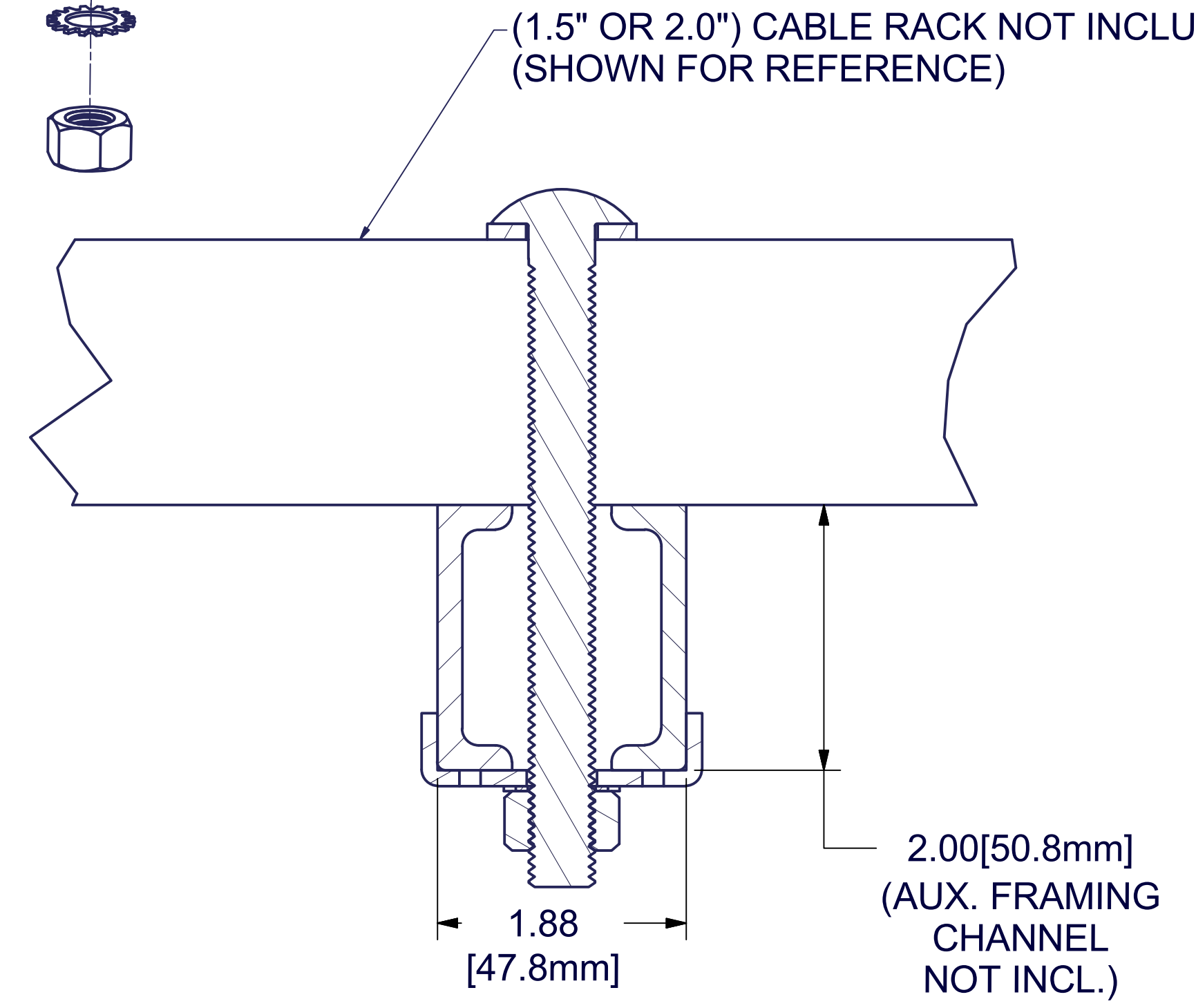
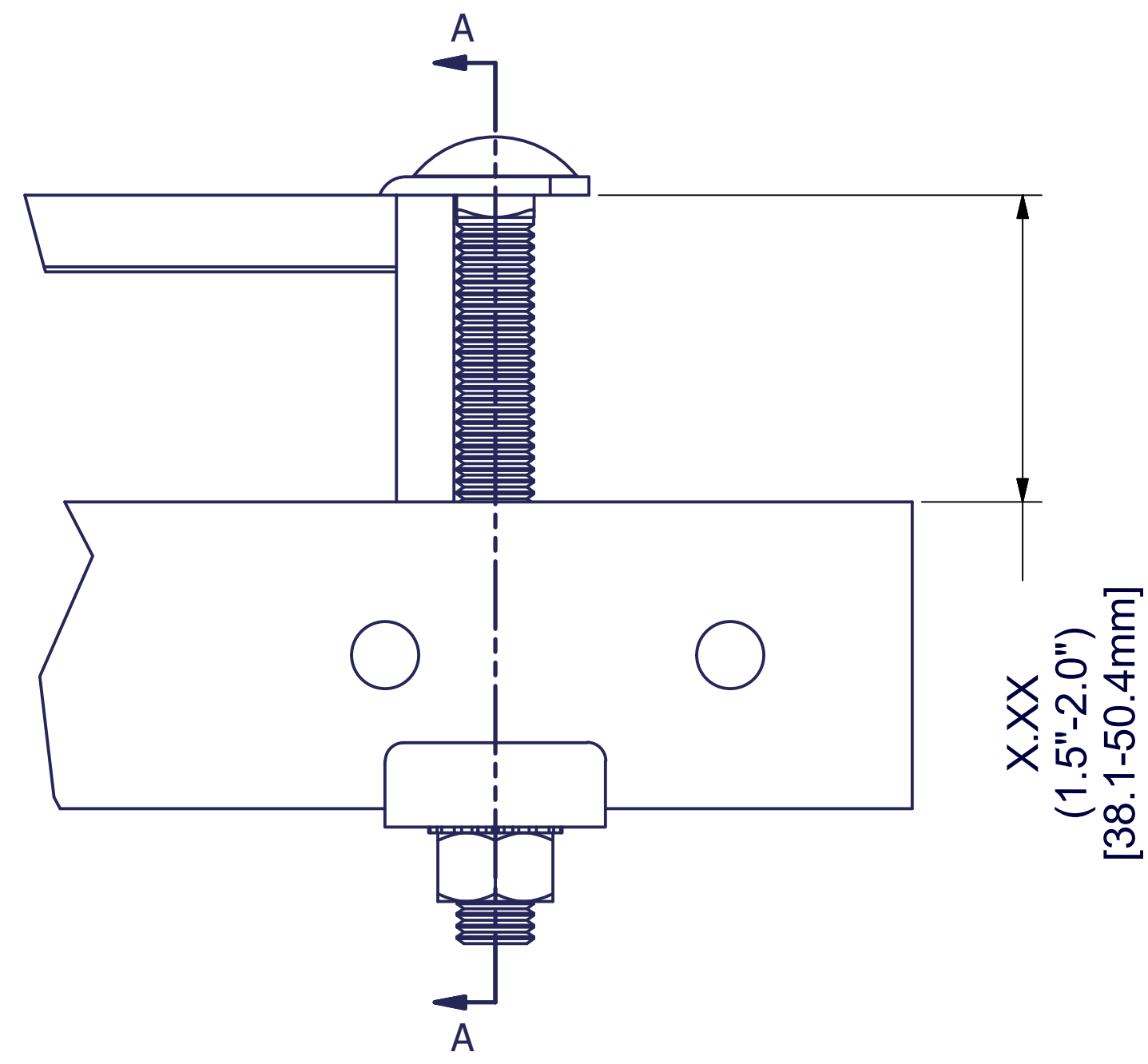
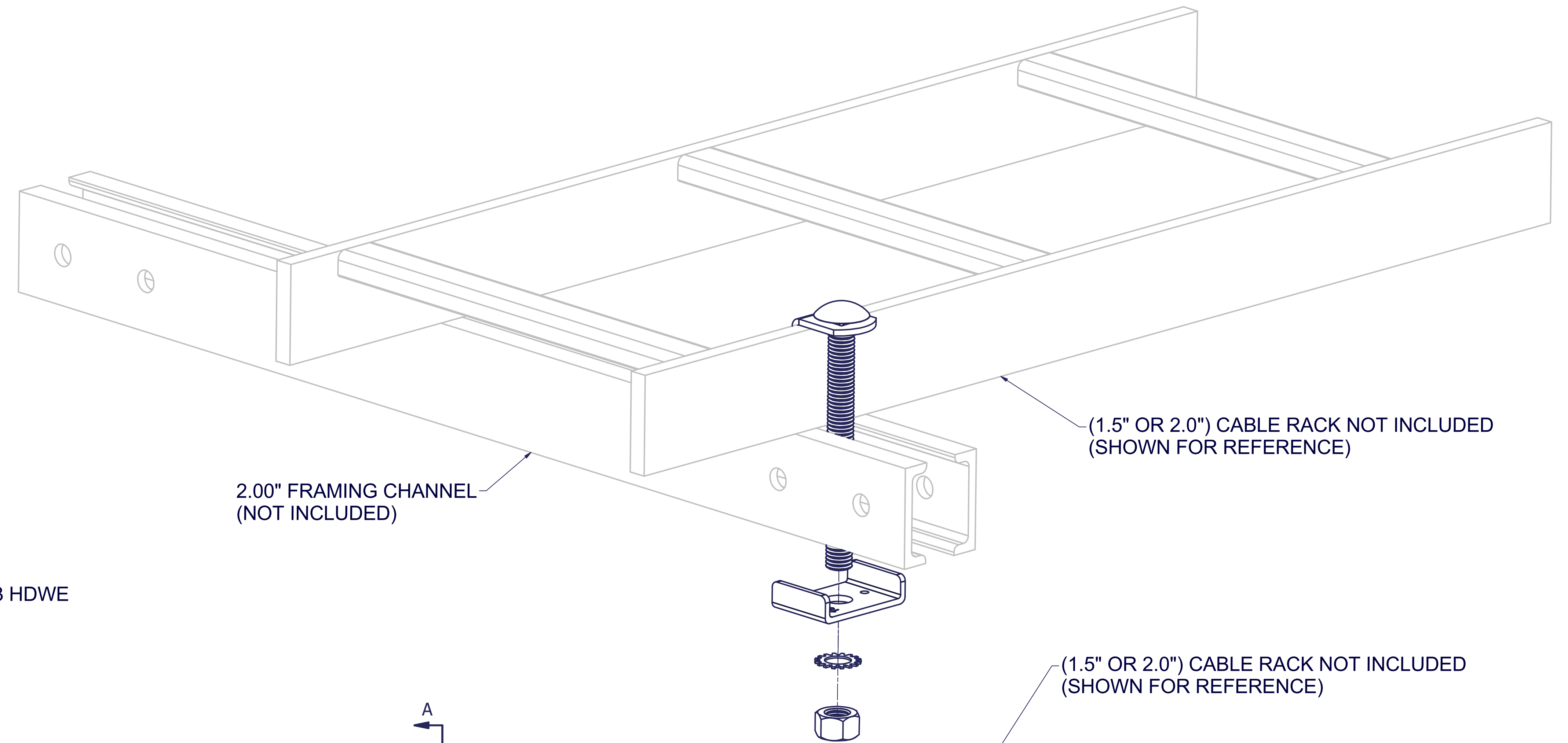
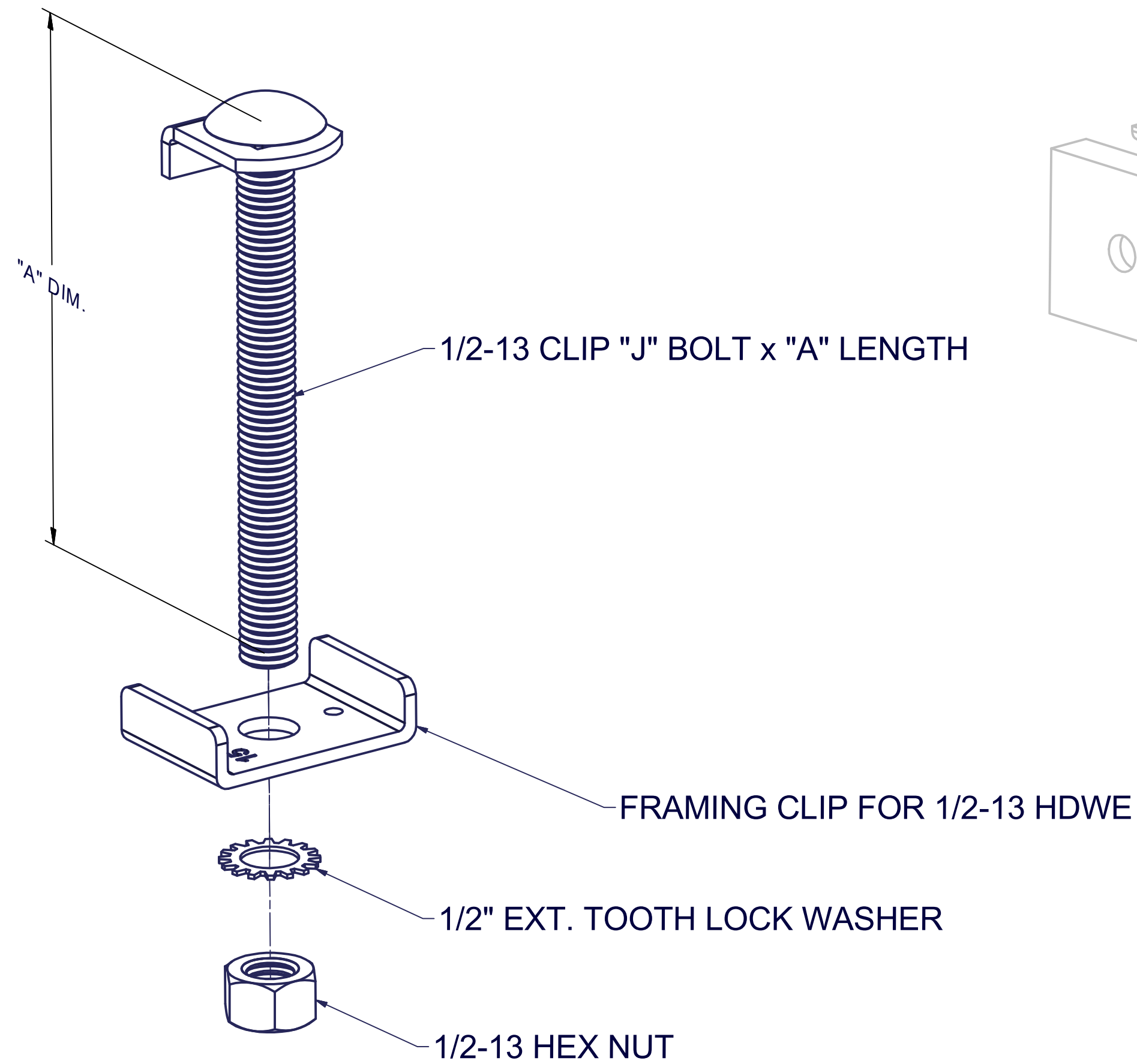


REVISION HISTORY			
REV	DESCRIPTION	DATE	APPROVED
0	ECO-08001	10/28/2020	HM



SECTION A/A

PART NUMBER	DESCRIPTION	"A" DIM
GL-JBCK1.5	J BOLT CLIP ASSEMBLY KIT - 1.50"[38.1mm] CR TO 1.50"[38.1mm] AUX. CHANNEL - ZINC YELLOW	4.38"[111.2mm]
GL-JBCK2.0	J BOLT CLIP ASSEMBLY KIT - 2.00"[50.8mm] CR TO 2.00"[50.8mm] AUX. CHANNEL - ZINC YELLOW	4.88"[124mm]

EST. WEIGHT :  
N/A

THIRD ANGLE PROJECTION

INTERPRET DRAWING PER ASME Y14.5M-1994  
 DIMENSIONAL LIMITS APPLY AFTER APPLICATION OF FINISH  
 DRAWING NOT TO SCALE  
 TOLERANCE UNLESS OTHERWISE NOTED:  
 ANGULAR +/- .1"  
 .XXXX +/- .010  
 .XXX +/- .015  
 .XX +/- .030  
 .X FOR REF. ONLY  
 UNLESS OTHERWISE SPECIFIED ALL DIMENSIONS ARE IN INCHES

**NOTICE:**  
 Use of this document is subject to a confidentiality and nondisclosure agreement with Great Lakes Data Racks & Cabinets and may not be reproduced, disclosed or utilized in whole or in part without prior written authorization from Great Lakes.  
 Product specification, price & availability are subject to change without prior notice.

PART NUMBER:  
**SEE CHART**  
 MATERIAL TYPE:  
**STEEL**  
 MATERIAL GAUGE:  
 FINISH:  
**ZINC YELLOW**  
 DRAWN: henrym  
 CHECKED & APP.: CND  
 DATE: 11/2/2020  
 DATE: 10/28/20

TITLE:  
**J BOLT CLIP ASSEMBLY KIT - X.XX" CR TO X.XX" AUX. CHANNEL - ZINC YELLOW**  
**GREAT LAKES DATA RACKS & CABINETS**  
 P.O. BOX 551 EDINBORO, PA 16412  
 PHONE (814) 734-7303 FAX (814) 734-3907  
 E-MAIL info@greatcabinets.com  
 DWG NO:  
**1032871**  
 REV: **0**  
 SHEET: 1 OF 1