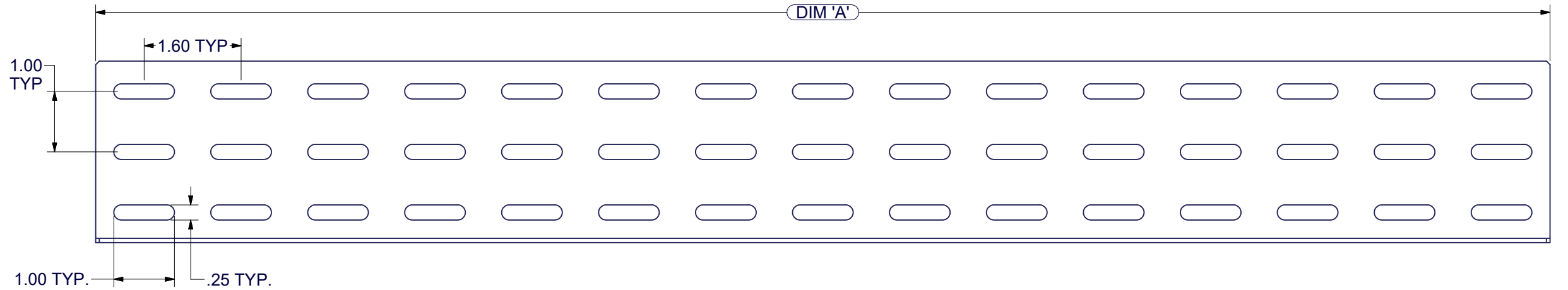
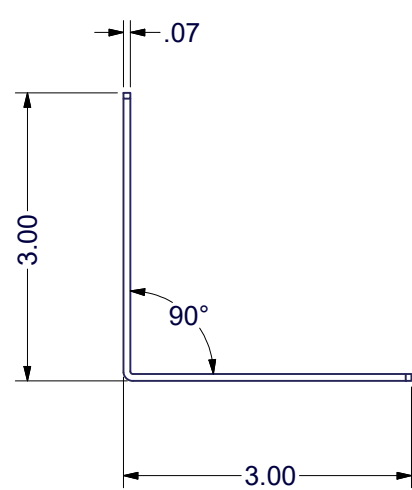
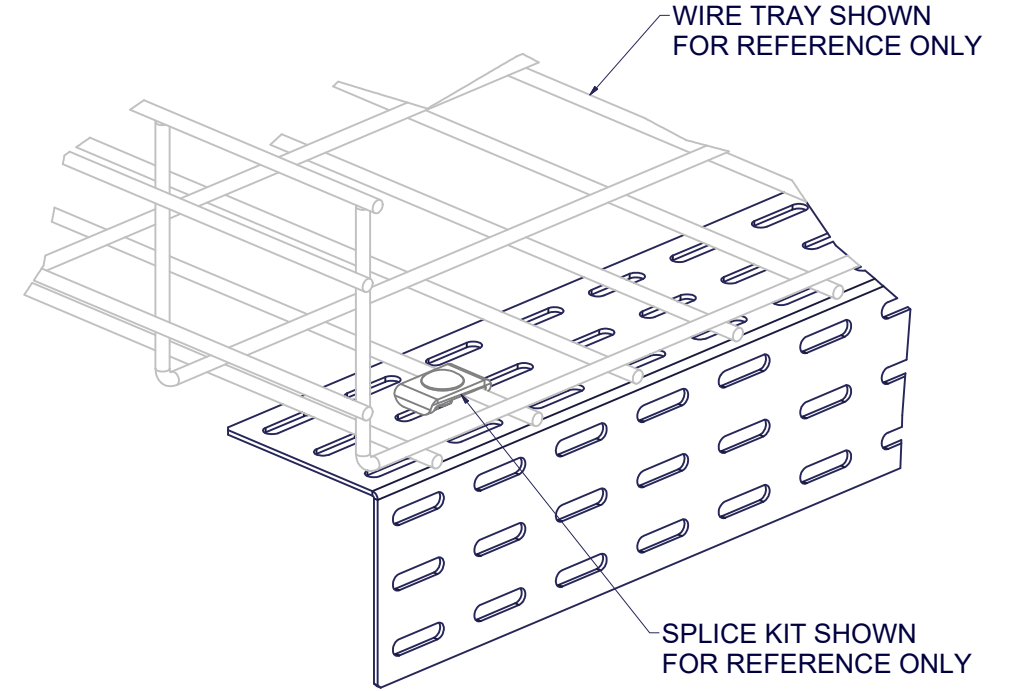
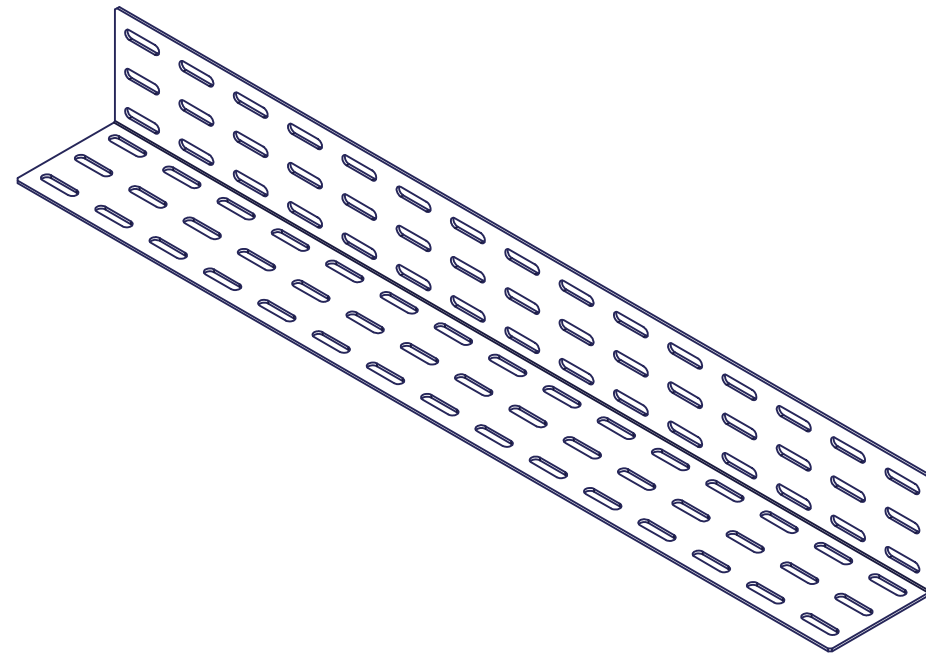


REVISION HISTORY			
REV	DESCRIPTION	DATE	APPROVED
0	ECO-07965	8/24/20	CND

**SPECIFICATIONS:**

COLOR: DURABLE TEXTURED BLACK POWDER COATING



PARTS LIST		
PART NUMBER	DESCRIPTION	DIM 'A'
GL-TERM-SUPT-18	WALL ANGLE TERMINATION SUPPORT BRACKET FOR 18" BASKET TRAY	17.6
GL-TERM-SUPT-24	WALL ANGLE TERMINATION SUPPORT BRACKET FOR 24" BASKET TRAY	24.0



INTERPRET DRAWING PER ASME Y14.5M-1994
DIMENSIONAL LIMITS APPLY AFTER APPLICATION OF FINISH
DRAWING NOT TO SCALE
TOLERANCE UNLESS OTHERWISE NOTED:
ANGULAR +/- .1°
.XXXX +/- .010
.XXX +/- .015
.XX +/- .030
.X FOR REF. ONLY
UNLESS OTHERWISE SPECIFIED ALL DIMENSIONS ARE IN INCHES

**NOTICE:**

Use of this document is subject to a confidentiality and nondisclosure agreement with Great Lakes Data Racks & Cabinets and may not be reproduced, disclosed or utilized in whole or in part without prior written authorization from Great Lakes.

PART NUMBER:	SEE CHART
MATERIAL TYPE:	CRS
MATERIAL GAUGE:	0.072 in
FINISH:	POWDER
DRAWN	DATE
CaiusD	8/24/2020
CHECKED & APP.	DATE
CND	8/24/20

TITLE	WALL ANGLE TERMINATION SUPPORT BRACKET FOR XX" BASKET TRAY
GREAT LAKES DATA RACKS & CABINETS	
P.O. BOX 551 EDINBORO, PA 16412	
PHONE (814) 734-7303 FAX (814) 734-3907	
E-MAIL info@greatcabinets.com	
DWG NO:	REV
1032566	0
SHEET: 1 OF 1	