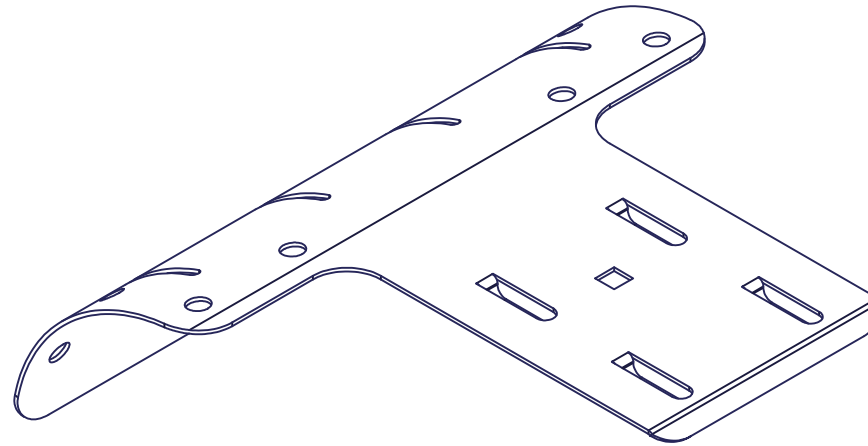
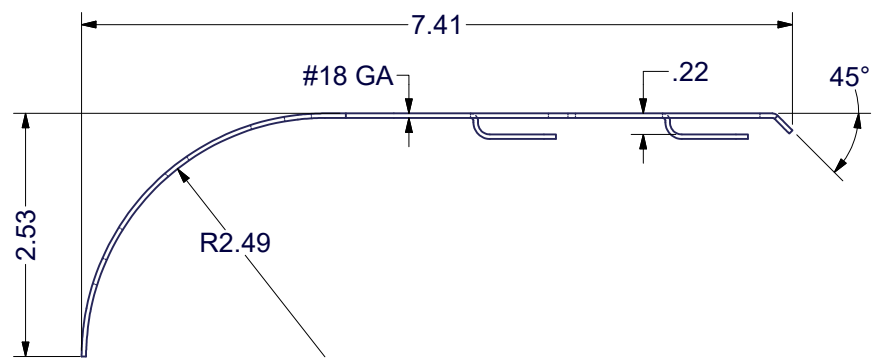
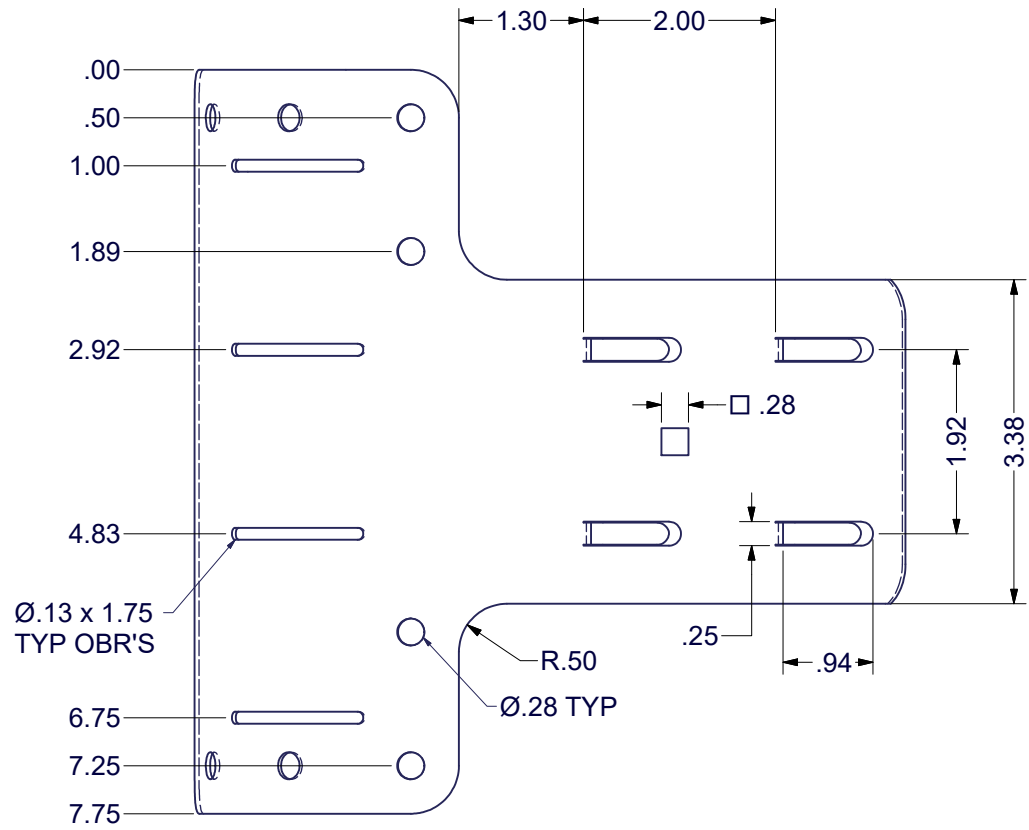
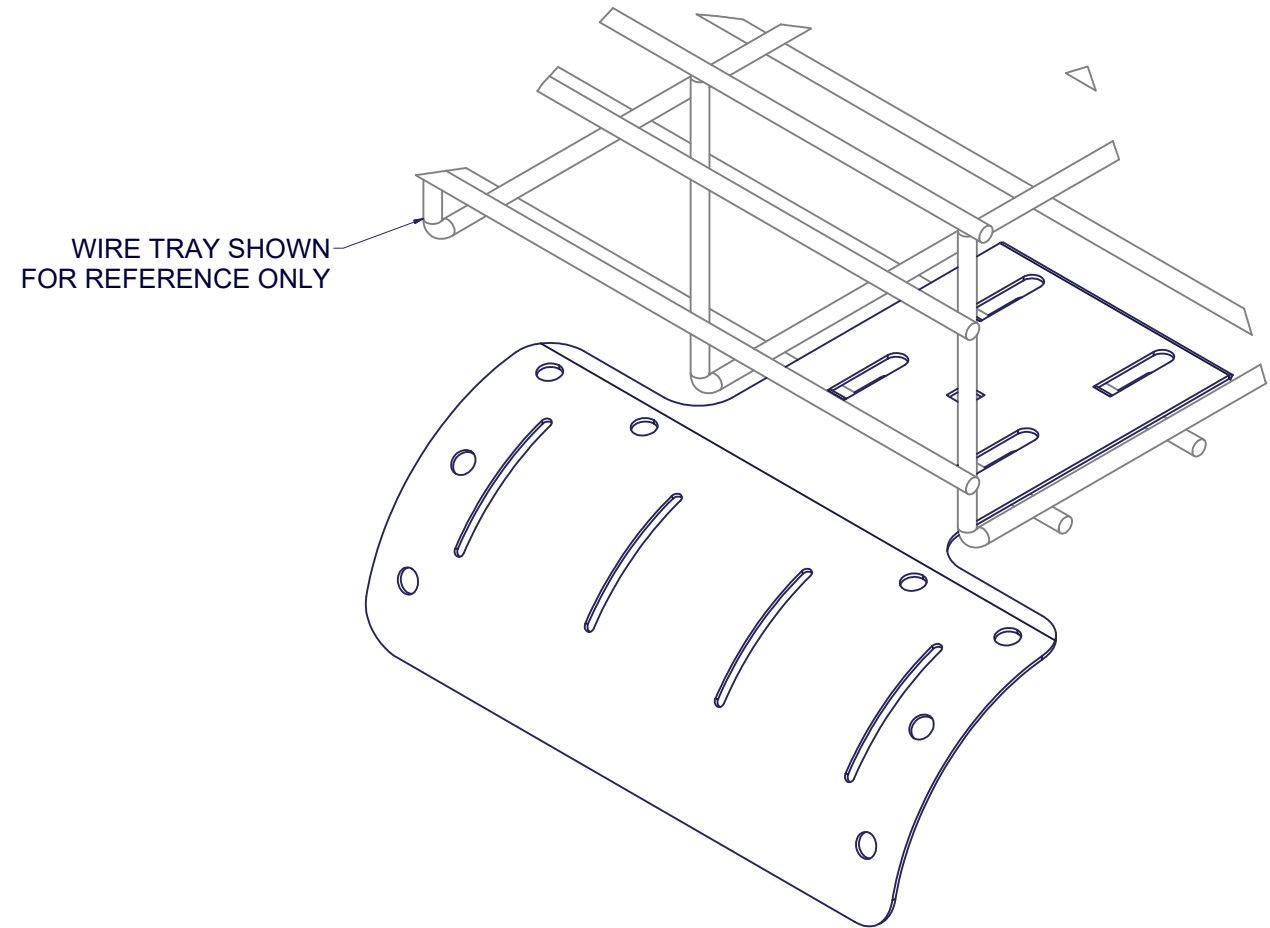


| REVISION HISTORY |             |          |          |
|------------------|-------------|----------|----------|
| REV              | DESCRIPTION | DATE     | APPROVED |
| 0                | ECO-07965   | 9/4/2020 | VL       |



TOP ISO VIEW



EST. WEIGHT :  
N/A



INTERPRET DRAWING PER ASME Y14.5M-1994  
DIMENSIONAL LIMITS APPLY  
AFTER APPLICATION OF FINISH  
DRAWING NOT TO SCALE  
TOLERANCE UNLESS OTHERWISE NOTED:  
ANGULAR +/- 1°  
.XXXX +/- .010  
.XXX +/- .015  
.XX +/- .030  
.X FOR REF. ONLY  
UNLESS OTHERWISE SPECIFIED  
ALL DIMENSIONS ARE IN INCHES

**NOTICE:**

Use of this document is subject to a confidentiality and nondisclosure agreement with Great Lakes Data Racks & Cabinets and may not be reproduced, disclosed or utilized in whole or in part without prior written authorization from Great Lakes.

PART NUMBER:  
GL-WBT-CD  
MATERIAL TYPE:  
CRS  
MATERIAL GAUGE:  
0.047 in  
FINISH:  
GALV  
DRAWN  
VL  
CHECKED & APP.  
CND  
DATE  
9/8/2020  
DATE  
9/14/20

TITLE  
CABLE TRAY DROP OUT CABLE BEND RADIUS  
7.75"W  
GREAT LAKES DATA RACKS & CABINETS  
P.O. BOX 551 EDINBORO, PA 16412  
PHONE (814) 734-7303 FAX (814) 734-3907  
E-MAIL info@greatcabinets.com  
DWG NO:  
1032570  
REV  
0  
SHEET: 1 OF 1