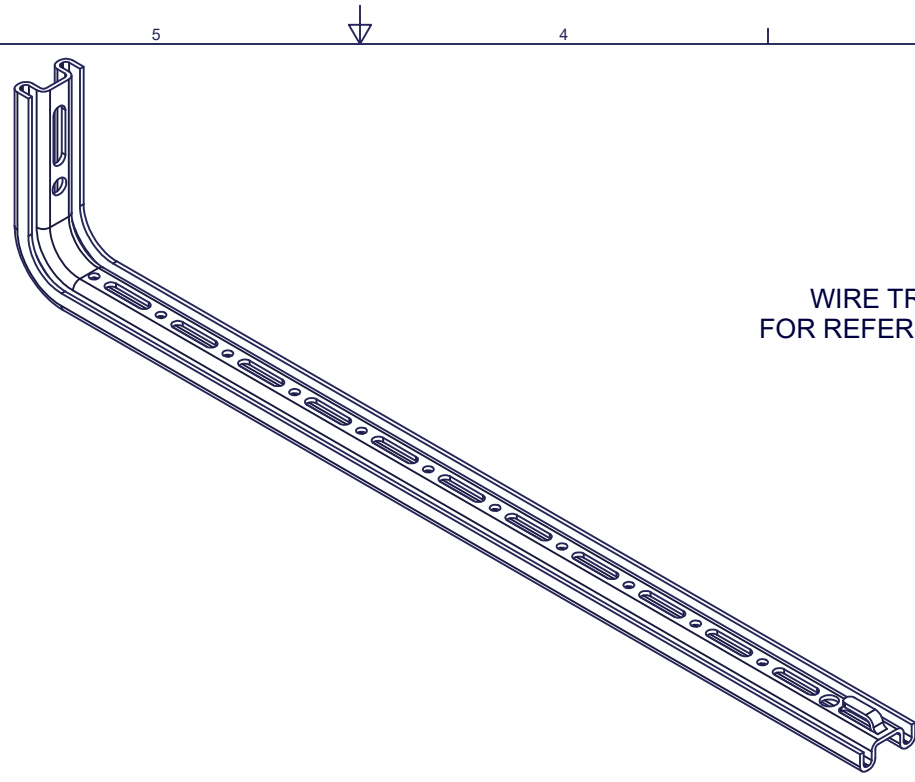
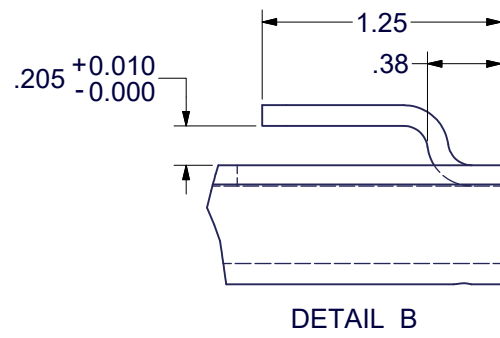
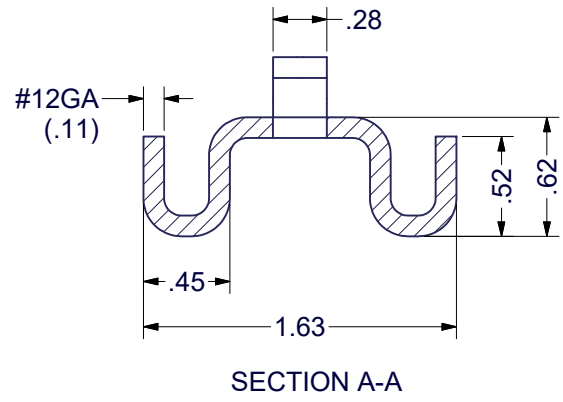
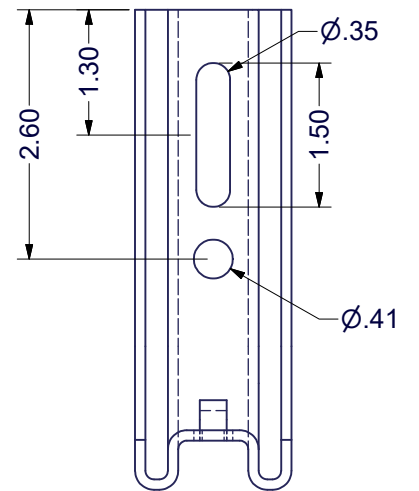
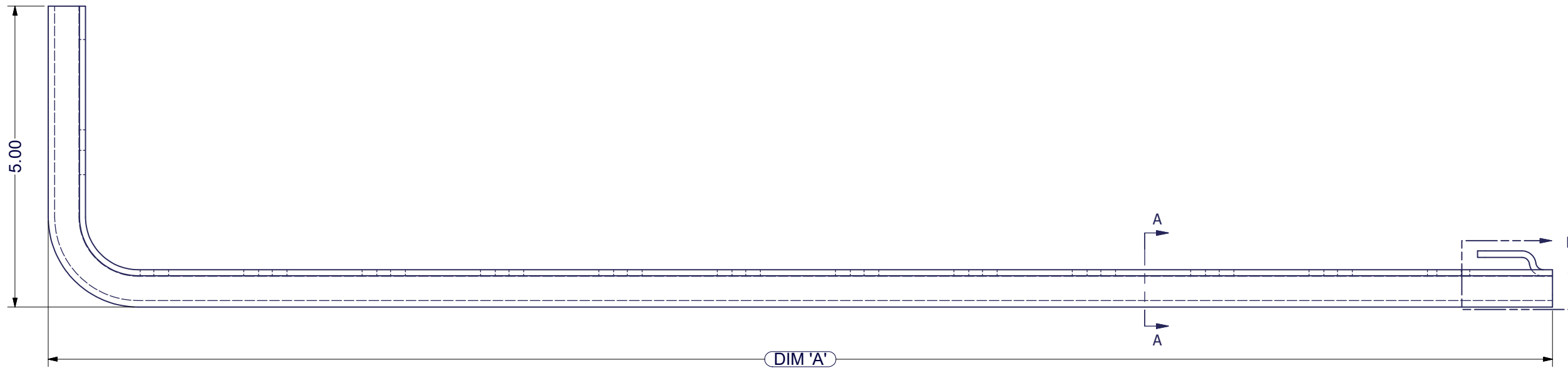
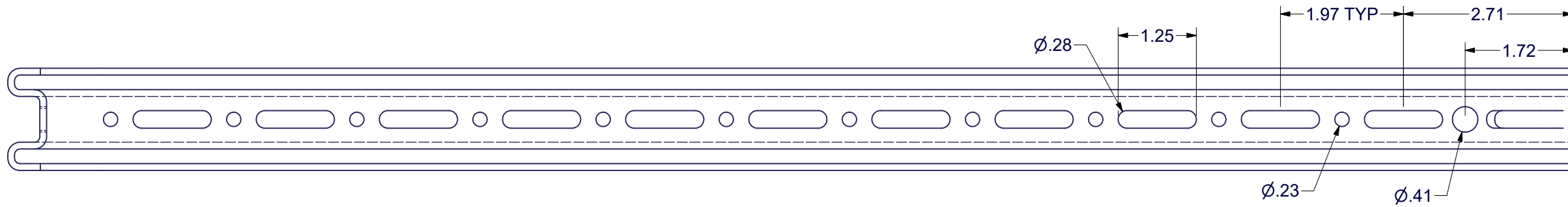
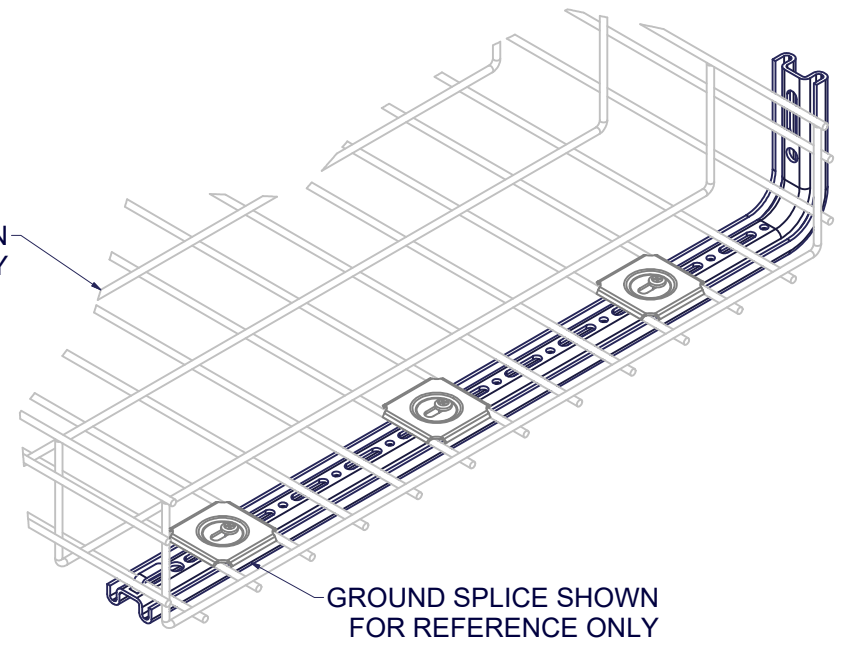


REVISION HISTORY			
REV	DESCRIPTION	DATE	APPROVED
0	ECO-07965	9/4/2020	VL



WIRE TRAY SHOWN FOR REFERENCE ONLY



PARTS LIST		
PART NUMBER	DESCRIPTION	DIM 'A'
GL-WBT-LBRKT18	CABLE TRAY SUPPORT FOR WALLMOUNT L-BRACKET FOR 18" TRAY	19.2
GL-WBT-LBRKT24	CABLE TRAY SUPPORT FOR WALLMOUNT L-BRACKET FOR 24" TRAY	25.0



INTERPRET DRAWING PER ASME Y14.5M-1994
DIMENSIONAL LIMITS APPLY AFTER APPLICATION OF FINISH
DRAWING NOT TO SCALE
TOLERANCE UNLESS OTHERWISE NOTED:
ANGULAR +/- 1°
.XXXX +/- .010
.XXX +/- .015
.XX +/- .030
.X FOR REF. ONLY
UNLESS OTHERWISE SPECIFIED ALL DIMENSIONS ARE IN INCHES

NOTICE:

Use of this document is subject to a confidentiality and nondisclosure agreement with Great Lakes Data Racks & Cabinets and may not be reproduced, disclosed or utilized in whole or in part without prior written authorization from Great Lakes.

PART NUMBER:
GL-WBT-LBRKTxx
MATERIAL TYPE:
CRS
MATERIAL GAUGE:
FINISH:
GALV.
DRAWN:
VL
CHECKED & APP.
CND
DATE:
9/9/2020
DATE:
9/14/20

TITLE
CABLE TRAY SUPPORT FOR WALLMOUNT L-BRACKET FOR XX" TRAY
GREAT LAKES DATA RACKS & CABINETS
P.O. BOX 551 EDINBORO, PA 16412
PHONE (814) 734-7303 FAX (814) 734-3907
E-MAIL info@greatcabinets.com
DWG NO:
1032572
REV
0
SHEET: 1 OF 1