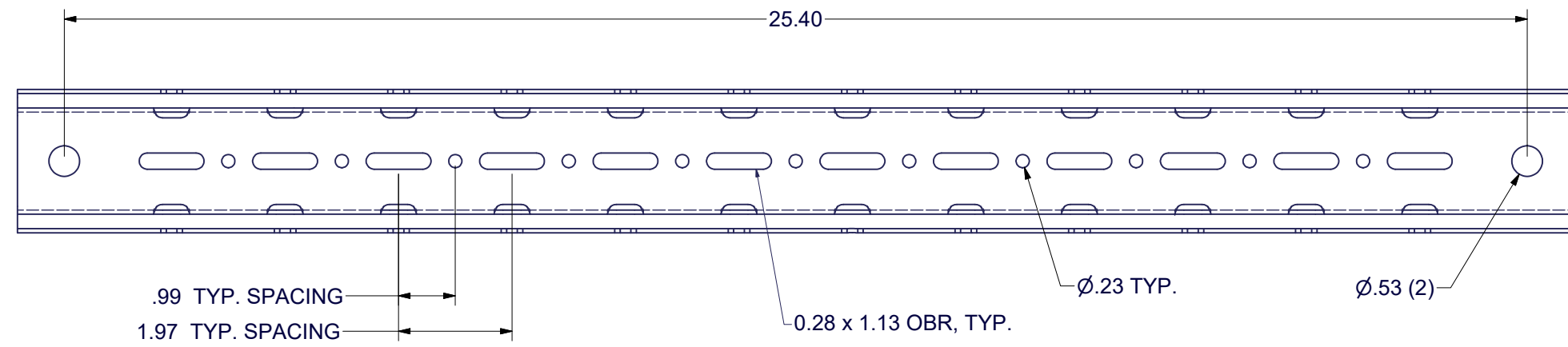
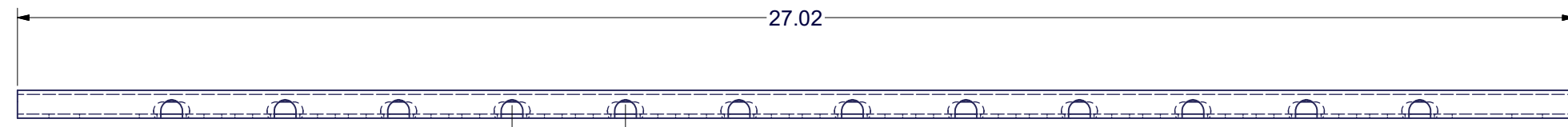
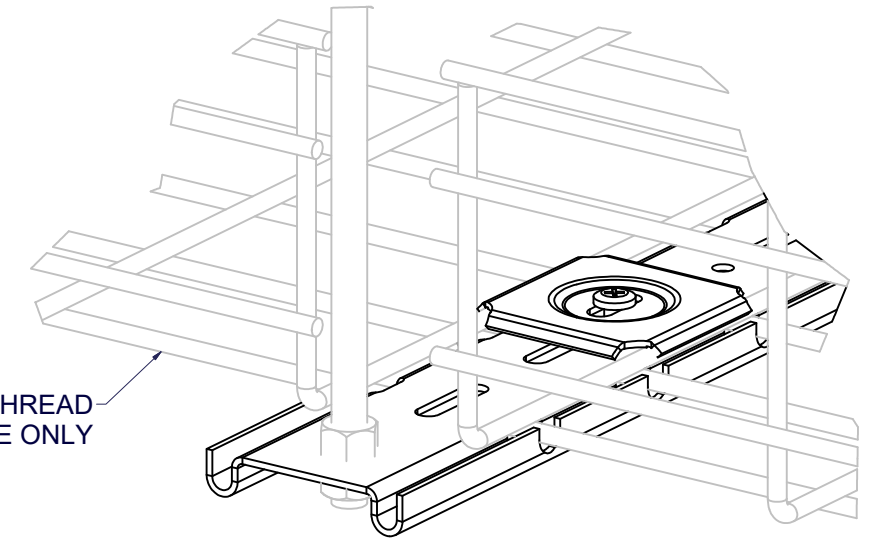
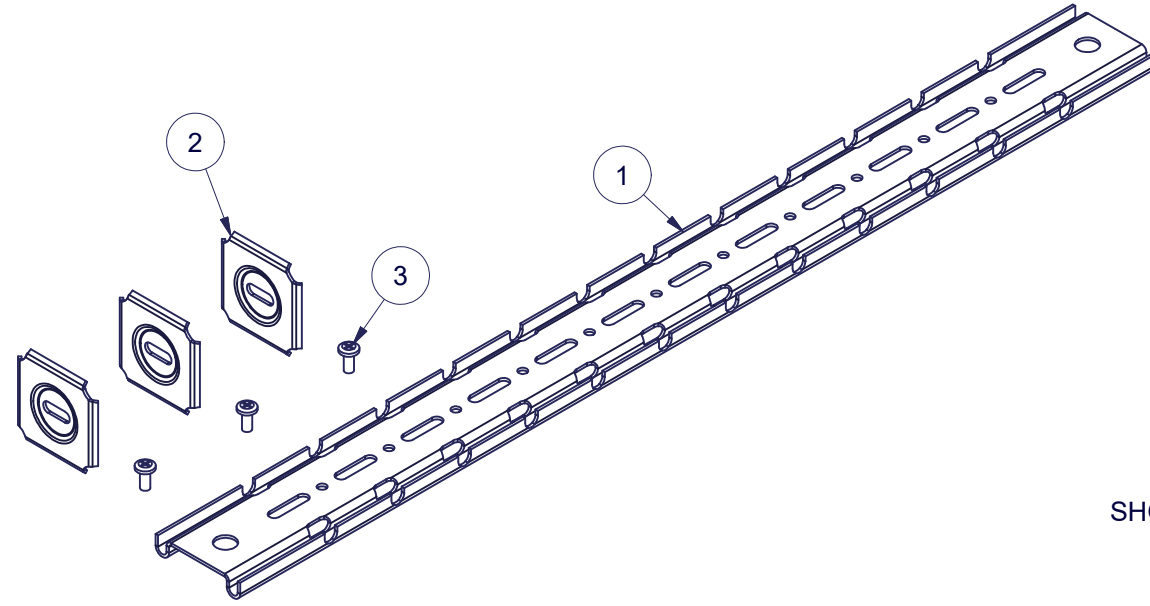


REVISION HISTORY			
REV	DESCRIPTION	DATE	APPROVED
0	ECO-07965	9/2/20	CND

Bill of Material			
ITEM	DESCRIPTION	QTY	FILE NAME
1	CEILING MOUNT SUPPORT BRACKET FOR 24" TRAY	1	CEILING SUPPORT.ipt
2	SUPPORT PLATE	3	WASHER SUPPORT.ipt
3	#12-24 x 1/2"L PAN HEAD PHIL TYPE 23 , ZINC PL.	3	H01-080.ipt

SPECIAL NOTES:

1) PART NUMBER INCLUDES KIT OF PARTS



EST. WEIGHT :
N/A



INTERPRET DRAWING PER ASME Y14.5M-1994
DIMENSIONAL LIMITS APPLY AFTER APPLICATION OF FINISH
DRAWING NOT TO SCALE
TOLERANCE UNLESS OTHERWISE NOTED:
ANGULAR +/- 1°
.XXXX +/- .010
.XXX +/- .015
.XX +/- .030
.X FOR REF. ONLY
UNLESS OTHERWISE SPECIFIED ALL DIMENSIONS ARE IN INCHES

NOTICE:

Use of this document is subject to a confidentiality and nondisclosure agreement with Great Lakes Data Racks & Cabinets and may not be reproduced, disclosed or utilized in whole or in part without prior written authorization from Great Lakes.

PART NUMBER:
GL-WBT-NS-CS24
MATERIAL TYPE:
STEEL
MATERIAL GAUGE:
FINISH:
ZINC
DRAWN
CAI/USD
CHECKED & APP.
CND

TITLE
CENTER CABLE TRAY SUPPORT FOR THREADED ROD CEILING MOUNT SUPPORT FOR 24" TRAY
GREAT LAKES DATA RACKS & CABINETS
P.O. BOX 551 EDINBORO, PA 16412
PHONE (814) 734-7303 FAX (814) 734-3907
E-MAIL info@greatcabinets.com
DWG NO:
1032561
REV
0
SHEET: 1 OF 1