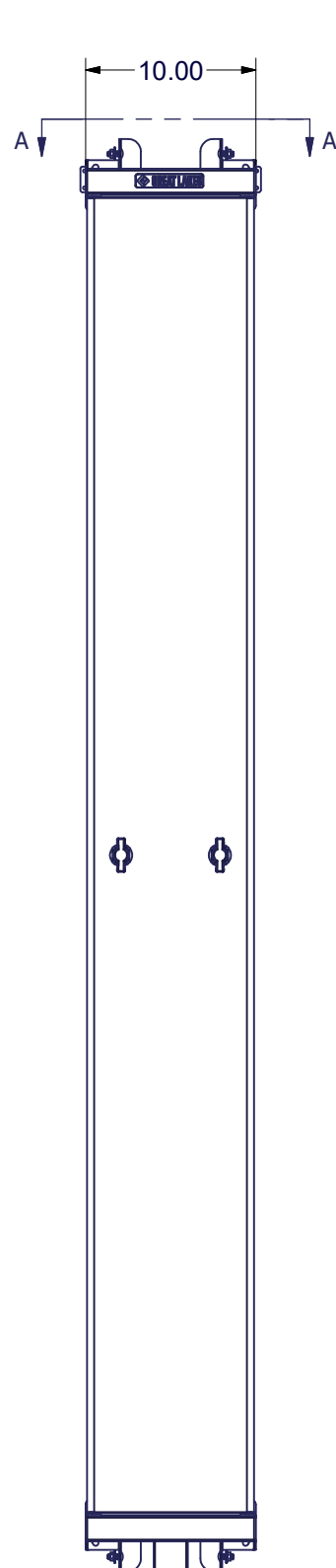
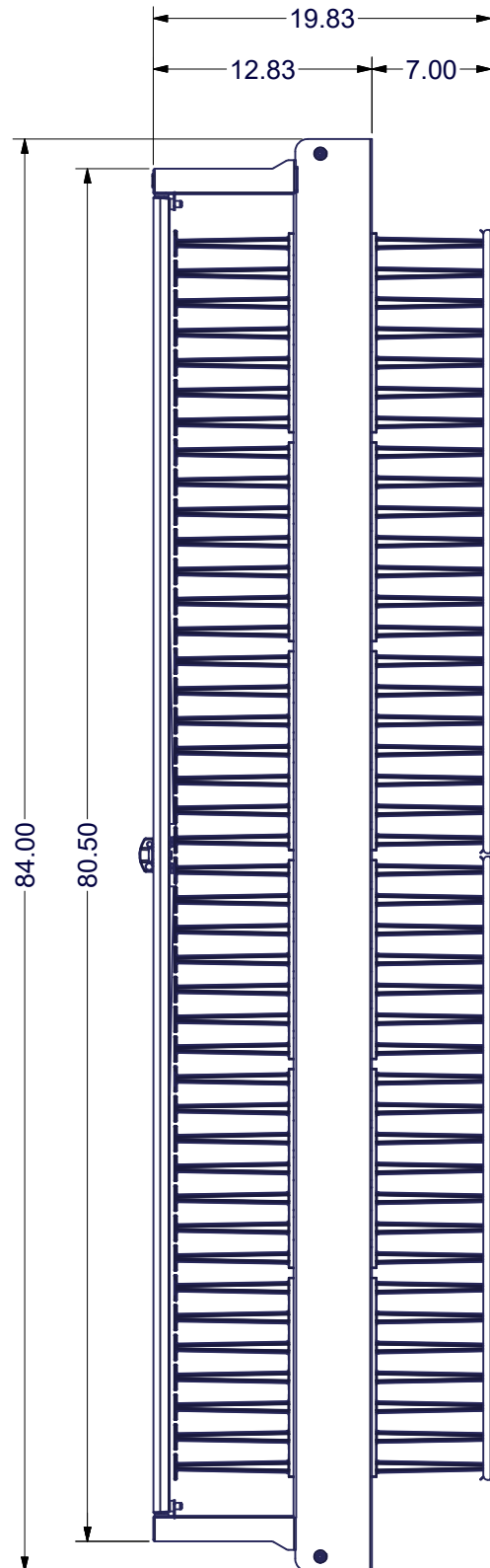


REVISION HISTORY			
REV	DESCRIPTION	DATE	APPROVED
0	-	2/6/20	CND
1	-	3/16/20	CND
2	-	3/30/20	CND

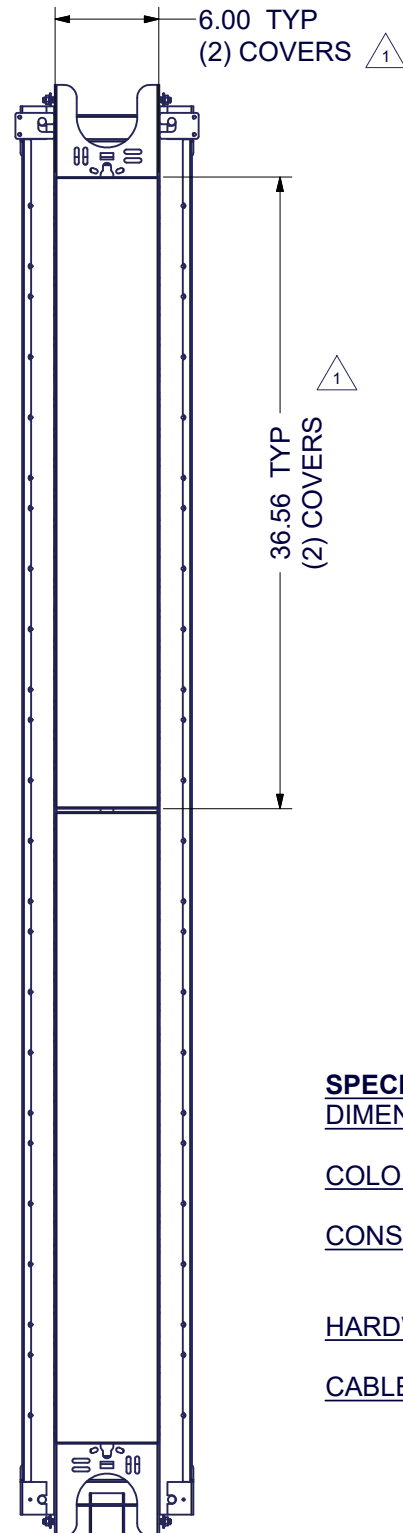


FRONT VIEW

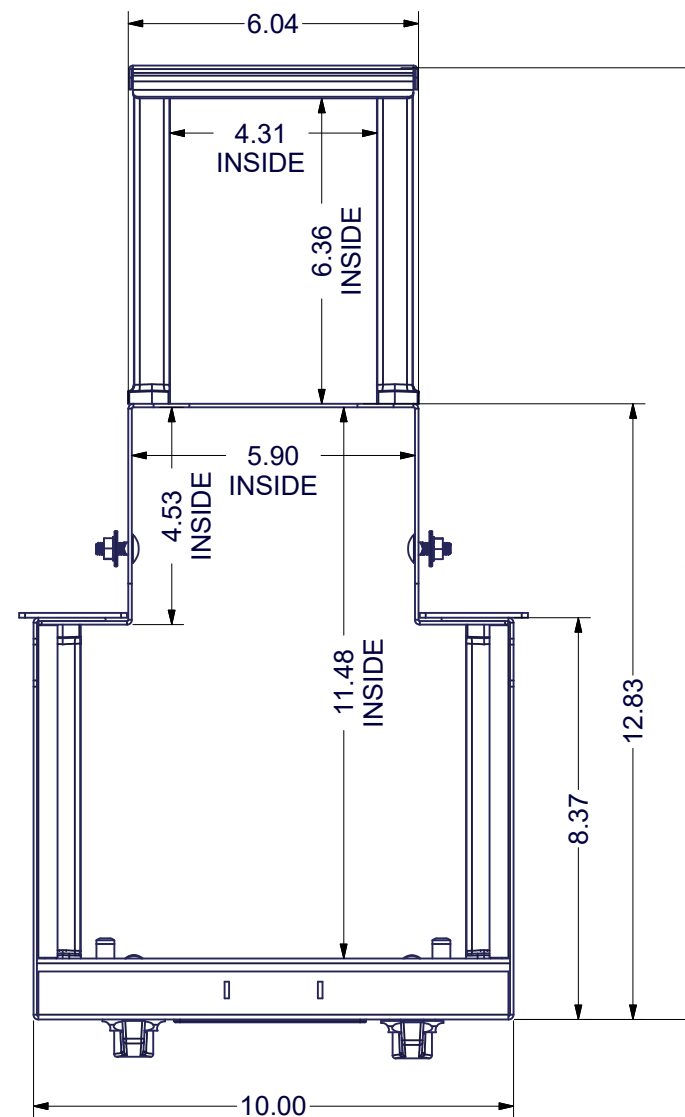


SIDE VIEW

1.75 FLOATING OFF THE FLOOR



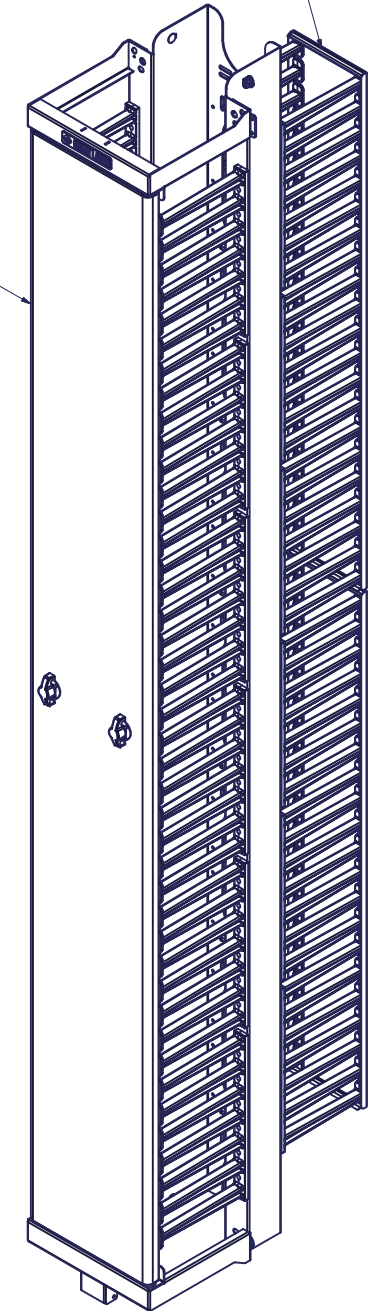
REAR VIEW



VIEW A-A  
TOP VIEW

(2) LIFT OFF REAR COVERS

DUAL HINGED FRONT DOOR



**SPECIFICATIONS:**

**DIMENSIONS:** 84.0"H x 10.0"W FRONT/ 6"W REAR x 19.8"D (12.8" FRONT/ 7"D REAR)

**COLOR:** DURABLE TEXTURED BLACK OR WHITE POWDER COATING

**CONSTRUCTION :** #14 GA. C.R.S. BODY, #20 GA. C.R.S. DOOR & #20 GA. C.R.S. LIFT OFF REAR COVERS

**HARDWARE:** CABLE MANAGMENT FINGERS FULLY ASSEMBLED

**CABLE FILL:** FRONT OF CABLE MANAGER : 82.5 SQUARE INCHES;  
Ø.155 CABLE @ 100% = 4372 CABLES (1748 @ 40%)

REAR OF CABLE MANAGER : 27.4 SQUARE INCHES;  
Ø.222 CABLE @ 100% = 707 CABLES (495 @ 70%)

EST. WEIGHT :  
66.9lb



INTERPRET DRAWING PER ASME Y14.5M-1994  
DIMENSIONAL LIMITS APPLY  
AFTER APPLICATION OF FINISH  
DRAWING NOT TO SCALE  
TOLERANCE UNLESS OTHERWISE NOTED:  
ANGULAR +/- .1°  
.XXXX +/- .010  
.XXX +/- .015  
.XX +/- .030  
.X FOR REF. ONLY

UNLESS OTHERWISE SPECIFIED  
ALL DIMENSIONS ARE IN INCHES

**NOTICE:**

Use of this document is subject to a confidentiality and nondisclosure agreement with Great Lakes Case & Cabinet Co., Inc. (GLCC) and may not be reproduced, disclosed or utilized in whole or in part without prior written authorization from GLCC.

PART NUMBER:	VCMX45U1012FR
MATERIAL TYPE:	CRS
MATERIAL GAUGE:	
FINISH:	POWDERCOAT
DRAWN:	DATE: 2/27/2020
CAL/USD:	DATE: 2/27/2020
CHECKED & APP.:	DATE: 2/5/20
WSS:	

TITLE:	RECESSED FRONT & REAR 45U X 10"W VERTICAL CABLE MANAGER, VENDOR LEVEL ASSEMBLY
GREAT LAKES CASE & CABINET CO., INC. P.O. BOX 551 EDINBORO, PA 16412 PHONE (814) 734-7303 FAX (814) 734-3907 E-MAIL glcc@greatcabinets.com	
DWG NO:	1032105-FR
REV:	2
SHEET:	1 OF 1